

# Type 4X Fiberglass Enclosures

## Wall-Mount Enclosures Type 4X Double-Door Data Sheet



### Application

- Houses electrical, electronic, instrument, and mechanical controls
- Intended for indoor or outdoor use
- Ideally suited for harsh environments
- Protects against corrosion, windblown dust and rain, splashing water, and hose directed water

### Standards

- UL/cUL 50 Listed, Type 1, Type 3, Type 3R, Type 4X, Type 12
- Conforms to NEMA Standard for Type 1, Type 3, Type 3R, Type 4X, Type 12
- CSA 22.2, Type 1, Type 3, Type 3R, Type 4X, Type 12
- Temperature Range: -40°F to 250°F (-40°C to 120°C)
- Flammability Rating: UL94-5V
- Self Extinguishing: Non-flame propagating
- Chemical Resistance: (see chart, pages 458 - 461)

### Finish

- Gray color

### Accessories

- Back Panels (pages 290 - 291)
- See accessories (pages 292 - 293)

### Construction

- Enclosures are an impact resistant, non-conductive, light-weight hot compression molded fiberglass reinforced polyester
- Poured polyurethane seamless gasket provides watertight, dust-tight environmental seal
- Twist lock latches provide ease of entry into enclosure
- 300 series stainless steel used on all external hardware
- Integral mounting feet molded in place for ease of mounting
- Integral mounting bosses utilize threaded brass inserts accepting #10-32 screws for mounting optional panel
- Rounded edges reduce build-up of dust and debris
- Full length stainless steel hinged cover
- Built in padlock hasp provide optional secure closure locking (padlock not included)

### Discount Schedule: F2

### Subclass: G00

**Notes:** Cooper B-Line can provide special modifications. Consult the factory for your special requirements.

# Type 4X Fiberglass Enclosures

## Wall-Mount Enclosures Type 4X Double-Door Illustration Sheet and Data Sheet

Enclosure Catalog #	Overall Dimensions		Inside Dimensions		Dimensions												Panel Number						
	H x W x D		A x B x C		E		F		J		K		L		M			N					
	in.	mm	in.	mm	in.	mm	in.	mm	in.	mm	in.	mm	in.	mm	in.	mm		in.	mm				
364812-4XFD	39.50	48.50 x 13.62	1003	1232 x 346	36.12	48.12 x 13.00	917	1222 x 330	38.25	972	40.50	1029	11.94	303	14.50	368	20.00	508	32.00	813	20.75	527	*

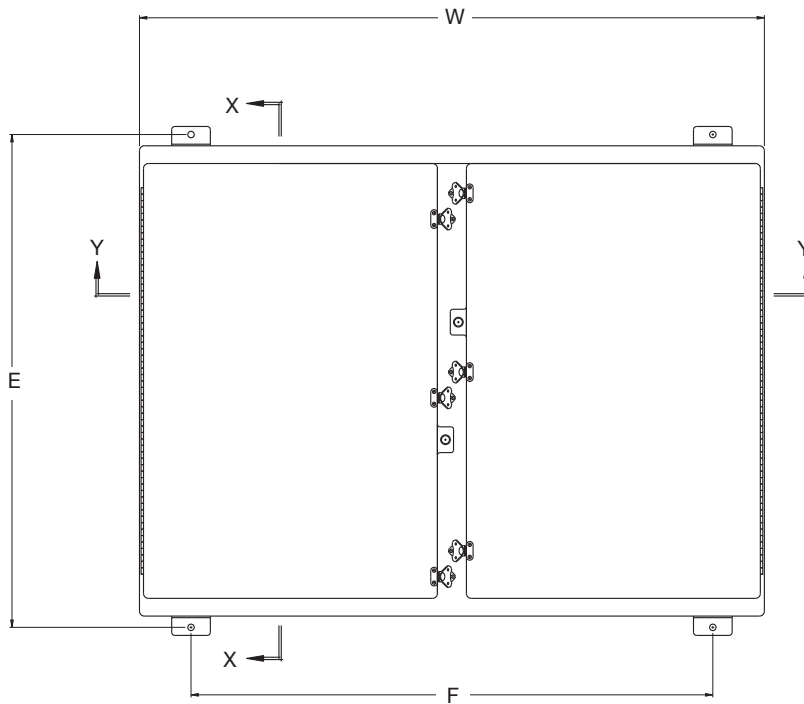
\* When ordering steel, stainless steel, or aluminum panels (AWF3622 \_\_), the part number includes only one (1) panel - two (2) may be required

### Panel Finishes

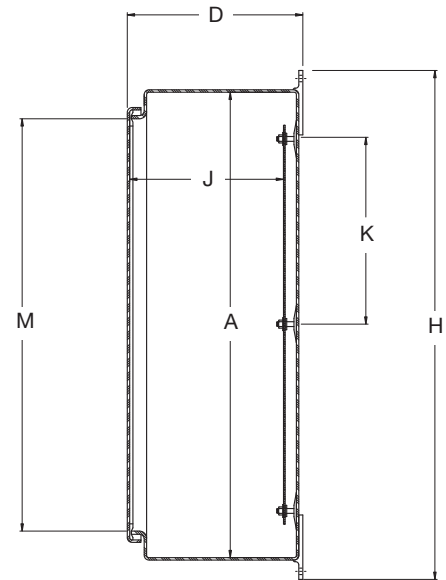
Example: AW108\_\_

Insert for \_\_

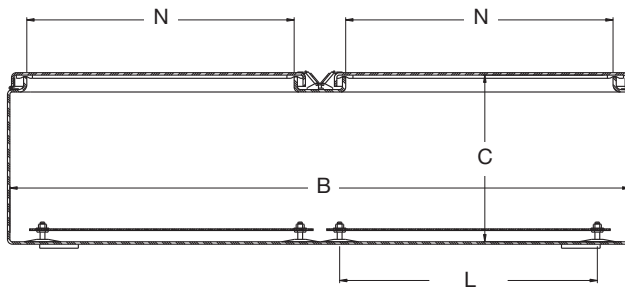
P = Carbon Steel  
SP = Stainless Steel  
AP = Aluminum



Front View



Section X-X



Section Y-Y

**Notes:** Dimensions are in inches. Millimeters shown are for reference only. Data subject to change without notice.