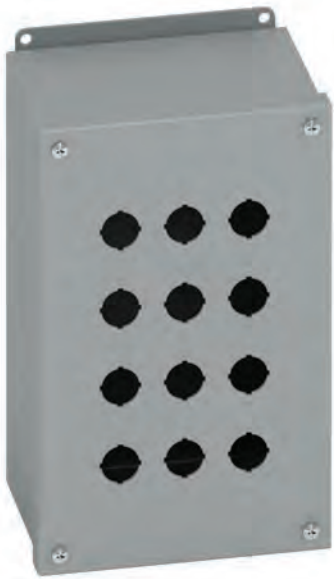


Operator Enclosures

Pushbutton Enclosures Type 12 Miniature - 22.5 mm Data and Illustration Sheet

Operator Enclosures



Application

- Designed to mount miniature 22.5 mm oil-tight pushbuttons, pilot lights and switches
- Protects against circulating dust, falling dirt and dripping non-corrosive liquids

Standards

- UL 508 listed, Type 12 and Type 13
- CSA C22.2 No.94 certified, Type 12 and Type 13
- Conforms to NEMA standard for Type 12 and Type 13
- Conforms to JIC standard EGP-1-1967

Finish

- Wash and phosphate undercoat
- ANSI 61 gray polyester powder finish

Accessories

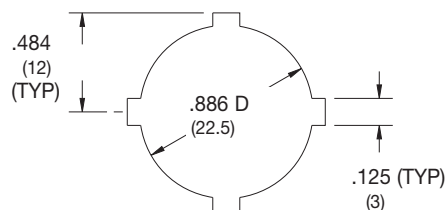
- Hole seals
- Columns and bases
- Touch-up paint
- See accessories section

Construction

- Enclosure and cover are fabricated from (14) gauge steel
- All continuous welded seams are finished smooth
- Cover is attached with captive screws which thread into sealed well nuts
- Covers more than 2.75 inches wide have concealed, detachable hinges which allow for quick removal and can be hinged on either side
- Cover has a fixed oil-resistant gasket
- Weldnut in body of enclosure for grounding
- Cover is pre-punched with miniature 22.5 mm “4-way” pushbutton holes
- External mounting feet are provided for secure wall mounting

Discount Schedule: C2

Subclass: DPO



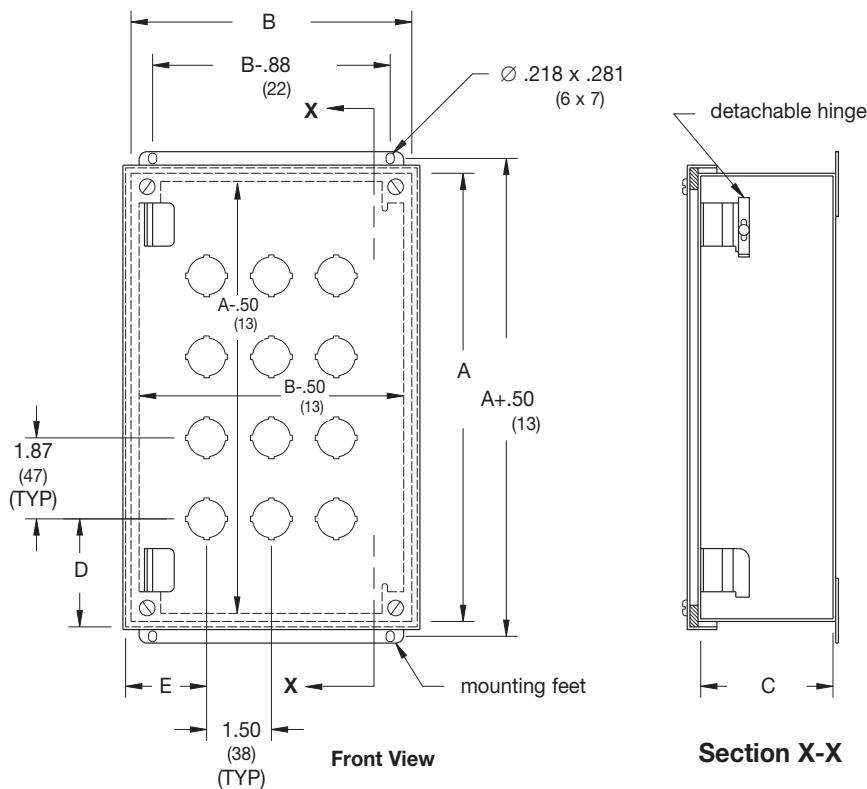
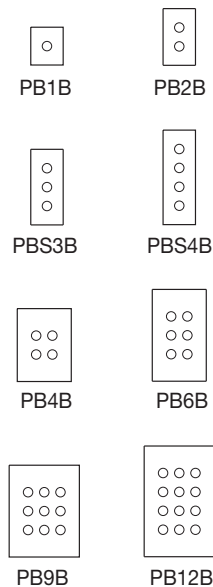
Miniature 4-Way

Notes: Cooper B-Line can provide special sizes, finishes and other holes and cutouts, see page 352.
Consult the factory for your special requirements.

Pushbutton Enclosures Type 12 Miniature - 22.5 mm Illustration Sheet and Catalog Number

| Enclosure Catalog Number | Holes | Enclosure Size | | D | | E | |
|-----------------------------|-------|------------------------|-----------------|------|----|------|----|
| | | Height x Width x Depth | | | | | |
| | | A x B x C | | in. | mm | in. | mm |
| PB1B* | 1 | 3.25 x 2.75 x 3.50 | 83 x 70 x 89 | 1.75 | 44 | 1.50 | 38 |
| PB2B* | 2 | 5.12 x 2.75 x 3.50 | 130 x 70 x 89 | 1.75 | 44 | 1.50 | 38 |
| PBS3B* | 3 | 7.00 x 2.75 x 3.50 | 178 x 70 x 89 | 1.75 | 44 | 1.50 | 38 |
| PBS4B* | 4 | 8.87 x 2.75 x 3.50 | 225 x 70 x 89 | 1.75 | 44 | 1.50 | 38 |
| PB4B | 4 | 6.62 x 5.00 x 3.50 | 168 x 127 x 89 | 2.50 | 64 | 1.87 | 47 |
| PB6B | 6 | 8.50 x 5.00 x 4.25 | 216 x 127 x 108 | 2.50 | 64 | 1.87 | 47 |
| PB9B | 9 | 8.50 x 6.50 x 4.25 | 216 x 165 x 108 | 2.50 | 64 | 1.87 | 47 |
| PB12B | 12 | 10.37 x 6.50 x 4.25 | 263 x 165 x 108 | 2.50 | 64 | 1.87 | 47 |
| PB16B | 16 | 10.37 x 8.00 x 4.25 | 263 x 203 x 108 | 2.50 | 64 | 1.87 | 47 |
| PB20B | 20 | 12.25 x 8.00 x 4.25 | 311 x 203 x 108 | 2.50 | 64 | 1.87 | 47 |
| PB25B | 25 | 12.25 x 9.50 x 4.25 | 311 x 241 x 108 | 2.50 | 64 | 1.87 | 47 |
| PB30B | 30 | 14.12 x 9.50 x 4.25 | 359 x 241 x 108 | 2.50 | 64 | 1.87 | 47 |

* Enclosures are not hinged.

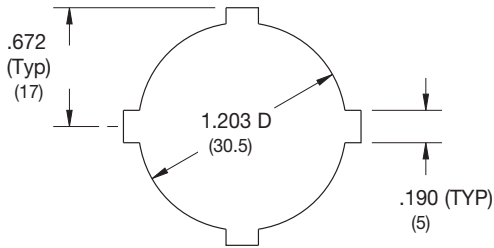


**Cover Hole
Layout**

Notes: Dimensions are in inches. Millimeters shown are for reference only. Data subject to change without notice.

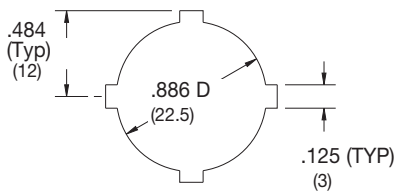
Operator Enclosures

Pushbutton Enclosures Hole and Cutout Information Illustration Sheet



Standard 4-Way (Type S4-WAY)

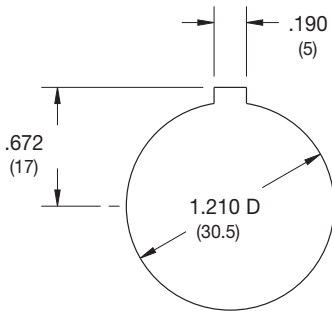
Cooper B-Line's standard 4-way pushbutton hole will accommodate all standard size pushbutton, pilot lights and selector switches. The hole is designed to orient the device and legend plate in one of four different positions. Furnished on "PB", "PBX", "PBP", "PBC", "PBCS", "PV", "PVX", "PVS" and "P" style enclosures.



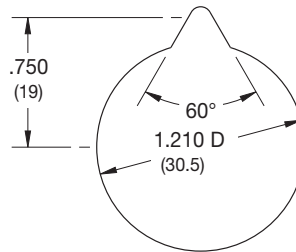
Miniature 4-Way (Type: M4-WAY)

Cooper B-Line's miniature 4-way pushbutton hole will accommodate miniature size pushbuttons, pilot lights and selector switches. The hole is designed to orient the device and legend plate in one of four different positions. Furnished on "PB-M" and "PB-B" style enclosures.

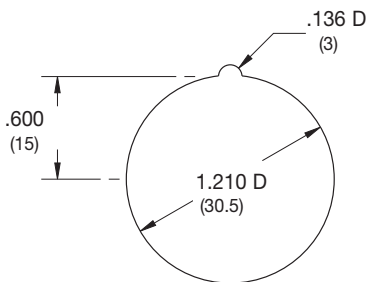
Custom Holes and Cutouts



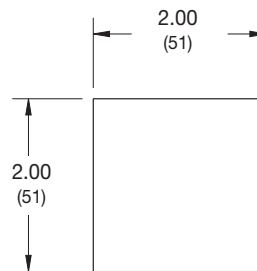
Type: C-101



Type C-102



Type: C-103



Type C-201

Notes: When specifying hole types "C-101", "C-102" and "C-103" indicate orientation of "key". Dimensions are in inches. Millimeters shown are for reference only. Data subject to change without notice.