

Operator Enclosures

Pushbutton Enclosures Type 12 Angle Front - 30.5 mm Data and Illustration Sheet

Operator Enclosures



Application

- Designed to mount standard 30.5 mm oil-tight pushbuttons, pilot lights and switches
- Designed with angle front for mounting in either 30° or 60° positions
- Protects against circulating dust, falling dirt and dripping non-corrosive liquid

Standards

- UL 508 listed, Type 12 and Type 13
- CSA C22.2 No.94 certified, Type 12 and Type 13
- Conforms to NEMA standard for Type 12 and Type 13
- Conforms to JIC standard EGP-1-1967

Finish

- Wash and phosphate undercoat
- ANSI 61 gray polyester powder finish

Accessories

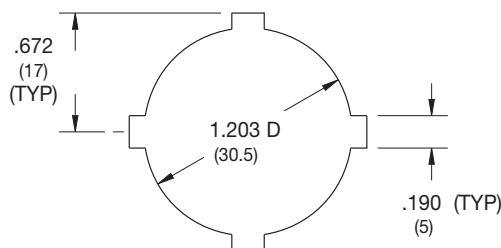
- Hole seals
- Columns and bases
- Touch-up paint
- See accessories section

Construction

- Enclosure and cover are fabricated from (14) gauge steel
- All continuous welded seams are finished smooth
- Cover is attached with captive screws which thread into sealed well nuts
- Covers more than 3.25 inches high have concealed, detachable hinges which allow for quick removal and can be hinged on either side
- Cover has a fixed oil-resistant gasket
- Weldnut in body of enclosure for grounding
- Cover is pre-punched with standard 30.5 mm “4-way” pushbutton holes
- External mounting feet are provided for secure wall mounting

Discount Schedule: C2

Subclass: DPO



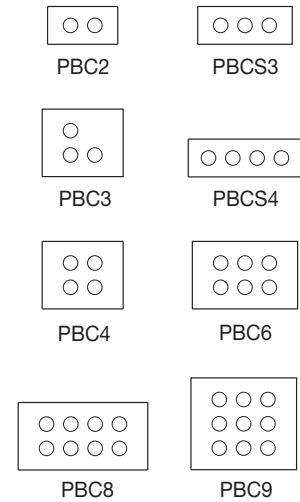
Standard 4-Way

Notes: Cooper B-Line can provide special sizes, finishes and other holes and cutouts, see page 352.
Consult the factory for your special requirements.

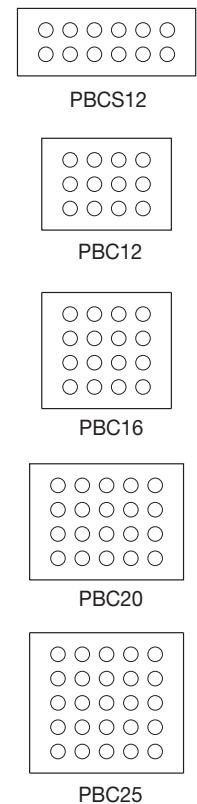
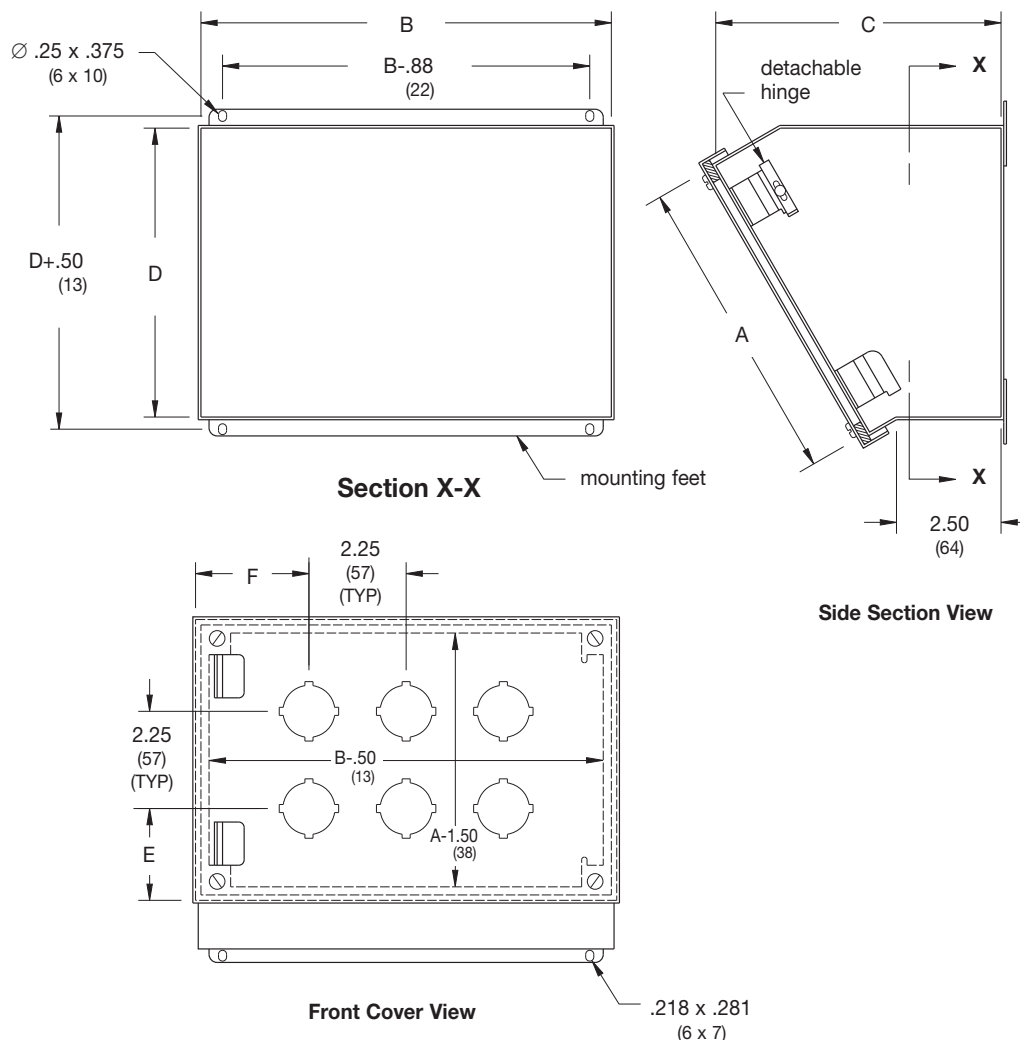
Pushbutton Enclosures Type 12 Angle Front - 30.5 mm Illustration Sheet and Catalog Number

Enclosure Catalog Number	Holes	Enclosure Size Height x Width x Depth		D		E		F	
		A x B x C							
		in.	mm	in.	mm	in.	mm	in.	mm
PBC2*	2	3.25 x 6.25 x 4.81	83 x 159 x 122	3.31	84	1.75	44	2.12	54
PBCS3*	3	3.25 x 8.50 x 4.81	83 x 216 x 122	3.31	84	1.75	44	2.12	54
PBC3	3	6.25 x 7.25 x 6.37	159 x 184 x 162	5.90	150	2.12	54	2.62	67
PBCS4*	4	3.25 x 10.25 x 4.81	83 x 260 x 122	3.31	84	1.75	44	1.87	47
PBC4	4	6.25 x 7.25 x 6.37	159 x 184 x 162	5.90	150	2.12	54	2.62	67
PBC6	6	6.25 x 9.50 x 6.37	159 x 241 x 162	5.90	150	2.12	54	2.62	67
PBC8	8	6.25 x 11.75 x 6.37	159 x 298 x 162	5.90	150	2.12	54	2.62	67
PBC9	9	9.50 x 8.50 x 7.88	241 x 216 x 200	8.84	225	2.12	54	2.62	67
PBCS12	12	6.25 x 16.25 x 6.37	159 x 413 x 162	5.90	150	2.12	54	2.62	67
PBC12	12	8.50 x 11.75 x 7.50	216 x 298 x 191	7.84	199	2.12	54	2.62	67
PBC16	16	10.75 x 11.75 x 8.62	273 x 298 x 219	9.78	248	2.12	54	2.62	67
PBC20	20	10.75 x 14.00 x 8.62	273 x 356 x 219	9.78	248	2.12	54	2.62	67
PBC25	25	13.00 x 14.00 x 9.75	330 x 356 x 248	11.75	298	2.12	54	2.62	67

* Enclosures are not hinged.



Operator Enclosures

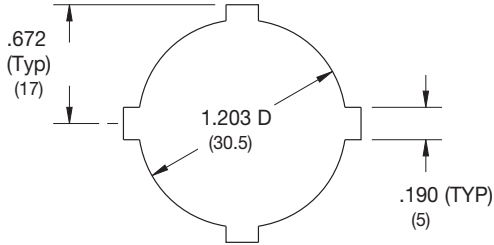


**Cover Hole
Layout**

Notes: Dimensions are in inches. Millimeters shown are for reference only. Data subject to change without notice.

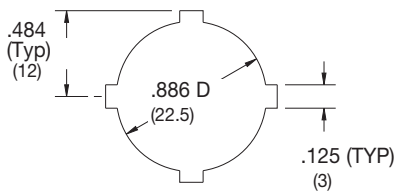
Operator Enclosures

Pushbutton Enclosures Hole and Cutout Information Illustration Sheet



Standard 4-Way (Type S4-WAY)

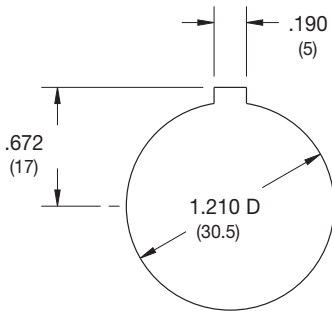
Cooper B-Line's standard 4-way pushbutton hole will accommodate all standard size pushbutton, pilot lights and selector switches. The hole is designed to orient the device and legend plate in one of four different positions. Furnished on "PB", "PBX", "PBP", "PBC", "PBCS", "PV", "PVX", "PVS" and "P" style enclosures.



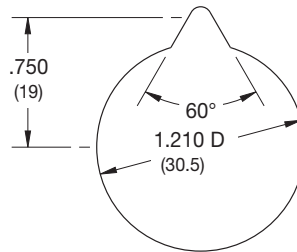
Miniature 4-Way (Type: M4-WAY)

Cooper B-Line's miniature 4-way pushbutton hole will accommodate miniature size pushbuttons, pilot lights and selector switches. The hole is designed to orient the device and legend plate in one of four different positions. Furnished on "PB-M" and "PB-B" style enclosures.

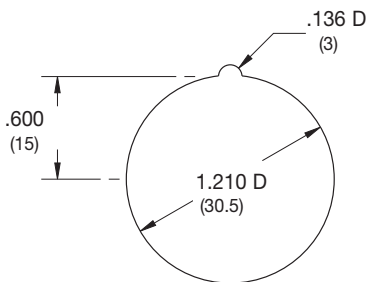
Custom Holes and Cutouts



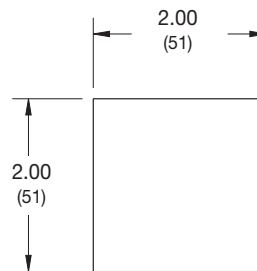
Type: C-101



Type C-102



Type: C-103



Type C-201

Notes: When specifying hole types "C-101", "C-102" and "C-103" indicate orientation of "key". Dimensions are in inches. Millimeters shown are for reference only. Data subject to change without notice.