

## Features

- Ideal for use within closed electrical operation environments
- Allows use off preassembled cables
- Optimised cost of material and assembly
- Insert can be assembled to Han-Snap® element with screwdriver

2 identical half shells form a shell housing.

Each housing has 3 cable entries, one on top and one at each end. 2 x cable entries can be closed by enclosed blind plugs.

In the area of cable entries there are rectangular openings for mounting of cable ties up to max. 5 mm width.

In the mating area both housing shells are fixed by the standard insert fixing screws.

To release the half shells use screw driver (3.5 x 0.5).

Alternatively, Han® coding elements (code pins or guide pins and bushings) may be used.

High mechanical security of the fixings.

No functional impairment is caused by slight over tightening of the fixing screws. The blind plugs have slots for identification strips.

The following labels can be fitted:

label 7 x 20 mm or

label 9 x 20 mm (more information page 11.19)

## Technical characteristics

Min. retention force, fixed	300 N
Vibration resistance	IEC 60 068, part 2-6 BN 74018
Resistance to shock	IEC 60 068, part 2-27 BN 74018
Tightening torque of fixing screws/ coding elements	0.8 Nm
Material	Thermoplastic resin, polycarbonate, RAL 7032, grey
Flammability acc. to UL 94	V 0
Limiting temperatures	-40 °C ... +125 °C

## Range of delivery

Range of delivery comprises:

2 half shells with blind plugs



Identification

Size

Part number

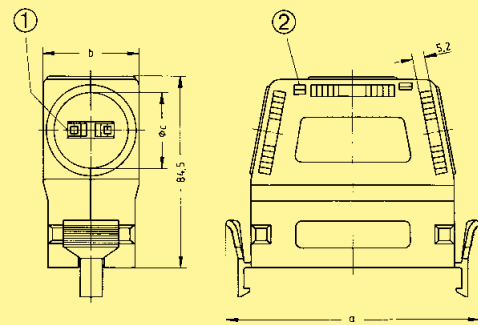
Drawing

Dimensions in mm

Plastic housings



6 B	<b>09 33 006 0401</b>
10 B	<b>09 33 010 0401</b>
16 B*	<b>09 33 016 0401</b>
24 B	<b>09 33 024 0401</b>



Size	a	b	c
6 B	78.5	39	24
10 B	91.5	43	30
16 B	112	43	34
24 B	138.5	43	34

- ① Blind plug with slot for identification strips
- ② Opening for release

\* Han A-size 16 by using the corresponding adapter (see page 11.18-19)

Protection covers

6 B	09 33 006 5401
10 B	09 33 010 5401
16 B	09 33 016 5401
24 B	09 33 024 5401



Size	a
6 B	81.5
10 B	94.5
16 B	115
24 B	141.5