

Features

- Insert mounting with carrier element
- Suitable for all standard inserts size Han® 6 B, Han® 10 B, Han® 16 B, Han® 24 B
- A practical solution to fix the insert directly on a standard rail
- Insert can be assembled to Han-Snap® element with screwdriver
- Space saving

The insert mounting locks directly on standard rail 35 x 15 or 35 x 7.5 mm.

Inserts can be assembled on the insert mounting with the standard insert fixing screws.

High mechanical security of the fixings.

No functional impairment is caused by slight over tightening of the fixing screws.

Alternatively, Han® coding elements (code pins or guide pins and bushes) may be used.

The following labels may be fitted alternatively to the insert mounting parts for circuit identification purposes:

label 7 x 20 mm or

label 9 x 20 mm (more information page 11.19)

Technical characteristics

Min. retention force
on rail

- Tension	300 N
- Pressure	1000 N

Tightening torque of fixing screws/
coding elements

0.8 Nm

Material

Thermoplastic resin,
polycarbonate,
RAL 7032, grey

Flammability acc. to UL 94

V 0

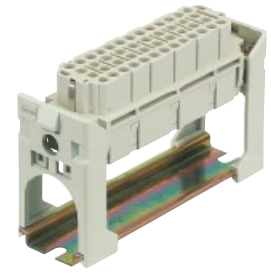
Limiting temperatures

-40 °C ... +125 °C

Range of delivery

Range of delivery comprises:

2 insert mounting parts



Identification

Part number

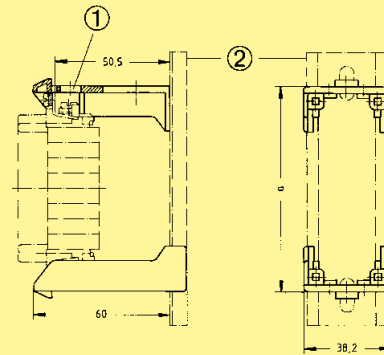
Drawing

Dimensions in mm

Insert mounting



09 33 000 9980



Size	a
6 B	57
10 B	70
16 B	90.5
24 B	117
10 A*	74
16 A*	90.5

- ① Slot for identification strip
- ② Rail DIN EN 60 715-35 x 7.5 or -35 x 15

* with corresponding adapter (see page 11.18-19)