

## Marine Products

# 100 Ampere, 125/250 Volt and 3ØY 120/208 Volt Ship-to-Shore Cable Sets



- Hubbell Marine was the first to offer 100 amp marine grade devices that are considered second to none.
- Hubbell developed the standard for 100 amp Pin and Sleeve devices with the National Electric Code and the American Boat and Yacht Council.
- Only Hubbell offers 3, 4 and 5 wire 100 amp cable sets for your shore power requirements.
- Cable sets manufactured in factory-controlled conditions using specially compounded cable to accommodate a full 100 amp.

### Features

- Factory assembled.
- 100 Amp Pin and Sleeve devices
- UL Listed cable.
- Breadth of line.
- 100% inspection.

### Benefits

- Reliable and consistent terminations.
- Rugged, watertight, UL listed, ABYC compliant, corrosion resistant
- High visibility yellow, STOW cable, 105°C rated, and UL listed.
- Available in 75, 100, and 125 ft. lengths with and without a neutral. Fifty foot extension cords also available.
- Each cable set is tested to ensure quality performance.

**IP56**  
SUITABILITY



100A  
125/250V AC



100A 3ØY  
120/208V AC

## 100A Ship-to-Shore Cable Sets

Description	Catalog Number	
Yellow 75 ft. (22.8m) corrosion resistant shore power cable set, 105°C rated, #2 AWG, (no neutral), STOW cable with plug and connector body for use with boats with isolation transformer on board.	<b>CS75IT4*</b>	<b>CS75IT5</b>
Same as above except 100 ft. (30.4m) in length.	<b>CS100IT4</b>	<b>CS100IT5</b>
Yellow 75 ft. (22.8m) corrosion resistant shore power cable set, 105°C rated, #2 AWG, STOW cable.	<b>CS754</b>	—
Same as CS754/5 except 100 ft. (30.4m) in length.	<b>CS1004</b>	—
Yellow 50 ft. (15.2m) corrosion resistant extension cord, 105°C rated, #2 AWG, STOW cable. For mating with existing shore power cable set.	<b>CS50EXT4</b>	<b>CS50EXT5</b>
Yellow 75 ft. (22.8m) corrosion resistant one-ended (male only) power supply cable, 105°C rated, #2 AWG, STOW cable with 3 pole 4 wire male plug only; for use with boats using a cable winch system.	<b>CW754</b>	—
Yellow 100 ft. (30.4m) corrosion resistant one-ended (male only) power supply cable, 105°C rated, #2 AWG, (no neutral) STOW cable with male plug only; for use with boats with isolation transformer on board and a cable winch system.	<b>CW100IT4</b>	<b>CW100IT5</b>
Same as CW100IT4/5 except 125 ft. (38.0m) in length.	<b>CW125IT4</b>	<b>CW125IT5</b>
Same as CW100IT4/5 except in white.	<b>CW100IT4W</b>	—



**CS75IT4**

*Note: Periodic cleaning and lubrication (such as LPS-1® made by Holt Lloyd Corp.) of the pins and sleeves of these devices is necessary to enjoy years of optimal use.*

*\*Also available in white, consult factory.*

## Ship-to-Shore Devices



100A  
125/250V AC

### 100A 125/250V Ship-to-Shore Devices

Description	Catalog Number
Gray nylon shore power inlet has gasketed, spring-loaded cover which closes automatically when not in use and is watertight when securely fastened. Mounting holes are 4.88 in. (123.8) on centers and rear portion has 3.94 in. (100.0) diameter. Mounting screws and gasket included. <b>IP56 SUITABILITY.</b>	<b>M4100B12R</b>
Yellow Zytel® super tough nylon watertight connector body has gasketed locking ring to make inlet/connector interface watertight. Cord grip range is 1.06–1.94 in. (26.9–49.3). Note: This device mates with shore power inlet only. <b>IP56 SUITABILITY.</b>	<b>M4100C12R</b>
15° angle cast aluminum back box has corrosion resistant gray finish and top hub with 1½ in. NPT 100A receptacles can be mounted directly to it.	<b>BB1001W</b>
Same as BB1001W except threaded top hub is 2 in. NPT.	<b>BB1002W</b>
15° angle non-metallic back box, made of high-grade engineered thermoplastic Valox® to resist chemicals, abuse and U.V. rays. Has integral grounding plate, 1½ in. NPT hub size and 120 cu. in. capacity (hub is not included - Raco part number 1706 is recommended). <b>IP57 SUITABILITY.</b>	<b>BB100N</b>



**M4100B12R**



**M4100C12R**



**BB1001W**  
**BB1002W**

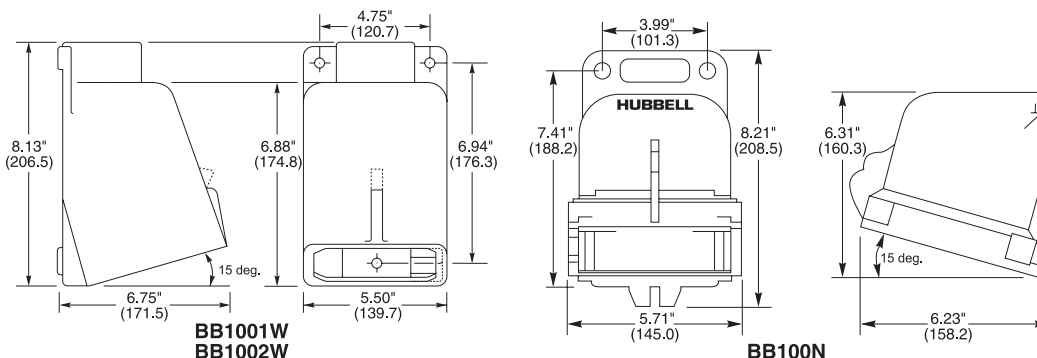


**BB100N**

### Replacement Parts

Description	Catalog Number
Replacement lift cover assembly; includes cover, arm and assembly tool.	<b>CA100</b>
Replacement locking ring and cord clamp.	<b>CC100</b>
Replacement locking ring only.	<b>LR100</b>

Note: Periodic cleaning and lubrication (such as LPS-1® made by Holt Lloyd Corp.) of the pins and sleeves of these devices is necessary to enjoy years of optimal use.

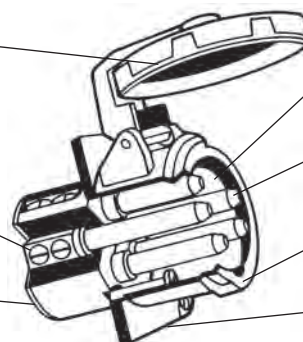


### Shore Power Inlet

The gasketed, self-closing cover is keyed to normally seat in a position that provides a weatherproof seal. Simply rotating the cover and locking it makes it watertight.

The terminals are clearly identified with large markings for easy recognition.

High impact thermoset contact carrier is arcing and heat resistant.



The device is marked with its catalog number and rating for easy identification.

Nickel plated solid brass pins provide for long life and reliable electrical contact in corrosive environments.

Special keying makes proper alignment of mating devices quick and easy.

Nylon housing provides increased safety and abuse resistance.

Dimensions in Inches (mm)

Zytel® is a registered trademark of E.I. DuPont.

Valox® is a trademark of SABIC Innovative Plastics, acquired from General Electric Company.

## Ship-to-Shore Devices



100A  
125/250V AC

### 100A 125/250V Ship-to-Shore Devices

Description	Catalog Number
Yellow Zytel® super tough nylon watertight plug has gasketed locking ring to make plug/receptacle interface watertight. Cord grip range is 1.06–1.94 in. (26.9–49.3). IP56 SUITABILITY.	<b>M4100P12</b>
Gray nylon dockside receptacle has gasketed, spring-loaded cover. Closes automatically when not in use and is watertight when securely fastened. Mounting holes are 4.88 in. (123.8) on centers. Mounting screws and gasket included. IP56 SUITABILITY.	<b>M4100R12</b>
Yellow Zytel® super tough nylon watertight connector body for mating plug to connector interface on extension cords or adapters. Cord grip range is 1.06–1.94 in. (26.9–49.3). Note: It cannot be mated to the shore power inlet. IP56 SUITABILITY.	<b>M4100C12</b>
Back box for inlets and receptacles has 15° angle section which can be installed in any of 4 positions. Box is cast aluminum with corrosion resistant gray alkyd-based enamel finish and 1½ in. NPT hub which can be mounted for either top or bottom feed. IP56 SUITABILITY.	<b>FW60100</b>
Closure Cap for 100A plugs and connector bodies that (do not have a cap attached) have locking rings.	<b>PC100</b>



M4100P12



M4100R12

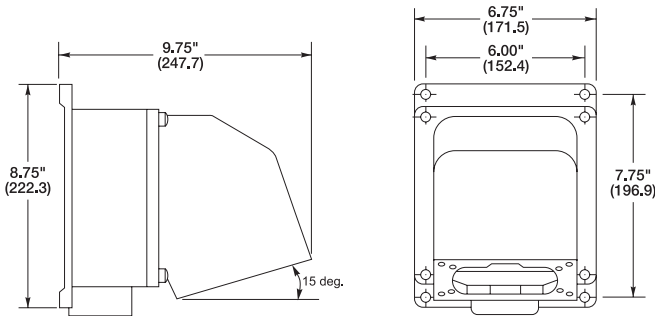


M4100C12

### Replacement Parts

Description	Catalog Number
Replacement lift cover assembly; includes cover, arm and assembly tool.	<b>CA100</b>
Replacement locking ring and cord clamp.	<b>CC100</b>
Replacement locking ring only.	<b>LR100</b>

Note: Periodic cleaning and lubrication (such as LPS-1® made by Holt Lloyd Corp.) of the pins and sleeves of these devices is necessary to enjoy years of optimal use.

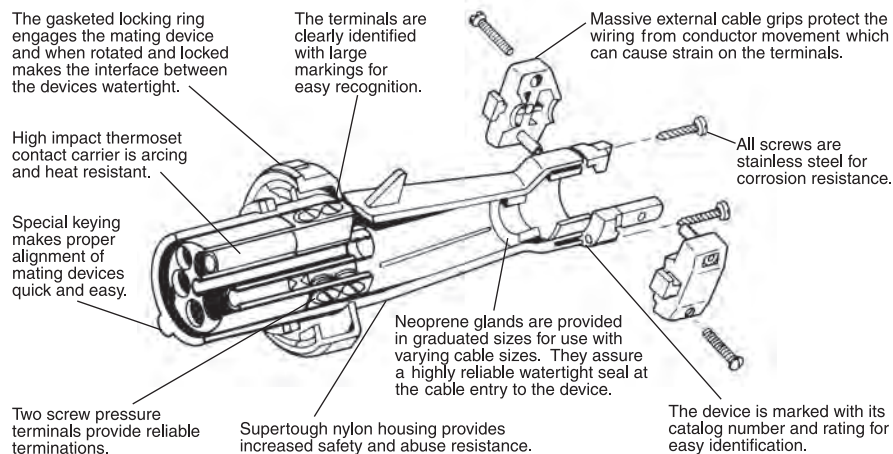


FW60100



FW60100

### 100A Connector Body



PC100



CA100

Zytel® is a registered trademark of E.I. DuPont.

Dimensions in Inches (mm)

Ship-to-Shore Devices



M5100B9R



M5100C9R



BB1001W  
BB1002W



BB100N

100A 3ØY 120/208V and 100A 3ØY 277/480V

Description	Catalog Number	Catalog Number
Gray nylon shore power inlet has gasketed, spring-loaded cover which closes automatically when not in use and is watertight when securely fastened. Mounting holes are 4.88 in. (123.8) on centers and rear portion has 3.94 in. (100.0) diameter. Mounting screws and gasket included. IP56 SUITABILITY.	M5100B9R	M5100B7R
Yellow Zytel® super tough nylon watertight connector body has gasketed locking ring to make inlet/connector interface watertight. Cord grip range is 1.06–1.94 in. (26.9–49.3). Note: This device mates with shore power inlet only. IP56 SUITABILITY.	M5100C9R	M5100C7R
15° angle cast aluminum back box has corrosion resistant gray finish and top hub with 1½ in. NPT 100A receptacles can be mounted directly to it.	BB1001W	BB1001W
Same as BB1001W except threaded top hub is 2 in. NPT.	BB1002W	BB1002W
15° angle non-metallic back box, made of high-grade engineered thermoplastic Valox® to resist chemicals, abuse and U.V. rays. Has integral grounding plate, 1½ in. NPT hub size and 120 cu. in. capacity (hub is not included - Raco part number 1706 is recommended). IP57 SUITABILITY.	BB100N	BB100N



100A 3ØY  
120/208V AC

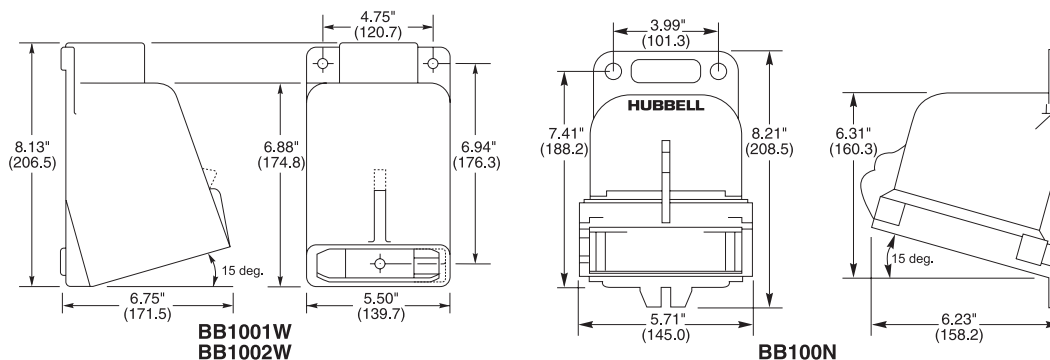


100A 3ØY  
277/480V AC

Replacement Parts

Description	Catalog Number	Catalog Number
Replacement lift cover assembly; includes cover, arm and assembly tool.	CA100	CA100
Replacement locking ring and cord clamp.	CC100	CC100
Replacement locking ring only.	LR100	LR100

Note: Periodic cleaning and lubrication (such as LPS-1® made by Holt Lloyd Corp.) of the pins and sleeves of these devices is necessary to enjoy years of optimal use.

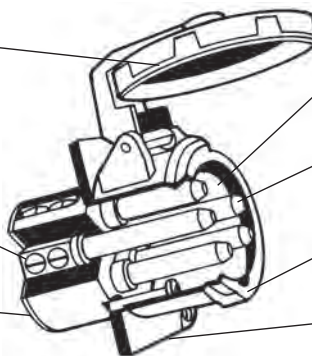


Shore Power Inlet

The gasketed, self-closing cover is keyed to normally seat in a position that provides a weatherproof seal. Simply rotating the cover and locking it makes it watertight.

The terminals are clearly identified with large markings for easy recognition.

High impact thermoset contact carrier is arcing and heat resistant.



The device is marked with its catalog number and rating for easy identification.

Nickel plated solid brass pins provide for long life and reliable electrical contact in corrosive environments.

Special keying makes proper alignment of mating devices quick and easy.

Nylon housing provides increased safety and abuse resistance.

Dimensions in Inches (mm)

Valox® is a trademark of SABIC Innovative Plastics, acquired from General Electric Company. Zytel® is a registered trademark of E.I. DuPont.

Ship-to-Shore Devices

100A 3ØY 120/208V and 100A 3ØY 277/480V



100A 3ØY  
120/208V AC



100A 3ØY  
277/480V AC

Description	Catalog Number	
Yellow Zytel® super tough nylon watertight plug has gasketed locking ring to make plug/receptacle interface watertight. Cord grip range is 1.06–1.94 in. (26.9–49.3). IP56 SUITABILITY.	<b>M5100P9</b>	<b>M5100P7</b>
Gray nylon dockside receptacle has gasketed, spring-loaded cover. Closes automatically when not in use and is watertight when securely fastened. Mounting holes are 4.88 in. (123.8) on centers. Mounting screws and gasket included. IP56 SUITABILITY.	<b>M5100R9</b>	<b>M5100R7</b>
Yellow Zytel® super tough nylon watertight connector body for making plug to connector interface on extension cords or adapters. Cord grip range is 1.06–1.94 in. (26.9–49.3). Note: It cannot be mated to the shore power inlet. IP56 SUITABILITY.	<b>M5100C9</b>	<b>M5100C7</b>
Back box for inlets and receptacles has 15° angle section which can be installed in any of 4 positions. Box is cast aluminum with corrosion resistant gray alkyd-based enamel finish and 1½ in. NPT hub which can be mounted for either top or bottom feed. IP56 SUITABILITY.	<b>FW60100</b>	<b>FW60100</b>
Closure Cap for 100A plugs and connector bodies that (do not have a cap attached) have locking rings.	<b>PC100</b>	<b>PC100</b>



M5100P9



M5100R9



M5100C9

Replacement Parts

Description	Catalog Number	
Replacement lift cover assembly; includes cover, arm and assembly tool.	<b>CA100</b>	<b>CA100</b>
Replacement locking ring and cord clamp.	<b>CC100</b>	<b>CC100</b>
Replacement locking ring only.	<b>LR100</b>	<b>LR100</b>

Note: Periodic cleaning and lubrication (such as LPS-1® made by Holt Lloyd Corp.) of the pins and sleeves of these devices is necessary to enjoy years of optimal use.



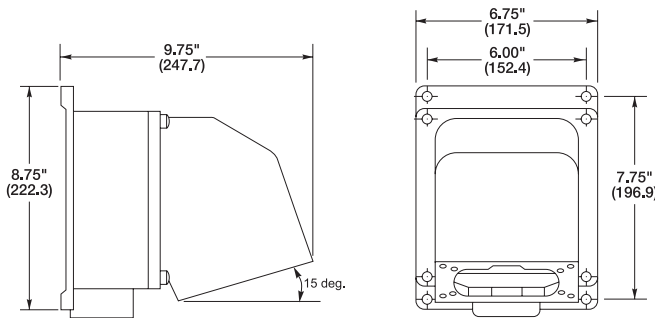
FW60100



PC100

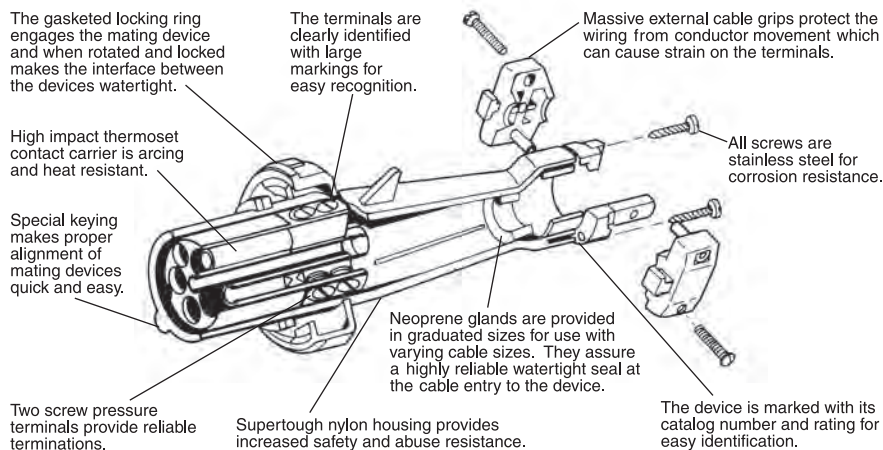


CA100



FW60100

100A Connector Body



Zytel® is a registered trademark of E.I. DuPont.

Dimensions in Inches (mm)