

**Ship-to-Shore Devices**



50A 125V



**HBL503NM**

**50A 125V Ship-to-Shore Devices**

Description	Catalog Number
Stylized non-metallic shore power inlet has UV resistant white Centrex cover which makes unit weatherproof when completely closed. Interior has easy to wire terminals. Mounting holes are 2.38 in. (60.3) on centers and match existing mounting patterns. Mounting screws and gasket included. <b>IP55 SUITABILITY.</b>	<b>HBL503NM</b>
Traditional stainless steel shore power inlet has gasketed, self-closing cover so interior is shielded from the elements when not in use. Watertight when cover is securely fastened. Mounting holes are 2.38 in. (60.3) on centers, and rear portion has 2.17 in. (55.1) diameter. Mounting screws and gasket included. <b>IP56 SUITABILITY.</b>	<b>HBL503SS</b>
Protective rear cover. Fits all inlets except HBL503SS. Secures to back of inlets with three screws which are provided.	<b>SR3050**</b>
Replacement interior for HBL503SS and 63CM72 shore power inlets.	<b>CR16277</b>
Nickel plated brass connector body has heat resistant thermoset interior and combination metal and rubber cord grip provides superior strain relief capability. Cord grip range is .44–1.14 in. (11.1–29.0). <b>IP20 SUITABILITY.</b>	<b>HBL63CM60</b>
Yellow Seal-Tite® cover for connector bodies when used with 50A shore power inlets. Threaded sealing ring makes connections watertight. <b>IP56 SUITABILITY.</b>	<b>HBL77CM15+</b>
White Seal-Tite cover for connector bodies when used with 50A shore power inlets. Threaded sealing ring makes connections watertight. <b>IP56 SUITABILITY.</b>	<b>HBL77CM15W+</b>
Nickel plated brass cord clamp assembly with clamp range of .44–1.14 in. (11.1–29.0) provides strain relief for terminations on shore power inlets.	<b>HBL77CM67</b>
Yellow Seal-Tite cover for weatherproofing 50A connector bodies on extension cords or adapters. <b>IP56 SUITABILITY.</b>	<b>HBL77CM17+</b>

Note: \*\*Not UL/CSA.  
 +Boots are not UL Listed.



**HBL503SS**



**HBL63CM60**



**HBL77CM15**



**HBL77CM17**

**50A Traditional Stainless Steel Inlets**

Base and cover are #316 type stainless steel for strength and corrosion resistance.

Self-closing cover is friction tight to remain open while engaging cable set and shields the interior from the elements when the inlet is not in use.

Contact blades are nickel plated brass for corrosion resistance.

Neoprene gasket on underside of cover for sealing when the cover is closed.

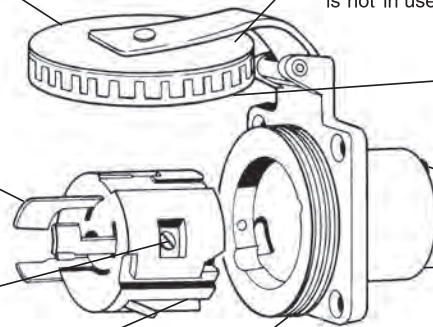
Pressure screw terminals for secure terminations—clearly marked for easy identification.

Three screws “lock-in” the interior once it is in place.

Thermoset contact carrier is arcing and heat resistant.

Rear enclosure is nickel plated for corrosion resistance.

Threaded base for making a watertight seal. When in use, it mates to the threaded ring of the watertight cover on the connector body. When not in use, it mates to the threaded cover.



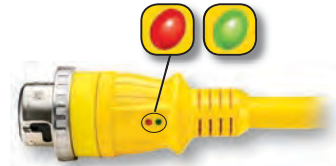
## Ship-to-Shore Devices



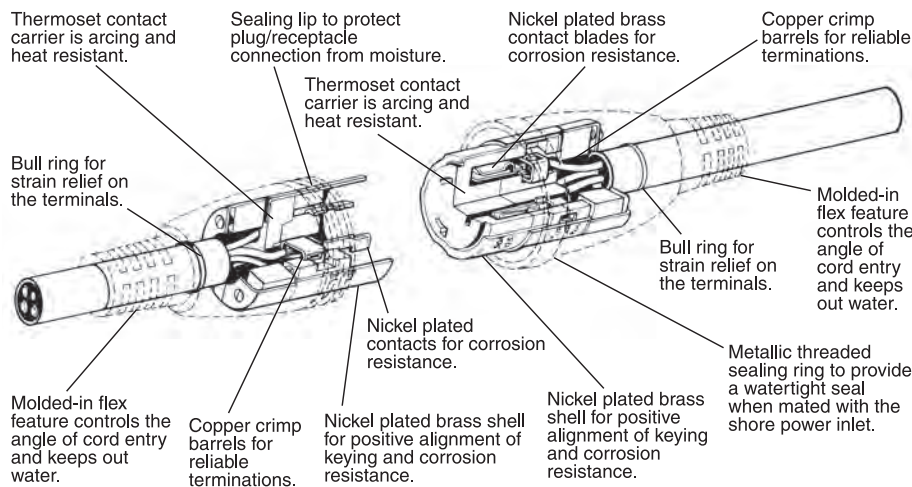
### 50A 125V Ship-to-Shore Devices

Description	Catalog Number
Yellow 50 ft. (15.2m) vinyl jacketed shore power cable set. #6 AWG type STOW is completely factory pre-wired with molded-on devices. Connector end has threaded metallic sealing ring to make inlet/connector interface watertight. IP54 SUITABILITY (boatside).	<b>HBL61CM53</b>
Same as HBL61CM53 except with two high intensity LEDs.	<b>HBL61CM53LED*</b>
Same as HBL61CM53 except white.	<b>HBL61CM53W</b>
Same as HBL61CM53W except with two high intensity LEDs.	<b>HBL61CM53WLED*</b>
Same as HBL61CM53 except 25 ft. (7.6m) in length.	<b>HBL61CM43</b>
Same as HBL61CM43 except with two high intensity LEDs.	<b>HBL61CM43LED*</b>
Three conductor, #6 AWG type STOW, yellow PVC jacketed portable cord with jute fillers for added flexibility. Ideal for making cable sets, extension cords, and adapters will not mark boat's deck. 250 ft. (75.2m) lengths only.	<b>YC306250</b>
Nickel plated brass plug has heat resistant thermoset interior and combination metal and rubber cord grip, provides superior strain relief capability. Cord grip range is .44-1.14 in. (11.1-29.0). IP20 SUITABILITY.	<b>HBL63CM61</b>
Yellow Seal-Tite® cover for weatherproofing 50A plugs. IP55 SUITABILITY.	<b>HBL77CM16+</b>
White Seal-Tite cover for weatherproofing 50A plugs. IP55 SUITABILITY.	<b>HBL77CM16W+</b>
Single receptacle has a heat-resistant thermoset base. IP20 SUITABILITY.	<b>HBL63CM70</b>
Yellow Valox® lift cover for weatherproofing 50A receptacles. Meets requirements of the most stringent of UL's three listing categories for weatherproof plates. Stainless steel screws and a neoprene gasket included. For mounting to FS/FD type weatherproof boxes. IP44 SUITABILITY.	<b>HBL77CM74WO</b>
Same as HBL77CM74WO except gray in color. IP44 SUITABILITY.	<b>HBL7774WO</b>
Stainless steel wall plate for 50A receptacle.	<b>SS750</b>

Note: \*See page Y-16 for features and benefits.  
 +Boots are not UL Listed.



### 50A Molded Cable Sets



Valox® is a trademark of SABIC Innovative Plastics, acquired from General Electric Company.

HBL63CM70

HBL77CM74WO

SS750

**Ship-to-Shore Devices**



**HBL504NM**

**50A 125/250V Ship-to-Shore Devices**

Description	Catalog Number
Stylized non-metallic shore power inlet has UV resistant white Centrex cover which makes unit weatherproof when completely closed. Interior is heat resistant thermoset material and has box lug terminals. Mounting holes are 2.38 in. (60.3) on centers and match existing mounting patterns. Mounting screws and gasket included. <b>IP55 SUITABILITY.</b>	<b>HBL504NM</b>
Traditional stainless shore power inlet has gasketed, self-closing cover so that the interior is shielded from the elements when not in use. It is watertight when the cover is securely fastened. The mounting holes are 2.38 in. (60.3) on centers, and the rear portion has a 2.17 in. (55.1) diameter. Mounting screws and gasket are included. <b>IP56 SUITABILITY.</b>	<b>HBL504SS</b>
Protective rear cover. Fits all inlets except HBL504SS. Secures to back of inlets with three screws which are provided.	<b>SR3050**</b>
Replacement interior for 63CM74 and HBL504SS power inlets.	<b>CR16279**</b>
Nickel plated brass connector body has a heat resistant thermoset interior and combination metal and rubber cord grip, which provides superior strain relief capability. Cord grip range is .44–1.14 in. (11.1–29.0). <b>IP20 SUITABILITY.</b>	<b>HBL63CM64</b>
Yellow Seal-Tite® cover for connector bodies when used with 50A shore power inlets. Threaded sealing ring makes connections watertight. <b>IP56 SUITABILITY.</b>	<b>HBL77CM15+</b>
White Seal-Tite cover for connector bodies when used with 50A shore power inlets. Threaded sealing ring makes connections watertight. <b>IP56 SUITABILITY.</b>	<b>HBL77CM15W+</b>
Nickel plated brass cord clamp assembly with clamp range of .44–1.14 in. (11.1–29.0) provides strain relief for terminations on shore power inlets.	<b>HBL77CM67</b>
Yellow Seal-Tite cover for weatherproofing 50A connector bodies on extension cords or adapters. <b>IP55 SUITABILITY.</b>	<b>HBL77CM17+</b>

Note: \*\*Not UL/CSA.

+Boots are not UL Listed.



**HBL504SS**



**HBL63CM64**



**HBL77CM15**



**HBL77CM17**

**50A Traditional Stainless Steel Inlets**

Base and cover are #316 type stainless steel for strength and corrosion resistance.

Self-closing cover is friction tight to remain open while engaging cable set and shields the interior from the elements when the inlet is not in use.

Contact blades are nickel plated brass for corrosion resistance.

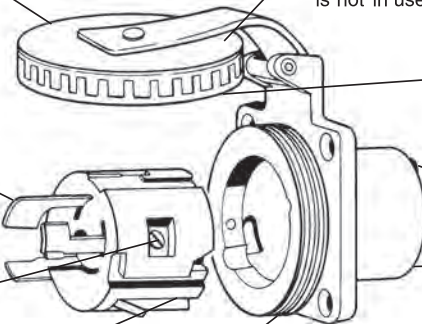
Neoprene gasket on underside of cover for sealing when the cover is closed.

Pressure screw terminals for secure terminations—clearly marked for easy identification.

Three screws “lock-in” the interior once it is in place.

Thermoset contact carrier is arcing and heat resistant.

Threaded base for making a watertight seal. When in use, it mates to the threaded ring of the watertight cover on the connector body. When not in use, it mates to the threaded cover.



**Ship-to-Shore Devices**



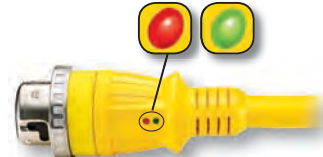
**50A 125/250V Ship-to-Shore Devices**

Description	Catalog Number
Yellow 50 ft. (15.2m) vinyl jacketed shore power cable set, #6 AWG type STOW is completely factory pre-wired with molded-on devices. The connector end has a metallic threaded sealing ring for making the inlet/connector interface watertight. IP56 SUITABILITY (boatside).	<b>HBL61CM52</b>
Same as HBL61CM52 except with two high intensity LEDs.	<b>HBL61CM52LED*</b>
Same as HBL61CM52 except white.	<b>HBL61CM52W</b>
Same as HBL61CM52W except with two high intensity LEDs.	<b>HBL61CM52WLED*</b>
Yellow 25 ft. (7.6m) vinyl jacketed shore power cable set, #6 AWG type STOW is completely factory pre-wired with molded-on devices. The connector end has a metallic threaded sealing ring for making the inlet/connector interface watertight. IP56 SUITABILITY (boatside).	<b>HBL61CM42</b>
Same as HBL61CM42 except with two high intensity LEDs.	<b>HBL61CM42LED*</b>
Same as HBL61CM42 except white.	<b>HBL61CM42W</b>
Same as HBL61CM42W except with two high intensity LEDs.	<b>HBL61CM42WLED*</b>
Four conductor, #6 AWG type STOW, yellow PVC jacketed portable cord with jute fillers for added flexibility is ideal for making cable sets, extension cords, and adapters that will not mark the boats deck. Available in 250 ft. (76.2m) lengths only.	<b>YC406250</b>
Nickel plated brass plug has a heat resistant thermoset interior and combination metal and rubber cord grip, which provides superior strain relief capability. Cord grip range is .44-1.14 in. (11.1-29.0). IP20 SUITABILITY.	<b>HBL63CM65</b>
Yellow Seal-Tite® cover for weatherproofing 50A plugs. IP55 SUITABILITY.	<b>HBL77CM16+</b>
White Seal-Tite® cover for weatherproofing 50A plugs. IP55 SUITABILITY.	<b>HBL77CM16W+</b>
Single receptacle has a heat resistant thermoset base. IP20 SUITABILITY.	<b>HBL63CM69</b>
Yellow Valox® lift cover for weatherproofing 50A receptacles. Meets requirements of the most stringent of UL's three listing categories for weatherproof plates. Stainless steel screws and a neoprene gasket included. For mounting to FS/FD type weatherproof boxes. IP44 SUITABILITY.	<b>HBL77CM74WO</b>
Same as HBL77CM74WO except gray in color. IP44 SUITABILITY.	<b>HBL7774WO</b>
Stainless steel wall plate for 50A receptacle.	<b>SS750</b>

Note: \*See page Y-16 for features and benefits.  
+Boots are not UL Listed.



**HBL61CM52  
HBL61CM52W  
HBL61CM42  
HBL61CM42W**



**HBL63CM65**



**HBL77CM16**



**HBL63CM69**

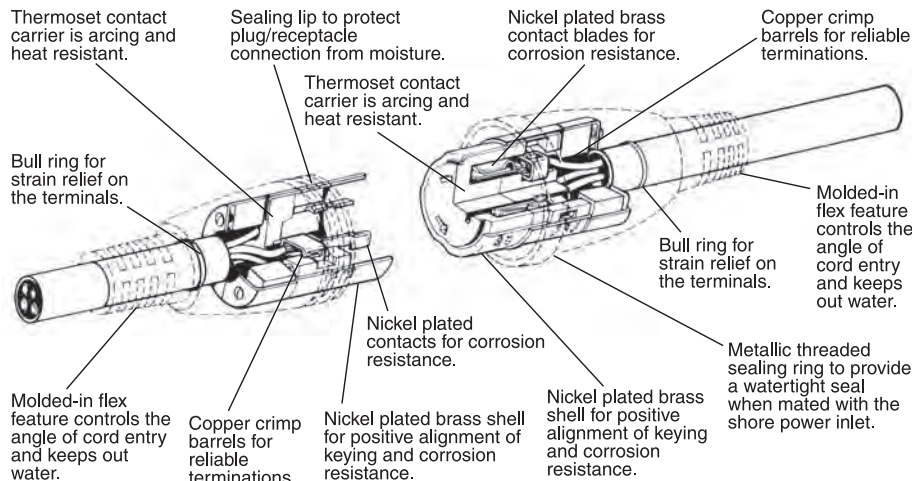


**HBL77CM74WO**



**SS750**

**50A Molded Cable Sets**



Valox® is a trademark of SABIC Innovative Plastics, acquired from General Electric Company.

## Marine Products

# 50 Ampere, Cable Set with Two High Intensity LEDs: “Power-On” and “Incorrect Wiring” Indicators Ship-to-Shore Cable Sets



- Two bright, durable, LEDs. GREEN indicates “Power-On” and RED indicates “Incorrect Wiring” at the power source.
- High intensity LEDs are visible—even in bright sunlight.
- Totally molded design for superior waterproofing and durability.
- Exclusive copper crimp barrel terminations for tighter connections and longer life.



Bull ring for added strain relief

Exclusive crimp termination for longer life

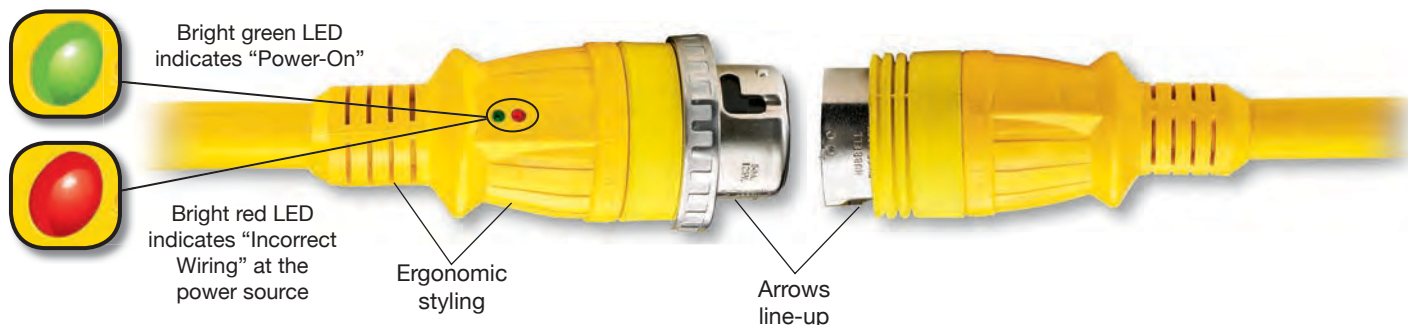


**IP56**  
SUITABILITY  
(Boatside)



### 50A Shore Power Cable Set with Two LED Indicators

Description	Catalog Number	
Yellow 50 ft. (15.2m) vinyl jacketed shore power cable set, #6 AWG type STOW is completely factory pre-wired with molded-on devices. The connector end has a metallic threaded sealing ring for making the inlet/connector interface watertight.	<b>HBL61CM53LED</b>	<b>HBL61CM52LED</b>
Same as HBL61CM52LED except in white.	<b>HBL61CM53WLED</b>	<b>HBL61CM52WLED</b>
Same as HBL61CM52LED except 25 ft. (7.6m) in length.	<b>HBL61CM43LED</b>	<b>HBL61CM42LED</b>
Same as HBL61CM42LED except in white.	—	<b>HBL61CM42WLED</b>



Bright green LED indicates “Power-On”

Bright red LED indicates “Incorrect Wiring” at the power source

Ergonomic styling

Arrows line-up