

## Wire Management Products

### Cord and Cable Reels

#### Industrial Power Cord Reels

#### Features

- Cast Aluminum Housing and Base
- UL Type 1
- Multi-Position Guide Arm can be mounted in two different positions
- Ratchet lock automatically maintains desired cord length or can be disengaged in the field for constant tension applications
- Class A GFCI with open neutral protection
- High impact polyurethane portable outlet box with tamper resistant receptacles

#### Ordering Information

Description	UPC Number	Catalog Number
White Industrial Reel with Black Box, GFCI Module and (2) 20A Tamper Resistant Duplex Receptacles, UL Type 1, 45 Ft , #12/3 SJO, 20 A, 250 VAC	783585586410	HBLI45123GF220M1

#### Component Listings and Applicable Codes

UL355 and CSA, C22.2 No. 308  
UL514B POB Strain Relief Cable Gland  
UL943 Open Neutral Protection  
2017 NFPA 70 (NEC) Article 590.6(A)(1)  
2020 NFPA 70 (NEC) Article 406.12

#### Specifications

Spool	Aluminum
Guide Frame	Thermoplastic
Cord	Copper
Internal Terminals	Copper Alloy
Ball Stopper	Thermoplastic
Fitting	Aluminum

#### Performance

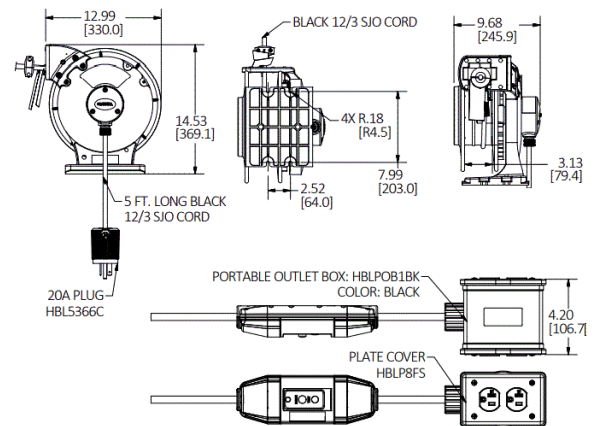
**Amperage**  
20 A

**Max. Working Voltage**  
250V AC

**Moisture Resistance**  
Dry, Indoor, Non-Hazardous Locations - UL Type 1

**Number of Wires**  
3-Wire

# HUBBELL



#### Related Products

Pivot Base	HBLI340PB
Mounting Bracket	HBLIMB
Mounting Bracket w/ Junction Box	HBLIMBJ
Plenum Cord Reel Enclosure	HBLIPRBOX

#### Online Resources

Customer Drawing  
Customer Sales Drawings  
eCatalog  
Installation/Instruction Manual

Dimensions in Inches (mm)

Hubbell Wiring Device-Kellems • Hubbell Incorporated (Delaware) • 40 Waterview Drive • Shelton, CT 06484

Phone (800) 288-6000 • Fax (800) 255-1031 • Specifications subject to change without notice.

