



15A 125V Industrial Grade

LEVITON®

LIFETIME
WARRANTY



NEMA L5-15P



NEMA L5-15R

ELECTRICAL		
DIELECTRIC VOLTAGE	CURRENT INTERR.	TEMP. RISE
Withstands 2000V per UL 498	Full rated current	Max 30°C after 250 cycles of overload at 200% of rated current

MECHANICAL			
TERMINAL I.D.	TERMINAL ACCOMM.	PRODUCT I.D.	CORD GRIP RANGE
Brass, hot	#18-#10 AWG	Ratings & NEMA I.D. permanently marked on device	.245"-.700"
Greening			
White, neutral			
ENVIRONMENTAL			
FLAMMABILITY		OPERATING TEMP.	
Rated V-2 per UL 94		-40°C to 60°C	

STANDARDS & CERTIFICATIONS					
NEMA WD-6	ANSI C-73	UL 498	UL Fed Spec Listed WC-596	CSA C22.2 No.42	NOM
✓	✓	✓	#E13393 Plugs, Connectors & Flanged Inlets	#LR-406	#057
			#E13399 Receptacles & Flanged Inlets		



4700 (DUPLEX)



4720-C



4729-C



4720-CA



4716-C

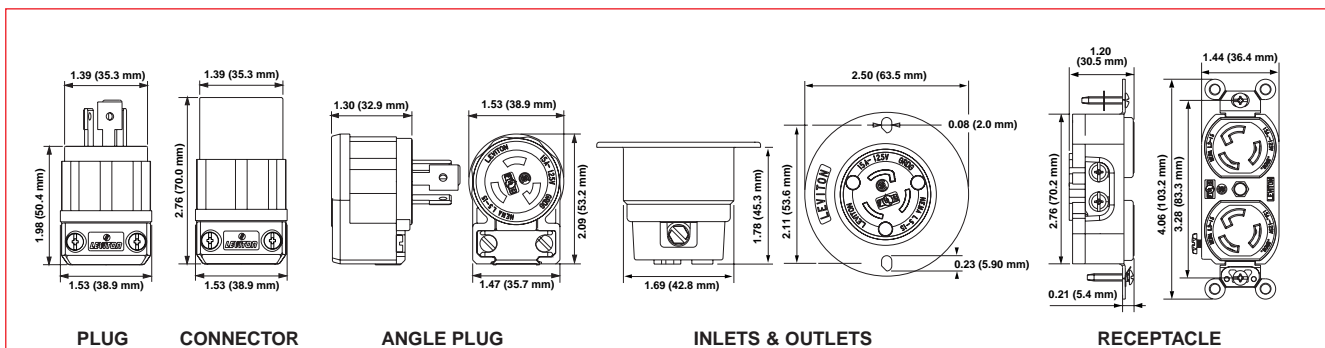


TYPE	PLUG	CONNECTOR	ANGLE PLUG	FLANGED INLET	FLANGED OUTLET
15A 125V, NEMA L5-15P AND L5-15R, 2-P 3-W, Grounding					
All Black — Bulk Packaged	4720-B	4729-B	-	-	-
Black & White	4720-C	4729-C	4720-CA	-	-
All Black	4720-CB	4729-CB	-	-	-
Yellow & White	4720-CY	4729-CY	-	-	-
All White	-	-	-	4716-C	4715-C
Power Indication Black & White	4720-PLC	4729-PLC	-	-	-

TYPE	COMBO DUPLEX† RECEPTACLE SELF-GROUNDING BACK & SIDE WIRED	DUPLEX RECEPTACLE ISOLATED GROUND BACK & SIDE WIRED	SINGLE RECEPTACLE	SINGLE RECEPTACLE with SHORT STRAP	SINGLE RECEPTACLE ISOLATED GROUND
15A 125V, NEMA L5-15R, 2-P 3-W, Grounding					
Black	4700	-	4710	4710-SS	-
Orange	-	4700-IG	-	-	4710-IG

† See additional combo receptacles on page E39.

LEXAN FLIP LID COVER	302 STAINLESS STEEL	302 STAINLESS STEEL
For Inlets and Outlets	Single Receptacles	Duplex Receptacles
<p>IP64 Rated Includes Gasket WP1</p>	<p>1.40" Dia. Hole 84004-40</p>	<p>84003-40</p>
FOR ADDITIONAL WALLPLATE OPTIONS SEE SECTION Q		



Industrial Grade Locking Devices

E

5

To learn more about Leviton devices or for answers to technical questions call our Techline at 1-800-824-3005 or visit us at www.leviton.com

Courtesy of Steven Engineering, Inc.-230 Ryan Way, South San Francisco, CA 94080-6370-Main Office: (650) 588-9200-Outside Local Area: (800) 258-9200-www.stevenengineering.com