

## Decora® Wall Switch Infrared Occupancy Sensor (Incandescent or Fluorescent)

DESCRIPTION	CAT. NO.	RATING	COLOR
Decora Wall Switch PIR Occupancy Sensor with Self-Adaptive Technology	ODS15-ID (formerly 6768)	Fluorescent: 1800VA @ 120V, 4000VA @ 277V. Incandescent: 1800W @ 120V. Motor: 1/4 HP @ 120V	I, W, G, A
Decora Wall Switch PIR Occupancy Sensor	ODS10-ID (formerly 16775)	Incandescent: 800W @ 120V, Fluorescent: 1200VA @ 120V, 2700VA @ 277V. For 60 Hz AC only. Motor: 1/4 HP @ 120V	I, W, G, A

## Dual-Relay Decora® Wall Switch Infrared Occupancy Sensor

DESCRIPTION	CAT. NO.	PHOTOCELL CONTROL OPTIONS PER RELAY	RATING	COLOR
Dual-Relay Decora Wall Switch PIR Occupancy Sensor with Self-Adaptive Technology	ODS0D-ID (formerly 6772)	Default Setting: Conference Room Mode Both Primary and Secondary Relays respond to Ambient Light Override. Alternate Setting: Classroom Mode Primary Relay only responds to Ambient Light Override.	Primary Relay: Fluorescent: 1200VA @ 120V, 2700VA @ 277V Incandescent: 800W @ 120V. Secondary Relay: Fluorescent: 800VA @ 120V, 1200VA 277V. Incandescent: 800W @ 120V	I, W, G, A

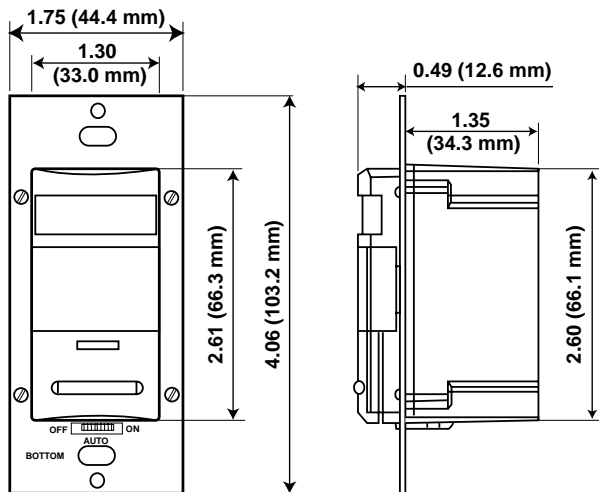
## Motion-Activated Wall Switch Lighting Control

DESCRIPTION	CAT. NO.	RATING	COLOR
Single-Pole & 3-Way 180° Motion Activated Light Control (PIR)	6800	Incandescent: 500W, Fluorescent: 500VA @ 120V AC, 60 Hz. Motor: 1/6 HP, 120V AC	I, W, A

## Decora® Infrared Wall Switch Occupancy Sensors

DESCRIPTION	CAT. NO.	RATING	COLOR
Single-Pole Motion Activated Light Control, 150° Field-of-View	6791	Incandescent: 500W Fluorescent: 400VA @ 120V AC Rapid Start Magnetic	I, W, A
3-Way Motion Activated Light Control, 150° Field-of-View	6793	Incandescent: 500W Fluorescent: 400VA @ 120V AC Rapid Start Magnetic	I, W, A
Single-Pole Motion Activated Light Control, 110° Field-of-View	6780	Incandescent: 300W @ 120V AC	I, W, A

All devices are UL Listed and CSA Certified.



Cat. No. ODS15-ID

### SPECIFICATIONS & FEATURES Decora Wall Switch PIR Occupancy Sensor (ODS15-ID)

- For use in small offices, conference rooms, class rooms, stock rooms, lounges, restrooms, warehouses & commercial areas
- Exclusive automatic "Walk-Through" sensing increases energy savings by shutting lights within 2 1/2 minutes after momentary occupancy
- Self-adjusting delayed OFF-time interval compensates for real-time occupancy patterns, preventing unnecessary ON/OFF switching
- 180° field of view, 2100 sq. ft. of coverage

### Dual-Relay Decora Wall Switch PIR Occupancy Sensor (ODS0D-ID)

- Ideal for class rooms and conference rooms
- Exclusive automatic "Walk-Through" sensing
- Provides automatic switching for 2 separate banks of fluorescent, incandescent, or low-voltage lighting from a single unit
- Self-adjusting delayed OFF-time interval compensates for real-time occupancy patterns, preventing unnecessary ON/OFF switching



- 180° field of view, 2100 sq. ft. of coverage
- Ambient light override prevents these devices from switching lights ON when there is ample natural sunlight
- Push-button manual override is used to turn lights ON at any time, regardless of the override setting

### Wall Switch PIR Occupancy Sensor (ODS10-ID)

- For use in enclosed offices, storage rooms, copier rooms & closets
- One unit can be used for 120V or 277VAC 60Hz incandescent, low-voltage and fluorescent lighting with either magnetic or electronic ballasts, and motor loads.
- 180° field of view
- Fits in standard wallbox; gangable
- Delayed-off time setting (30 seconds - 30 minutes)
- Elegant Decora styling; uses Decora wallplate

### TESTING & CODE COMPLIANCE

- UL Listed (File #E-118904)
- Cat. No. ODS0D-ID is CUL/US Certified
- CSA Certified (File #LR-91148M)
- NOM Certified (#057)
- Conforms to California Title 24 Energy Code
- Backed by a Limited Five-Year Warranty

### COLOR

Colors available as listed, add suffix to catalog number as follows: Ivory (-I), White (-W), Gray (-G), Almond (-A).

### MATERIAL CHARACTERISTICS

Operating Temperature: 0°C to 50°C  
 Storage Temperature: -10°C to 85°C  
 Relative Humidity: 20% to 90% non-condensing