



Industrial Networking Solutions

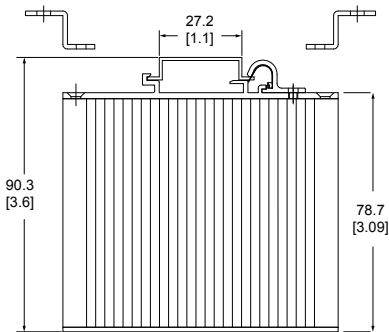
Entry Level Switches



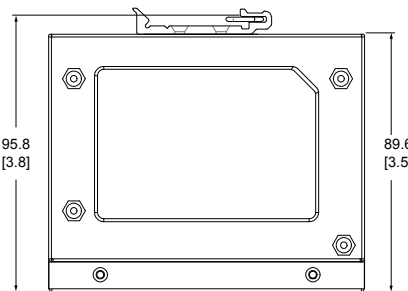
Unmanaged Entry-Level Switches | DIN-Rail/Wall Mount | Aluminum Housing | IP30 Rating



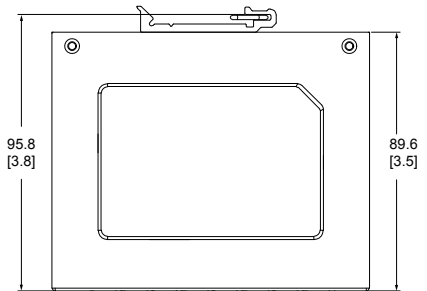
Unmanaged Fast Ethernet Switches		
Part Number [MFG #]	10/100 RJ45 Ports	Features
E45UM-8-MT [EH2308]	8	Redundant Power Input
E45PNUM-4 [EH2304-PR]	4	Redundant Power Input Profinet & Ethernet/IP Packet Prioritization Profinet Connectors
E45PNUM-8 [EH2308-PR]	8	Redundant Power Input Profinet & Ethernet/IP Packet Prioritization Profinet Connectors



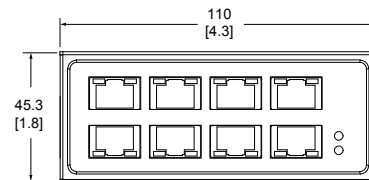
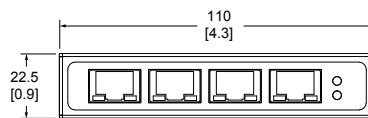
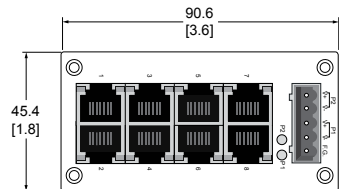
E45UM-8-MT



E45PNUM-4



E45PNUM-8



Feature Highlights:

- 10/100BaseT(X) (RJ45)
- Broadcast storm protection
- Support IEEE 802.3/ 802.3u/ 802.3x
- 10/100M, Full/Half-Duplex, MDI/MDI-X auto-detection



Industrial Networking Solutions

Specifications & Approvals



Unmanaged Entry-Level Switches | DIN-Rail/Wall Mount | Aluminum Housing | IP30 Rating

Technology		Regulatory Approvals		
Standards	IEEE802.3, 802.3u, 802.3x	Safety	UL60950-1 2nd Ed. / CSA C22.2 No.60950-1-07 2nd Ed.	
Processing Type	Store and Forward	FCC(EMI)	FCC 47 CFR Part15, Subpart B, Class A	
Flow Control	IEEE802.3x flow control, backpressure flow control	CE(EMI)	European Standard EN 55022:2006/ A1:2007 Class A EN 61000-3-2:2006 EN 61000-3-3: 1995/A1:2001/A2 :2005	
Interface				
RJ-45 Ports	10/100BaseT(X) auto negotiation speed, Full/Half-duplex mode, and auto MDI/MDI-X connection	E45UM-8-MT	European Standard EN 55022:2010	
LED Indicators	Power, 10/100M	E45PNUM-4 E45PNUM-8		
Power Management		CE(EMS)	EN 55024:1998/A1:2001/A2:2003 (IEC 61000-4-2:1995/A2:2000) IEC 61000-4-3:2002 IEC 61000-4-4:2004 IEC 61000-4-5:1995/A1:2000 IEC 61000-4-6:1996/A1:2000 IEC 61000-4-8:1993/A1:2000 IEC 61000-4-11:1994/A1:2000	
Input	9~48 VDC, Dual inputs			
Consumption	E45UM-8-MT			4.0 Watts Max
	E45PNUM-4			4.0 Watts Max
	E45PNUM-8	6.4 Watts Max		
Reverse Polarity Protection	Present	E45PNUM-4 E45PNUM-8	EN 55024: 2010 IEC 61000-4-2: 2008 IEC 61000-4-3: 2010 IEC 61000-4-4: 2012 IEC 61000-4-5: 2005 IEC 61000-4-6: 2008 IEC 61000-4-8: 2009 IEC 61000-4-11: 2004	
Environmental Limits		Shock	IEC 60068-2-27	
Operating Temperature	-10°C ~ 70°C (14°F ~ 158°F)	Drop	ISTA Test Procedure 2A	
Storage Temperature	-40°C ~ 85°C (-40°F ~ 185°F)	Vibration	IEC 60068-2-64	
Ambient Relative Humidity	5%~95% non-condensing	RoHS	Lead(Pb) Free	
		MTBF	E45UM-8-MT	568862 hrs(25°C) / 64.94 years(25°C)
			E45PNUM-4	EH2304-PR 673300 hrs/ 76.86 years
			E45PNUM-8	EH2308-PR 515600 hrs/ 58.86 years
		Warranty	5 years	