



Panel Interface Connectors

Entry Level Switch

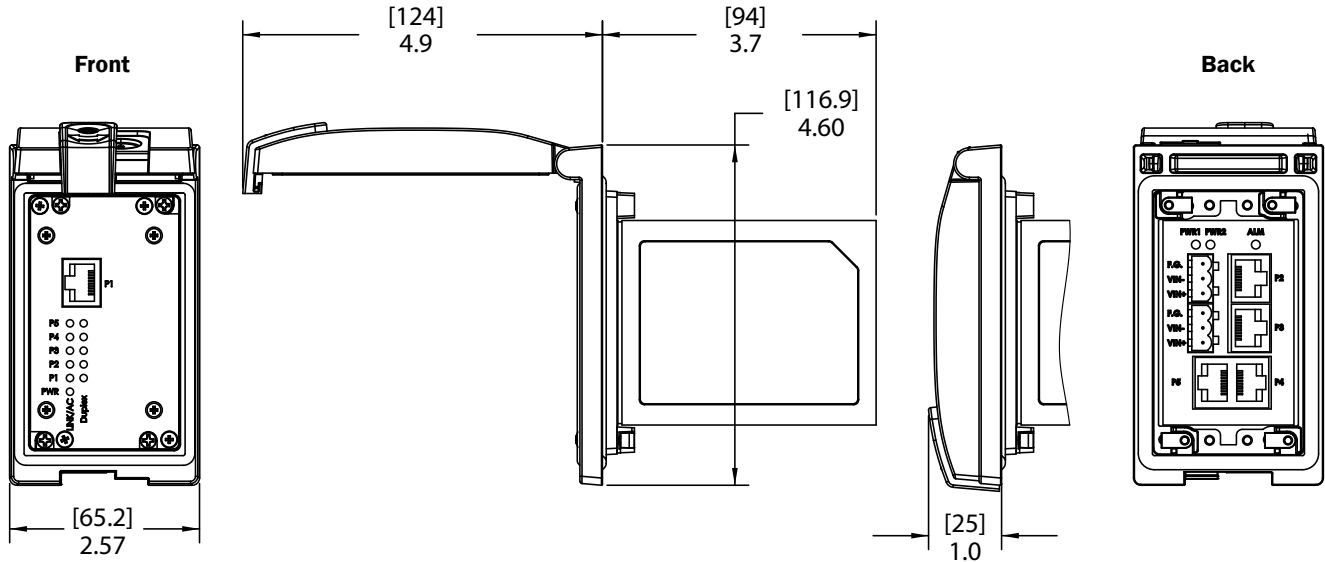


Unmanaged Entry-Level Switches | LP1 Housing | IP65 Rating



Part Number	10/100 RJ45 Ports	Features
LP1-E45UM-5	5	Redundant Power Input

2 Pluggable terminal blocks included

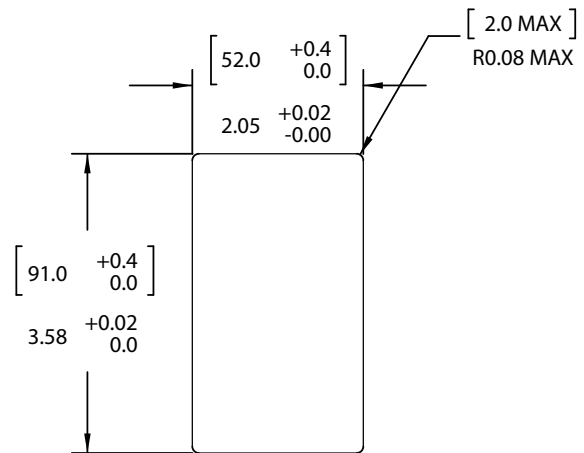


Specifications:

Volts:	9 - 30V
Amps:	0.6A Max
Panel Thickness:	5.0mm Max
Mounting Screw Torque:	0.8 N-m
Terminal Block Torque:	0.5 N-m
Incoming Power Wire Size:	0.25 - 2.5 sq mm/24-12AWG
Wire Strip Length:	7 - 8mm

Housing Materials:

Body:	Nickel Plated Zinc
Gaskets:	PUR FIPG
Front Cover:	Polycarbonate
Latch & Lock:	PBT



Panel Cutout