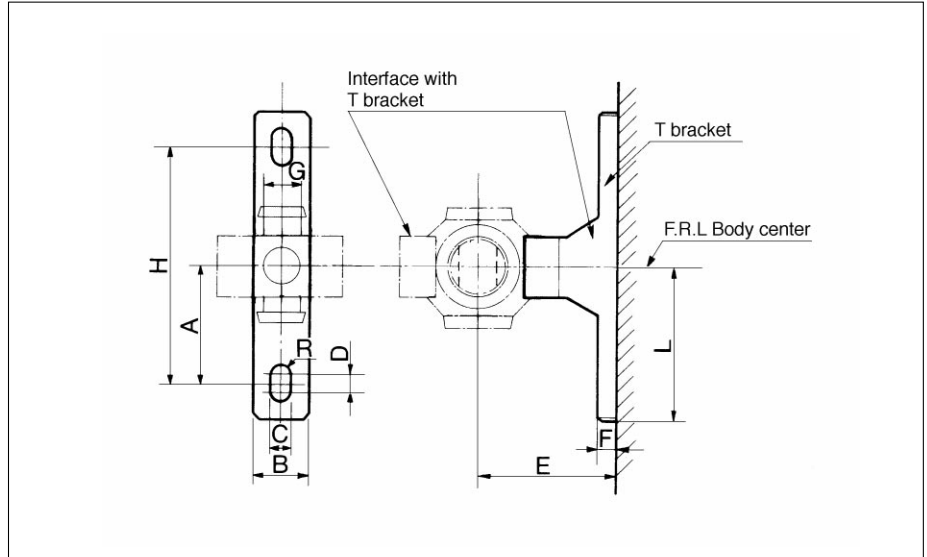
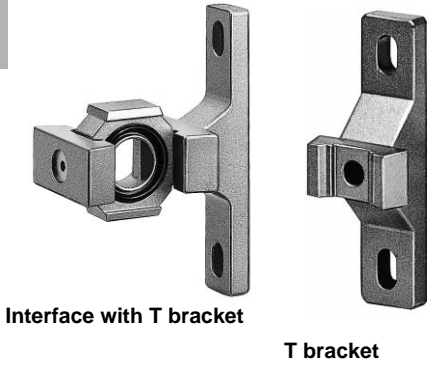


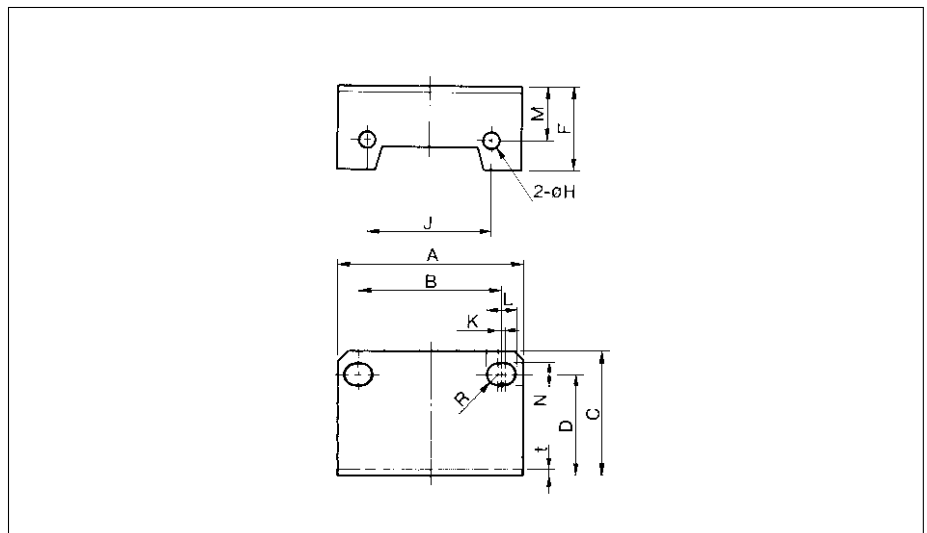
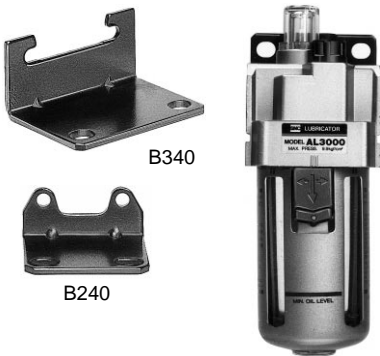
Accessories

T Bracket/ Interface with T Bracket



T bracket	Interface with T bracket	A	B	C	D	E	F	G	H	R	L	Applicable model
B210T	Y20T	24	15	5.5	3	30	5	10	48	2.75	33	AC2001 to AC2041
B310T	Y30T	35	16	7	4	41	7	11	70	3.5	45	AC2501 to AC2541 AC3001 to AC3041
B410T	Y40T	40	22	9	4	50	7	14	80	4.5	50	AC4001 to AC4041

Bracket For AF/AL For AFM/AFD



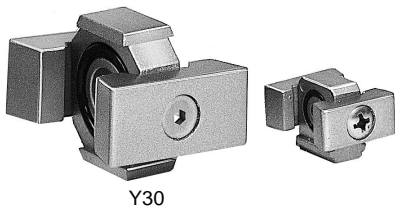
Model	A	B	C	D	F	H	J	K	L	M	N	R	t	Mounting thread	Applicable model
B240A	40	27	33	27	18	4.5	26	3	8.4	14	5.4	2.7	2.3	M4 X 8 ℓ (Round head phillips screw)	AF2000, AL2000 AFM2000, AFD2000
B340A	53	40	39	32	22.5	4.5	35	1.5	8	19	6.5	3.25	2.3	M4 X 8 ℓ (Hexagon socket head cap screw)	AF3000, AL3000 AFM3000, AFD3000
B440A	70	54	47	38	31.5	5.5	47	2	10.5	20	8.5	4.25	2.3	M5 X 10 ℓ (Hexagon socket head cap screw)	AF4000, AL4000 AFM4000, AFD4000

*With 2 mounting screws.

Interface/Bracket Accessories



Interface

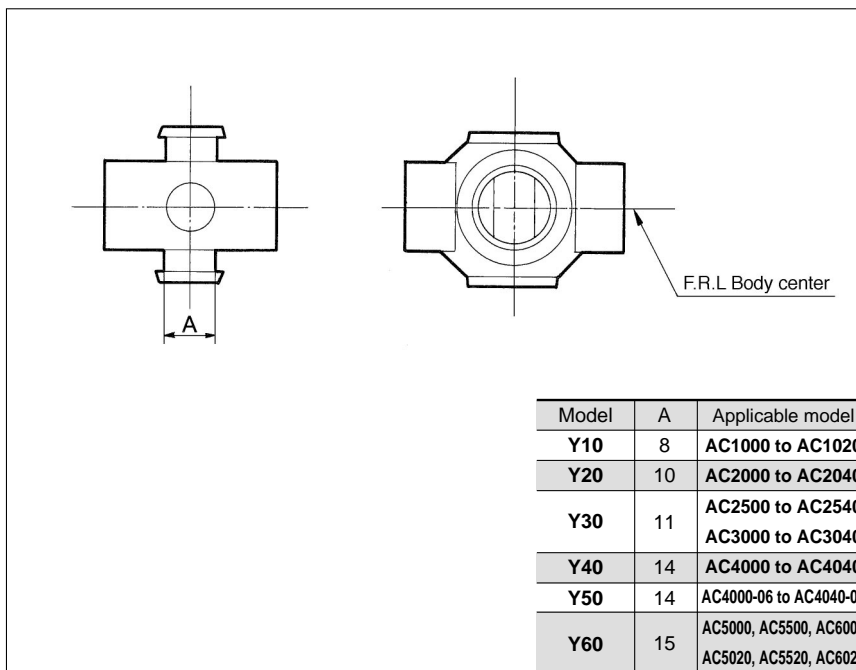


Y30

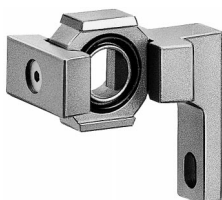


Interface

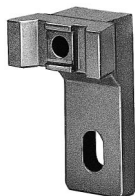
Model	File
Y10	SAC1000, #12
Y20	SAC2000, #12
Y30	SAC2503, #12
Y40	SAC4000, #12
Y50	SAC4006, #12
Y60	SAC5000, #12



L Bracket/ Interface with L Bracket



Interface with L bracket

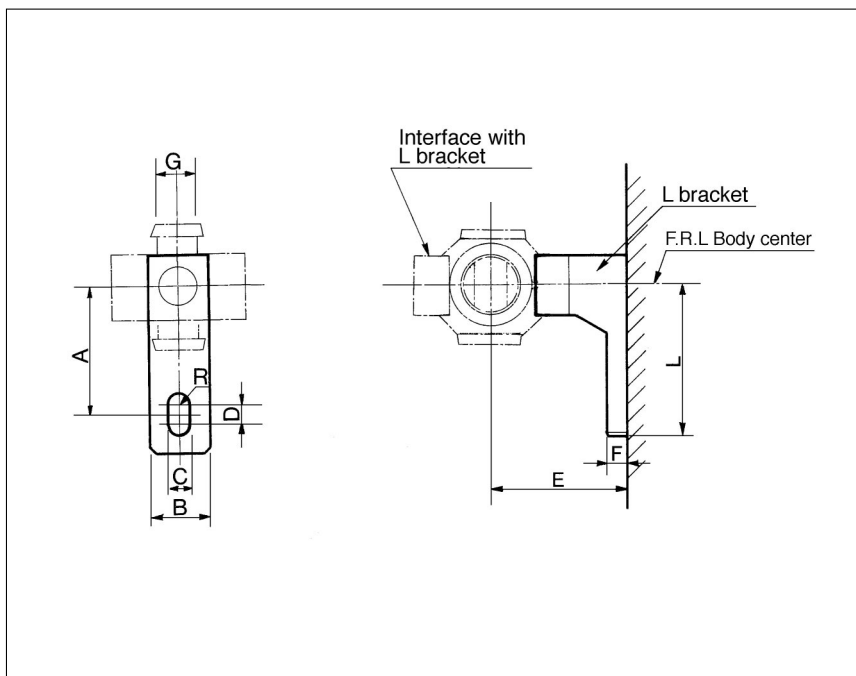


L bracket



L bracket, Interface with L bracket

Model		File
L bracket	Interface with L bracket	
B110L	Y10L	SAC1000, #13
B210L	Y20L	SAC2000, #13
B310L	Y30L	SAC2503, #13
B410L	Y40L	SAC4000, #13
B510L	Y50L	SAC4006, #13
B610L	Y60L	SAC5000, #13



L bracket	Interface with L bracket	A	B	C	D	E	F	G	R	L	Applicable model
B110L	Y10L	20	12	4.5	3	25	5	8	2.25	27	AC1000 to AC1020
B210L	Y20L	24	15	5.5	3	30	6	10	2.75	33	AC2000 to AC2040
B310L	Y30L	35	16	7	4	41	7	11	3.5	45	AC2500 to AC2540 AC3000 to AC3040
B410L	Y40L	40	22	9	4	50	7	14	4.5	50	AC4000 to AC4040
B510L	Y50L	40	22	9	4	50	7	14	4.5	60	AC4000-06 to AC4040-06
B610L	Y60L	50	24	12	4	70	10	15	6	62.5	AC5000, AC5500, AC6000 AC5020, AC5520, AC6020

- AC
- AV
- AU
- AF
- AR
- IR
- VEX
- AW
- AMR
- AWM
- AWD
- ITV
- VBA
- VE
- VY
- G
- AL



Bracket/For AR/AW

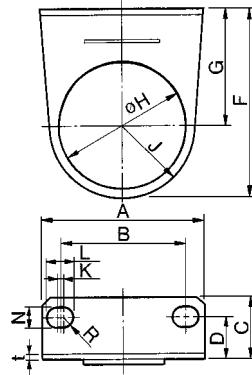


B220



Bracket/For AR, AW

Model	File
B120	SAC1000, #16
B220	SAC2000, #16
B320	SAC2503, #16
B420	SAC4000, #16



Model	A	B	C	D	F	G	øH	J	K	L	N	R	t	Applicable model
B120	40	28	17	11	37.3	25	20.5	12.3	2	6.5	4.5	2.25	2	AR1000, AW1000
B220	55	34	25	19	50	30	33.5	20	10	15.4	5.4	2.7	2.3	AR2000, 2060 AR2500, 2550, 2560 AW2000, AWM2000 AWD2000
B320	53	40	21	13.5	66	41	42.5	25	1.5	8	6.5	3.25	2.3	AR3000, 3050, 3060 ARP3000, AW3000, 3050 AWM3000, AWD3000
B420	70	54	27	18	80	50	52.5	30	2	10.5	8.5	4.25	2.3	AR4000, 4000-06, 4050, 4050-06, 4060, 4060-6 AW4000, 4000-06 AW4050, 4050-06 AWM4000, AWD4000

AC

AV

AU

AF

AR

IR

VEX

AW

AMR

AWM

AWD

ITV

VBA

VE

VY

G

AL