



NAD402



NAD600

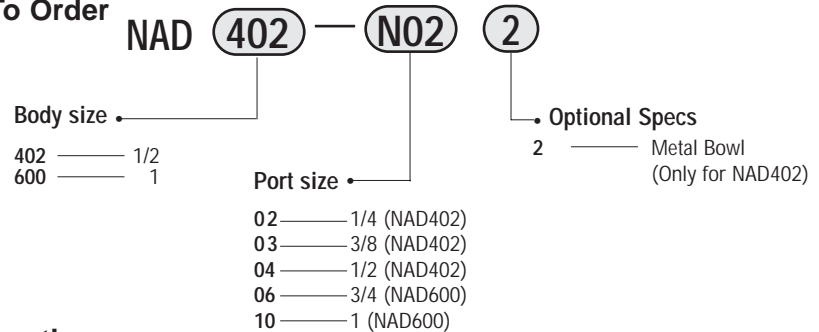
Specifications

Model	NAD402	NAD600
Proof pressure psig (MPa)	220 (1.5)	
Max. operating pressure psig (MPa)	150 (1.0)	
Pressure operating range psig (MPa)	15~150 (0.1~1.0)	45~150 (0.3~1.0)
Operating temperature range	23~140° F (-5~60° C)	
Pipe size	1/4• 3/8• 1/2	3/4• 1
Drain exhaust port size	3/8	3/4• 1
Weight lbs (kgf)	1.37 (.62)	4.63 (2.1)
Body	ADC	ZDC
Bowl	Nylon	ZDC

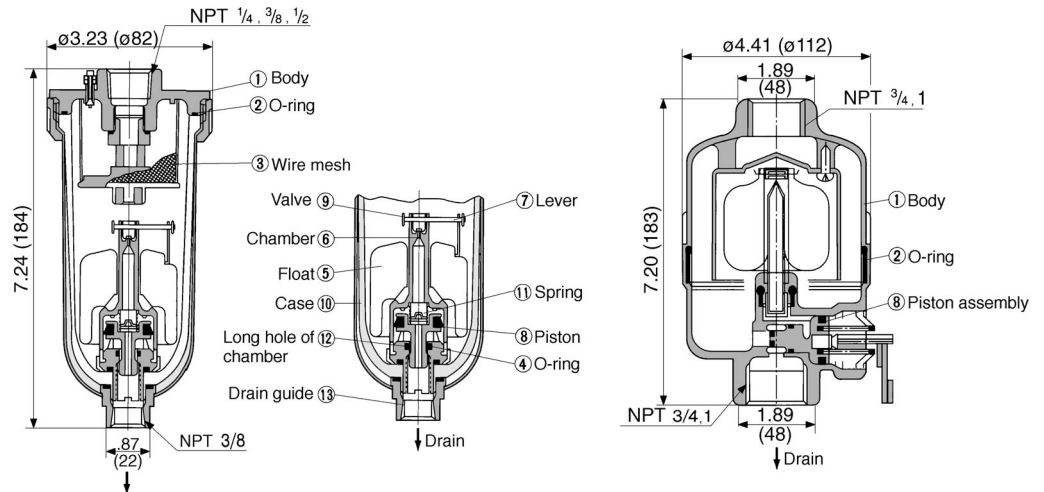
Options

Option	NAD402- * -2	NAD600
Metal Bowl	NAD402- * -2	—

How To Order



Construction



Main Parts

No.	Description	Material
1	Body	Aluminum die casting

Parts List

No.	Description	Material	Model	
			NAD402	NAD600
2	O-ring	NBR	113136	G100
3	Wire Mesh	SUS	20062	—
See Note	Drain Ass'y	—	NAD34PA	—
6	Packing	—	—	20025A

Note: Drain assembly of items 4~12 excluding 10.