

Bowl Assembly

AFF-CA□/AM□-CA□



Bowl Assembly

Bowl assembly for the AFF and AM□ series can be replaced without removing the main body from piping if the drain exhaust specification is to be changed from the drain cock type to the auto drain type or if the bowl has been damaged.

How to Order Bowl Assembly

■ AFF2C to 22C, AM, AMD, AMH, AMG150C to 550C



Body size

150C
250C
350C
450C
550C

Drain exhaust

Symbol	Description
A	With drain cock
C	With N.C. auto drain
D	With N.O. auto drain
J	With drain guide ^{Note 1)}

Note 1) Drain piping and piping for a stop valve such as a ball valve are required.

Option

Symbol	Description
Nil	—
F	Rubber material: Fluororubber
H	For medium air pressure (1.6 MPa)
V	Degreasing wash, white vaseline

Thread type ^{Note 2)}

Symbol	Type
Nil	Rc
F ^{Note 3)}	G
N	NPT

Note 2) Corresponded to the drain exhaust symbol C, D and J. Select according to the body thread type.

Note 3) Not corresponded to the drain exhaust symbol C and D. Select no symbol when the body thread symbol is F.

Applicable Model

Bowl assembly model	Applicable model
AM-CA150C	AFF2C, AM150C, AMD150C, AMH150C, AMG150C
AM-CA250C	AFF4C, AM250C, AMD250C, AMH250C, AMG250C
AM-CA350C	AFF8C, AM350C, AMD350C, AMH350C, AMG350C
AM-CA450C	AFF11C, AM450C, AMD450C, AMH450C, AMG450C
AM-CA550C	AFF22C, AM550C, AMD550C, AMH550C, AMG550C

Auto Drain Specifications/Option Combinations

⊙ : Available □ : Not available
 △ : Plural options cannot be selected.
 (i.e. Combinations such as C-FV, D-FHV are not possible.)

Symbol	F	H	V
A	⊙	⊙	⊙
C	△	□	△
D	△	△	△
J	⊙	⊙	⊙

■ AFF37B/75B



Body size

37B
75B

Drain exhaust

Symbol	Description
A	With drain cock ^{Note 1)}
D	With N.O. auto drain
J	With drain guide ^{Note 2)}

Note 1) Body size 75B is equipped with a ball valve (Rc 3/8 female threaded). Mount a piping adapter IDF-AP609 (page 205) to the ball valve if NPT 3/8 female threaded is required.

Note 2) Drain piping and piping for a stop valve such as a ball valve are required. For body size 75B, substitute with a ball valve. (symbol: A)

Thread type ^{Note 3)}

Symbol	Type
Nil	Rc
F ^{Note 4)}	G
N	NPT

Note 3) Corresponded to the drain exhaust symbol D and J. Select according to the body thread type.

Note 4) Not corresponded to the drain exhaust symbol C and D. Select no symbol when the body thread symbol is F.

How to Order Bowl Assembly

■ Series AM, AMD, AMH, AMG

AM - CA 650 - □ □

**AMD
AMH
AMG**

Body size

650
850

• Thread type Note 3)

Symbol	Type
Nil	Rc
F	G
N	NPT

Note 3) Corresponded to the drain exhaust symbol D and J. Select according to the body thread type.

• Drain exhaust

Symbol	Description
A	With drain cock <small>Note 1)</small>
D	With N.O. auto drain
J	With drain guide <small>Note 2)</small>

Note 1) Body size 850 is equipped with a ball valve (Rc 3/8 female threaded). Mount a piping adapter IDF-AP609 (page 205) to the ball valve if NPT 3/8 female threaded is required.

Note 2) Drain piping and piping for a stop valve such as a ball valve are required.
For body size 850, substitute with a ball valve. (symbol: A)

■ AME, AMF150C to 550C

AME - CA □ - A - □

Body size

150C
250C
350C
450C
550C

• Option Note)

Symbol	Description
Nil	—
F	Rubber material: Fluororubber
H	For medium air pressure (1.6 MPa)
V	Degreasing wash, white vaseline

Note) Combination of F and H is not available.

Applicable Model

Bowl assembly model	Applicable model
AME-CA150C	AME150C, AMF150C
AME-CA250C	AME250C, AMF250C
AME-CA350C	AME350C, AMF350C
AME-CA450C	AME450C, AMF450C
AME-CA550C	AME550C, AMF550C

■ AME, AMF650/850

AME - CA 650 - A

AMF

Body size

650
850

HAA
HAW

AT

IDF
IDU

IDFA

IDFB

ID

IDG

AMG

AFF

AM

AMD

AMH

AME

AMF

SF

SFD

LLB

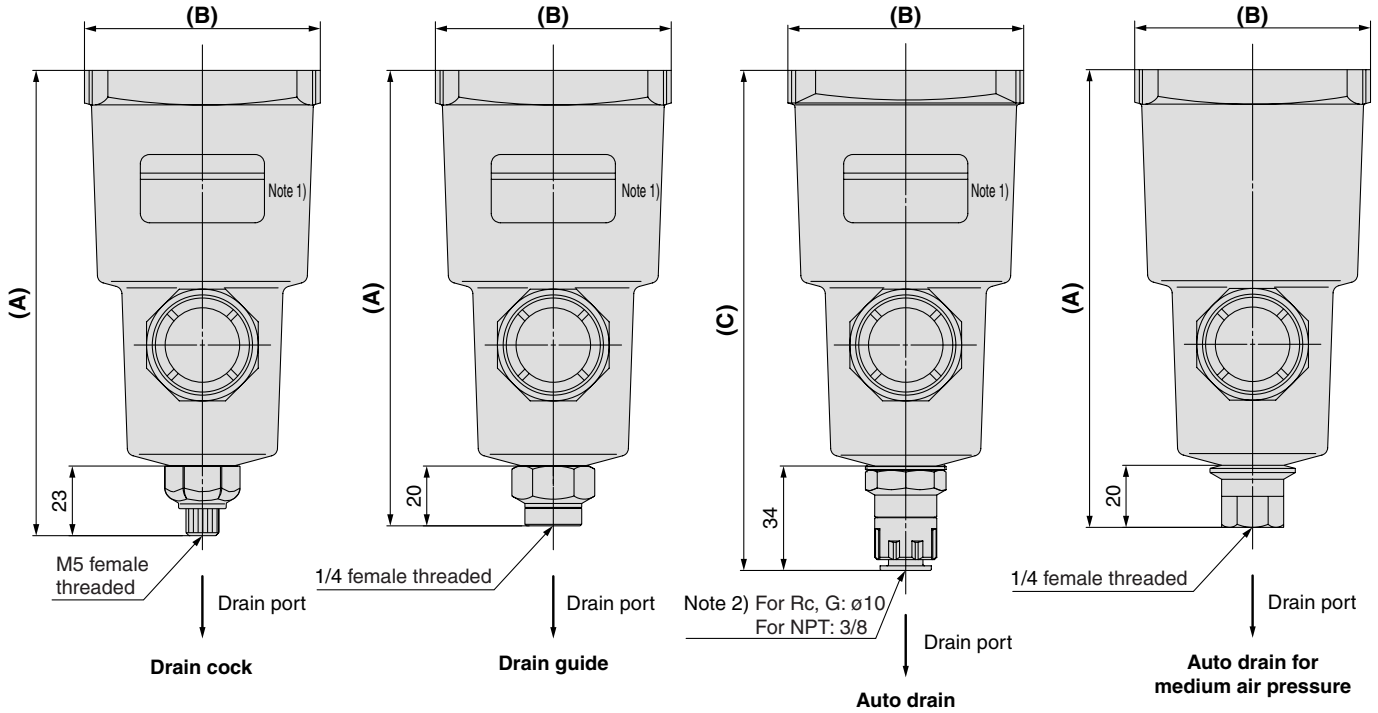
AD□

GD

AFF-CA□/AM□-CA□

Dimensions: Series AFF, AM, AMD, AMH, AMG

Size: AFF2C to 22C, AFF37B, AM□150C to 550C, AM□650

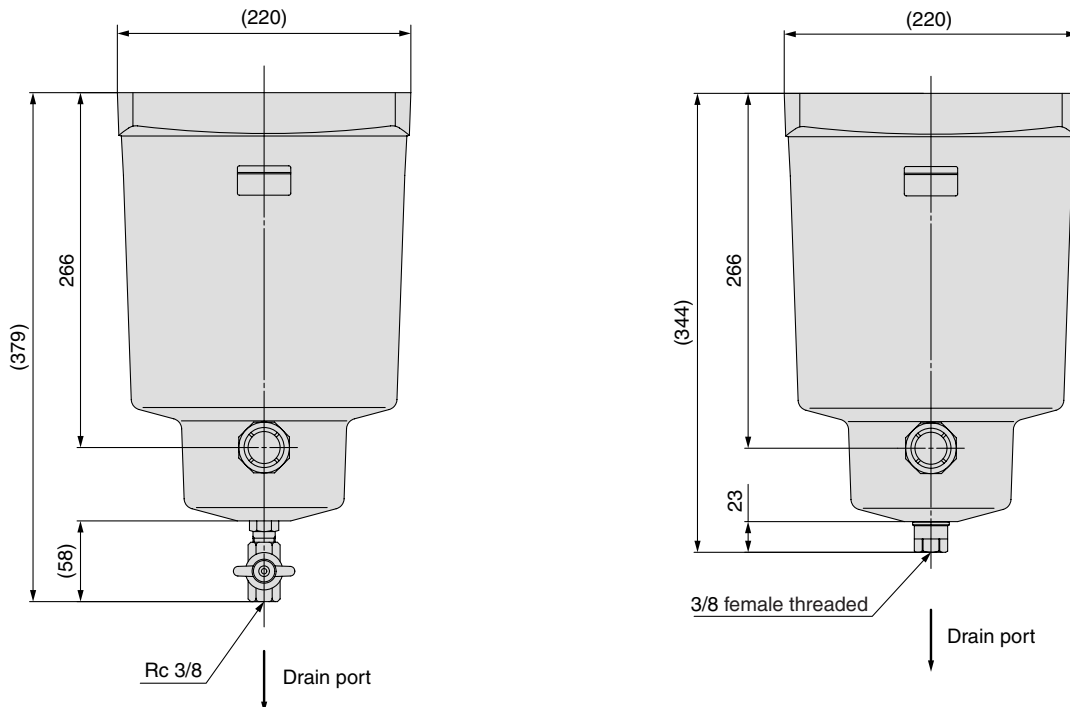


(mm)

Series AFF	Series AM, AMD, AMG, AMH	A	B	C
Size	Size			
2C	150C	137	63	148
4C	250C	142	76	153
8C	350C	165	90	176
11C	450C	181	106	192
22C	550C	205	122	216
37B	650	248	160	259

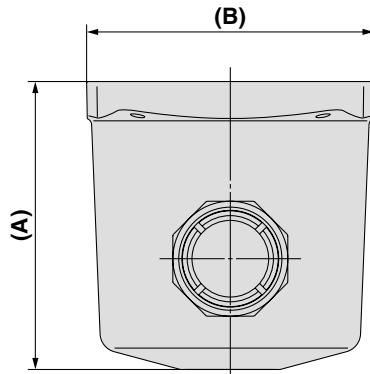
Note 1) Model no. labels are not affixed to the AM-CA150C to 550C.
 Note 2) Select according to the body thread type.
 Applicable tubing size for One-touch fitting
 Rc, G: $\phi 10$
 NPT: $\phi 3/8$ inch

Size: AFF75B, AM□850



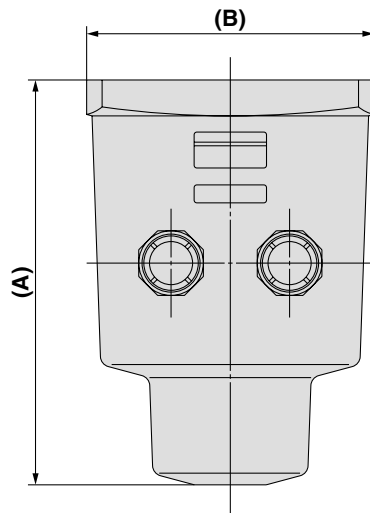
Dimensions: Series AME, AMF

■ AME150C to 550C, AMF150C to 550C



(mm)		
Series AME, AMF	A	B
Size		
150	60	63
250	70	76
350	90	90
450	104	106
550	130	122

■ AME650/850, AMF650/850



(mm)		
Series AME, AMF	A	B
Size		
650	225	160
850	319	120

HAA
HAW
AT
IDF
IDU
IDFA
IDFB
ID
IDG
AMG
AFF
AM
AMD
AMH
AME
AMF
SF
SFD
LLB
AD□
GD