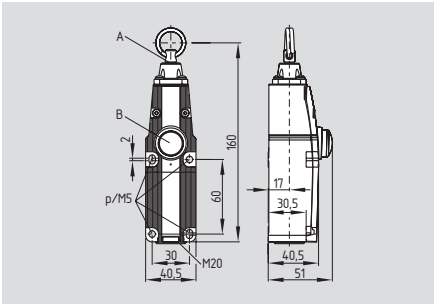


Pull-wire Emergency-Stop switches

ZQ 700



- To EN ISO 13850 / IEC 60947-5-5
- Thermoplastic enclosure
- Double insulated □
- 2 contacts
- Position indicator
- Large wiring compartment
- 1 cable entry M20
- One tension force for wire lengths up to 10 m
- Wire up to 10 m long
- Reset button
- Twisting of connection ring not possible
- Wire pull and breakage function
- AS-Interface Safety at Work available

Technical data

Standards: IEC/EN 60947-5-1
IEC/EN 60947-5-5
EN ISO 13850
Enclosure: thermoplastic
Cover: thermoplastic
Protection class: IP67 to IEC/EN 60529
Contact material: silver
Contact type: 1 NC/1 NO
or 2 NC
Switching principle: ⊖ IEC 60947-5-1
snap action with positive
break NC contacts

Connection: screw terminals
Cable section: max. 2.5 mm²
(incl. conductor ferrules)

Cable entry: 1 x M20
U_{imp}: 6 kV
U_i: 500 V
I_{thc}: 10 A
Utilization category: AC-15, DC-13
I_e/U_e: 4 A / 230 VAC
4 A / 24 VDC

Max. fuse rating: 6 A gG D-fuse
to DIN EN 60269-1
Ambient temperature: -25 °C ... +70 °C
Mechanical life: > 1 million operations
Maximum cable length: 10 m
(please observe ambient
temperature range
and wire supports)

Features: wire pull and
breakage detection

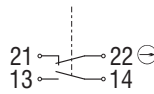
Classification:

Standards: EN ISO 13849-1
B_{10d} (NC): 100,000
Mission time: 20 years

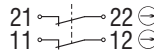
$$MTTF_d = \frac{B_{10d}}{0,1 \times n_{op}} \quad n_{op} = \frac{d_{op} \times h_{op} \times 3600 \text{ s/h}}{t_{cycle}}$$

Contact variants

1 NO/1 NC



2 NC



Approvals



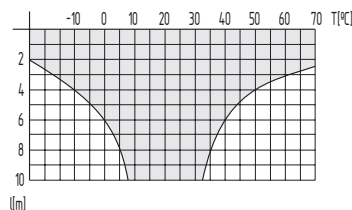
Ordering details

ZQ 700-①

No.	Replace	Description
①	11	1 NO/1 NC
	02	2 NC

Note

Recommended cable lengths for pull-wire
Emergency-Stop switches in relation to the
range of ambient temperature.
At 2 to 5 m distance intermediate wire supports
are required, see accessories.



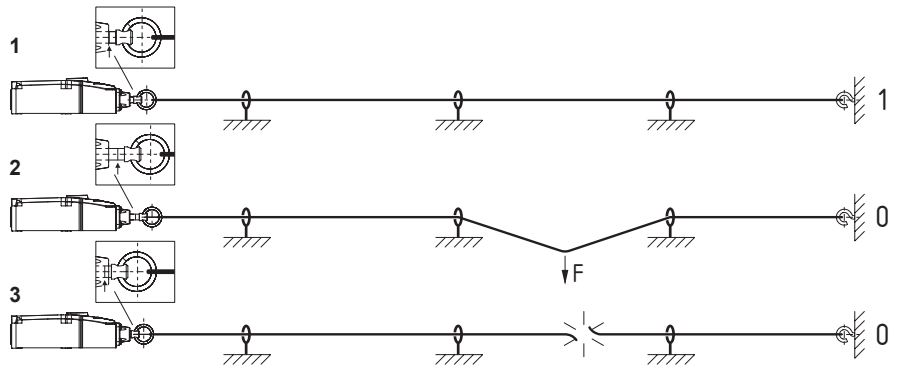
Pull-wire Emergency-Stop switches

Mode of operation

Legend

- 1 Not actuated
- 2 Wire pull detection
- 3 Wire breakage detection

Wire pull and breakage detection



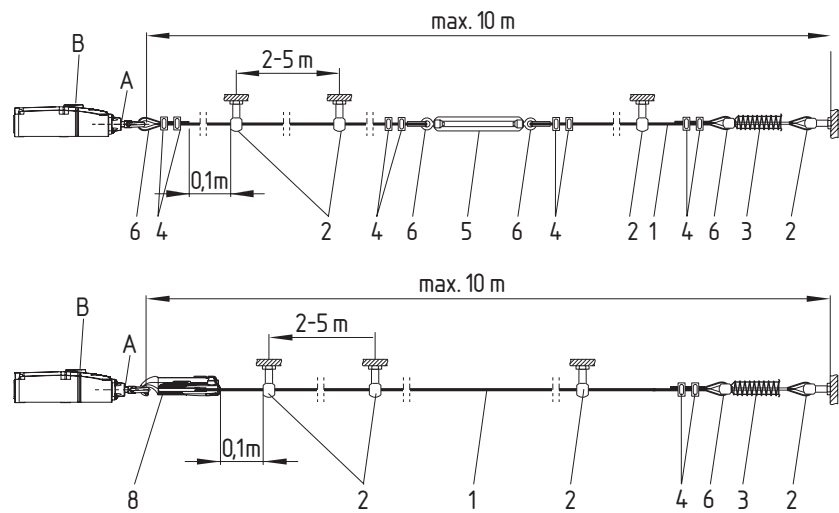
Mounting instructions

Legend

- 1 Wire rope (STQ441-SC)
- 2 Eyebolt (STQ441-EB)
- 3 Spring (STQ441-SS)
- 4 Wire clamp (STQ441-CC)
- 5 Tensioner (STQ441-TB)
- 6 Wire thimble (STQ441-TH)
- 7 Shackle (S900-SH)
- 8 Rope tensioner (S900)

- A Position indicator
- B Reset button

One-side operation



Mounting instructions

As the thimbles are subject to deformation in case of wire pull, the wire should be pulled several times after fitting. After that, the wire must be re-tensioned using the eyebolt or the tensioner.

Thimble deformation

