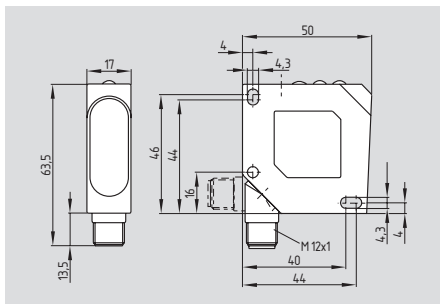


Safety light curtains and safety light grids

LF 50-11P



- Range up to 5.5 m
- Connector plug can be rotated
- LED status display
- Protection class IP67
- Infrared light 660 nm
- Laser protection class 1
- Polarisation filter
- Antivalent switching outputs

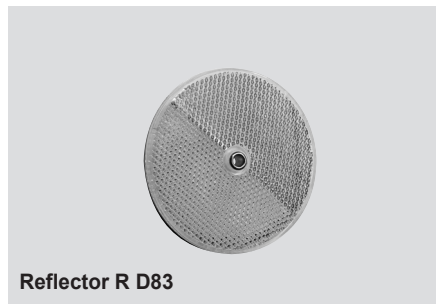
Technical data

Standards:	EN 60974-5-2
Laser protection class 1	EN 60825-1-10/03
Enclosure:	ABS
Enclosure dimensions:	50 x 50 x 17 mm
Connection:	Connector plug M12, 4-pole, can be rotated
Max. cable length:	100 m
Protection class:	IP67
Switching frequency:	2500 Hz
Range:	0 ... 5.5 m
Infrared laser light:	660 nm
U _e :	10 ... 30 VDC
Switching output:	2 x PNP 200 mA
Beam diameter:	5 ... 24 mm
LED status display:	soiling, switching condition and power on
Ambient temperature:	-20 °C ... +60 °C
Storage and transport temperature:	-20 °C ... +80 °C

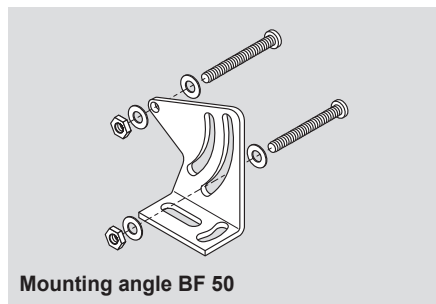
System components



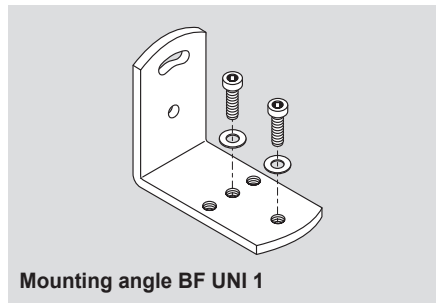
Reflector R 51 x 61-L



Reflector R D83



Mounting angle BF 50



Mounting angle BF UNI 1

Approvals



Ordering details

LF 50-11P

Note:

System components (cables, mounting angles, etc.) not included in the delivery.

Ordering details

Connector M12, 4-pole straight	
without cable	KD M12-4
with cable 2 m	KD M12-4-2M
with cable 5 m	KD M12-4-5M

Connecting cable to connect SLG 425I
M12, 4-pole to M8, 3-pole, 2 m **KA-0965**

Ordering details

Reflector	R 51 x 61-L
Reflector	R D83
Mounting angle	BF 50
Mounting angle universal	BF UNI 1