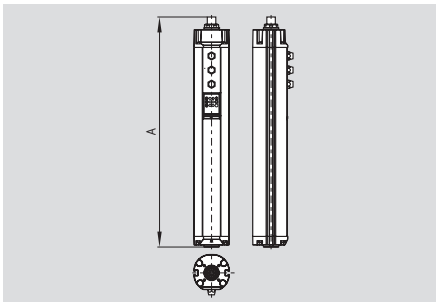


# Safety light curtains and safety light grids

## SLC 425I



- Safety light curtain
- Type 4 to IEC/EN 61496-1, -2
- Resolution 14 and 30 mm
- Protection field heights 170 mm ... 1770 mm
- Integrated start/restart interlock
- Integrated contactor control
- Integrated muting and override function
- Integrated blanking function (fixed and mobile blanking)
- Cyclic operation (1 ... 8 Cycles)
- Range 0.3 ... 10 m
- Fail-safe transistor outputs
- Optical synchronisation
- Status display
- Different muting sequences can be parameterized
- Protection class IP67

**Legend:** A = Total length

**Emitter:**

A = 84.5 mm + Protection field height

**Receiver:**

A = 148.5 mm + Protection field height

**Approvals**

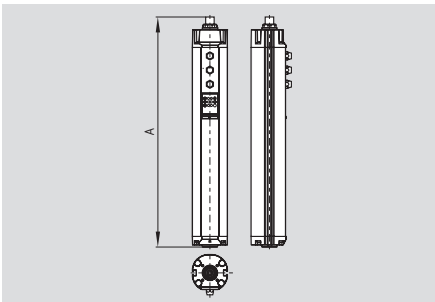


## Ordering details

### SLC 425I-E/R①-②-RFBC

No.	Option	Description
①	xxxx	Protected heights (mm) 0170, 0250, 0330, 0410, 0490, 0570, 0650, 0730, 0810, 0890, 0970, 1050, 1130, 1210, 1290, 1370, 1450, 1530*, 1610*, 1690*, 1770*
②	14, 30	Resolution 14 mm, 30 mm

## SLG 425I



- Safety light grid
- 2-, 3-, 4-beam light grid
- Protection field heights 500, 800 or 900 mm
- Range 0.3 ... 18 m

**Legend:** A = Total length

**Emitter:**

2-beam A = 804 mm  
3 and 4-beam A = 1124 mm

**Receiver:**

2-beam A = 868 mm  
3 and 4-beam A = 1188 mm

**Approvals**



## Ordering details

### SLG 425I-E/R①-RF

No.	Option	Description
①	Distance between outermost beams:	
	0500-02	500 mm, 2-beam
	0800-03	800 mm, 3-beam
	0900-04	900 mm, 4-beam

Mounting brackets are included in the delivery.

**Note:**

\* only for resolution 30 mm

Converter for the parametrization NSR 0801

## Technical data

Standards: IEC/EN 61496-1/-2  
 Category: Type 4  
 Enclosure: aluminum  
 Enclosure dimensions: Ø 49 mm  
 Connection: Connector plug  
 - Emitter: M12, 4-pole,  
 - Receiver: M12, 8-pole,  
 - Muting sensors: 2 x connector plugs  
 M8, 3-pole  
 - Muting lamp: M8, 3-pole  
 Max. cable length: 100 m / 1 Ω  
 Protection class: IP67 to EN 60529  
 Response time: 7 ... 28.5 ms (Depends on length and resolution)

Detection sensitivity (Resolution): 14 and 30 mm  
 Protection field height:  
 - Resolution 14 mm 170 ... 1450 mm  
 - Resolution 30 mm 170 ... 1770 mm  
 - 2-, 3-, 4-beam 500, 800, 900 mm  
 Protection field width, Range:  
 - Resolution 14 mm 0.3 m ... 7 m  
 - Resolution 30 mm 0.3 m ... 10 m  
 - 2-, 3-, 4-beam 0.3 m ... 18 m  
 Start/restart interlock: Integrated  
 Contactor control: Integrated  
 Muting and override function: Integrated  
 Muting sensors: 2 or 4 external sensors  
 Light emission wavelength: 880 nm (infrared)  
 U<sub>e</sub>: 24 VDC ± 10%  
 Safety outputs: 2 x PNP, 500 mA  
 Power consumption: Emitter 4 W, Receiver 8 W  
 Data interface: RS 485  
 Status and diagnostics: LED display  
 Ambient temperature: -10 °C ... +50 °C  
 Storage and transport temperature: -20 °C ... +70 °C

**Classification:**

Standards: EN ISO 13849-1; IEC 61508; IEC 60947-5-3

PL: up to e  
 Category: up to 4  
 PFH-value: 7.42 x 10<sup>-9</sup>/h  
 SIL: up to 3  
 Service life: 20 years

## Ordering details

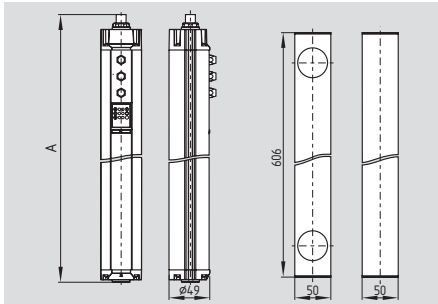
**Connector:**

Female connector M12, 4-pole straight  
**for emitter**  
 cable length 5 m **KA-0804**  
 cable length 10 m **KA-0805**  
 cable length 20 m **KA-0808**  
 Female connector M12, 8-pole straight  
**for receiver**  
 cable length 5 m **KA-0904**  
 cable length 10 m **KA-0905**  
 cable length 20 m **KA-0908**

**Connecting cable for the muting sensors**  
 M8, 3-pole to M12, 4-pole, 2 m **KA-0965**

# Safety light curtains and safety light grids

## SLG 425-IP



### • Safety light grid

- Emitter and receiver in one enclosure (retro reflector)
- Type 4 to IEC/EN 61496-1, -2
- Protection field heights 500 mm
- 2-beam light grid
- Integrated start/restart interlock
- Integrated muting and override function
- Range 0.3 m ... 7 m
- Fail-safe transistor outputs
- Status display
- Protection class IP67

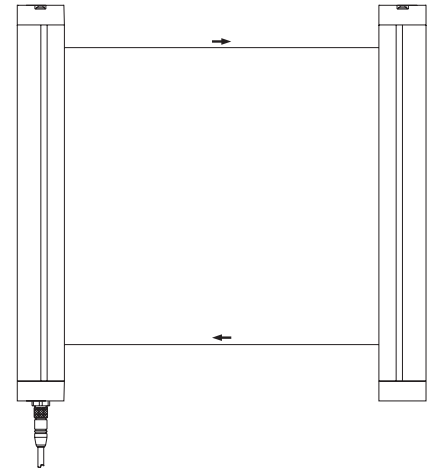
## Technical data

Standards:	IEC/EN 61496-1/-2
Category:	Type 4
Enclosure:	aluminum
Enclosure dimensions:	Ø 49 mm
Deflecting mirror:	50 x 50 x 606 mm
Connection:	Connector plug
- emitter/receiver:	M12, 8-pole
Max. cable length:	100 m / 1 Ω
Protection class:	IP67 to EN 60529
Response time:	15 ms
Detection sensitivity (Resolution):	500 mm
Protection field height:	500 mm
Protection field width, Range:	0.3 m ... 7 m
Start/restart interlock:	Integrated
Light emission wavelength:	880 nm (infrared)
U <sub>e</sub> :	24 VDC ± 10%
Safety outputs:	2 x PNP, 500 mA
Power consumption:	10 W
Data interface:	RS 485
Status and diagnostics:	LED display
Ambient temperature:	-10 °C ... +50 °C
Storage and transport temperature:	-20 °C ... +70 °C

### Classification:

Standards:	EN ISO 13849-1; IEC 61508; IEC 60947-5-3
PL:	up to e
Category:	up to 4
PFH-value:	7.42 x 10 <sup>-9</sup> /h
SIL:	up to 3
Service life:	20 years

## Technical data



### Approvals



## Ordering details

SLG 425IP-E/R0500-02-RF  
ULS-P-0501

Light grid  
Deflecting mirror

## Note

Mounting brackets are included in the delivery.

### Note

Converter for the parametrization NSR 0801

## Ordering details

### Connector:

Female connector M12, 8-pole straight  
cable length 5 m  
cable length 10 m  
cable length 20 m

**KA-0904**  
**KA-0905**  
**KA-0908**