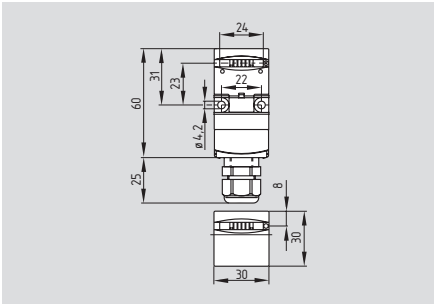


Safety switch with separate actuator

AZ 17



- Thermoplastic enclosure
- Small body
- Long life
- Double insulated □
- Including cable gland M16
- Slot sealing plug included
- High level of contact reliability with low voltages and currents
- Not sensitive to dirty conditions by virtue of patented roller system
- 8 actuating planes
- Cut clamp terminals (IDC method) or connector
- EX version available

Technical data

Standards: IEC/EN 60947-5-1
BG-GS-ET-15
Enclosure: glass fiber reinforced thermoplastic, self-extinguishing
Actuator: stainless steel 1.4301
Protection class: IP67 to EN 60529
Contact material: silver
Contact type: change-over contact with double break, type Zb or 2 NC contacts, with galvanically separated contact bridges

Switching principle: ⊖ IEC 60947-5-1 slow action, NC contact with positive break
Connection: cut clamp terminals (IDC method) or connector M12, 4-pole

Cable section: 0.75 - 1.0 mm², flexible

U_{imp}: 4 kV
U_i: 250 V
I_{the}: 10 A
Utilization category: AC-15
I_e/U_e: 4 A / 230 VAC
Max. fuse rating: 6 A gG D-fuse
Positive break travel: 11 mm
Positive break force: 17 N for each NC contact fitted

Ambient temperature: -30 °C ... +80 °C
Mechanical life: > 1 million operations
Latching force: 30 N for ordering suffix R

Classification:
Standards: EN ISO 13849-1
B_{10d} (NC): 2,000,000
B_{10d} (NO): 1,000,000
for max. 10% ohmic contact load

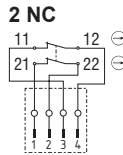
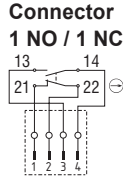
Mean time to failure: 20 years

$$MTTF_d = \frac{B_{10d}}{0,1 \times n_{op}} \quad n_{op} = \frac{d_{op} \times h_{op} \times 3600 \text{ s/h}}{t_{cycle}}$$

Contact variants

1 NO / 1 NC
13 → 14
21 → 22 ⊖

2 NC
11 → 12 ⊖
21 → 22 ⊖



Front cable output

1 NO / 1 NC
BN 13 → 14 BU
BK 21 → 22 GY ⊖

2 NC
BN 11 → 12 BU ⊖
BK 21 → 22 GY ⊖

Rear cable output

1 NO / 1 NC
GY 13 → 14 BK
BU 21 → 22 BN ⊖

2 NC
GY 11 → 12 BK ⊖
BU 21 → 22 BN ⊖



Approvals

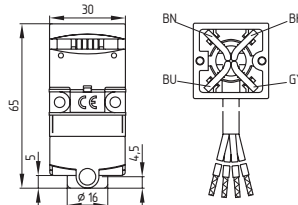


Ordering details

AZ 17-①Z②K-③-④-⑤

No.	Option	Description
①	11	1 NO / 1 NC
	02	2 NC
②		Latching force 5 N
	R	Latching force 30 N
③		Cable gland M16
	2243	Cable output front
	2243-1	rear
	ST	Connector M12
④	1637	Gold-plated contacts
⑤	5M	Cable length 5 m
	6M	Cable length 6 m

Note



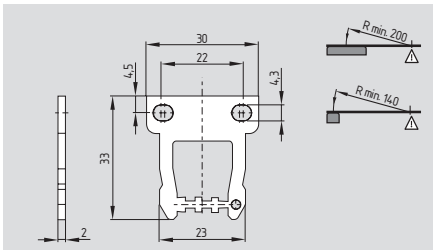
- Front cable output, ordering suffix -2243
- Rear cable output, ordering suffix -2243-1

Note

Actuators must be ordered separately.

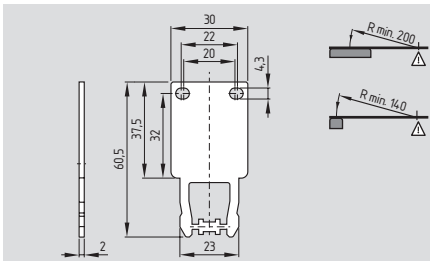
Safety switch with separate actuator

System components



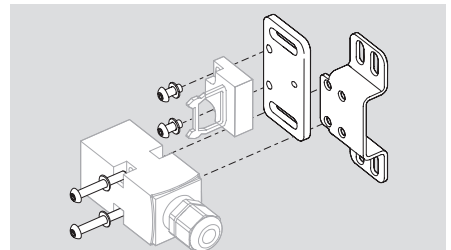
Straight actuator AZ 17/170-B1

System components

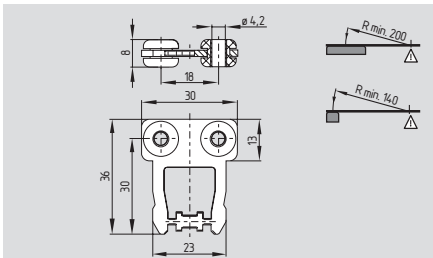


Long straight actuator AZ 17/170-B11

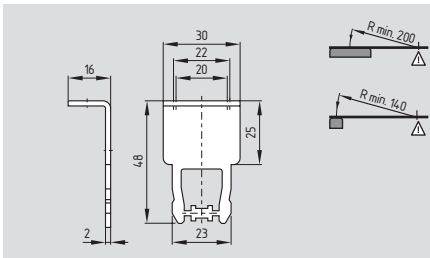
System components



Mounting set MS AZ 17



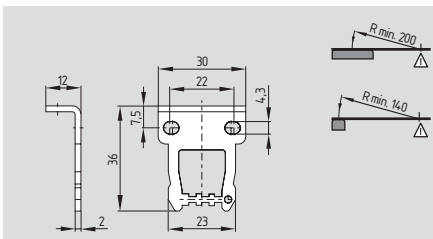
With rubber mounting AZ 17/170-B1-2245



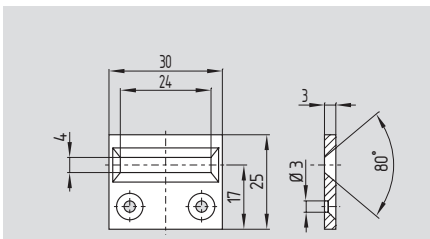
Long angled actuator AZ 17/170-B15



Connector plug



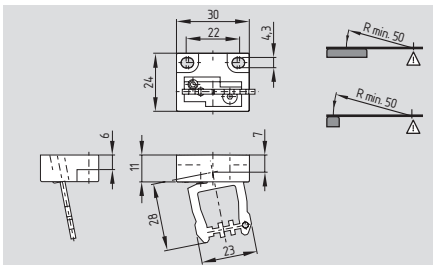
Angled actuator AZ 17/170-B5



Centering guide AZM 170-B



Tamperproof screws



Flexible actuator AZ 17-B6

Ordering details

Straight actuator **AZ 17/170-B1**
 with rubber mounting **AZ 17/170-B1-2245**
 Angled actuator **AZ 17/170-B5**
 Flexible actuator **AZ 17-B6**

Ordering details

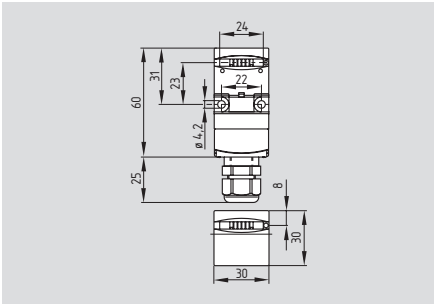
Long straight actuator **AZ 17/170-B11**
 Long angled actuator **AZ 17/170-B15**
 Centering guide **AZM 170-B**
 Centering device
 Mounting outside **TFA-020**
 Mounting inside **TFI-020**
 (Product information see page 1-52)

Ordering details

Mounting set **MS AZ 17 P**
MS AZ 17 R/P
 Connector plug M12, 4-pole
 without cable **101209950**
 with cable 5 m **101208523**
 Tamperproof screws with
 unidirectional slots M4 x 8
 (Quantity 2 pcs) **101147463**

Safety switch with separate actuator

AZ 17-...I



- With individual coding, up to 200 combinations
- Thermoplastic enclosure
- Small body
- Long life
- Double insulated □
- Including cable gland M16
- Slot sealing plug included
- High level of contact reliability with low voltages and currents
- Not sensitive to dirty conditions by virtue of patented roller system
- 8 actuating planes
- Cut clamp terminals (IDC method) or connector

Technical data

Standards: IEC/EN 60947-5-1
BG-GS-ET-15
Enclosure: glass fiber reinforced thermoplastic, self-extinguishing
Actuator: stainless steel 1.4301
Protection class: IP67 to EN 60529
Contact material: silver
Contact type: change-over contact with double break, type Zb or 2 NC contacts, with galvanically separated contact bridges

Switching principle: ⊖ IEC 60947-5-1 slow action, NC contact with positive break

Connection: cut clamp terminals (IDC method) or connector M12, 4-pole

Cable section: 0.75 - 1.0 mm², flexible
U_{imp}: 4 kV
U_i: 250 V
I_{the}: 10 A
Utilization category: AC-15
I_g/U_e: 4 A / 230 VAC
Max. fuse rating: 6 A gG D-fuse
Positive break travel: 11 mm
Positive break force: 17 N for each NC contact fitted

Ambient temperature: -30 °C ... +80 °C
Mechanical life: > 1 million operations
Latching force: 30 N for ordering suffix R

Classification:
Standards: EN ISO 13849-1
B_{10d} (NC): 2,000,000
B_{10d} (NO): 1,000,000
for max. 10% ohmic contact load
Mission time: 20 years

$$MTTF_d = \frac{B_{10d}}{0,1 \times n_{op}} \quad n_{op} = \frac{d_{op} \times h_{op} \times 3600 \text{ s/h}}{t_{cycle}}$$

Contact variants

1 NO / 1 NC

2 NC

Connector 1 NO / 1 NC



2 NC

Approvals



Ordering details

AZ 17-①Z②I-③-④-⑤

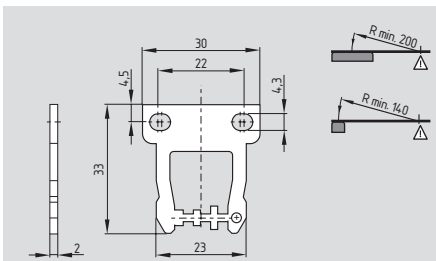
No.	Option	Description
①	11 02	1 NO / 1 NC 2 NC
②	R	Latching force 5 N Latching force 30 N
③	ST	Cable gland M16 Connector M12
④	B1 B5 B6L B6R	Incl. actuator B1 Incl. actuator B5 Incl. actuator B6L Incl. actuator B6R
⑤	1637	Gold-plated contacts

Note

The part number of the actuator is appended to the part number of the switch. The actuators are **not individually** available.

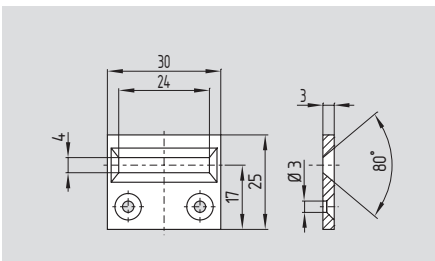
Safety switch with separate actuator

System components



Straight actuator B1

System components

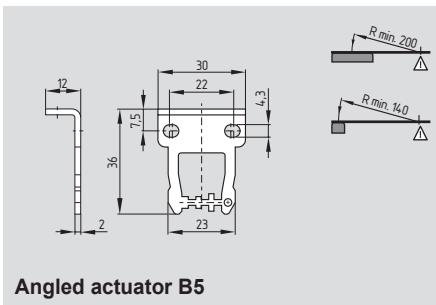


Centering guide AZM 170-B

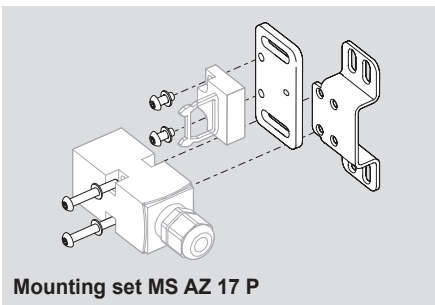
System components



Connector plug



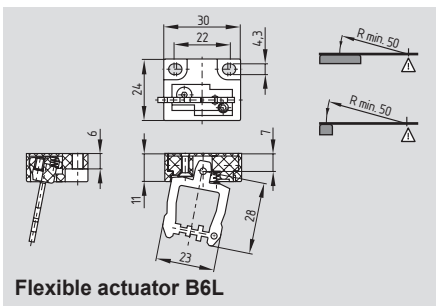
Angled actuator B5



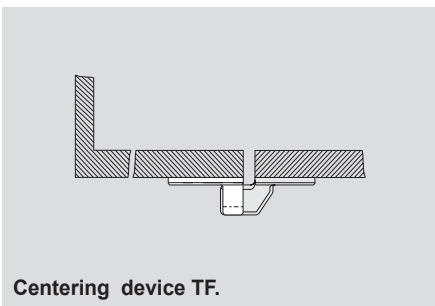
Mounting set MS AZ 17 P



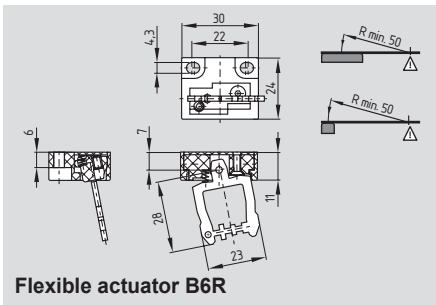
Tamperproof screws



Flexible actuator B6L



Centering device TF.



Flexible actuator B6R

Ordering details

Straight actuator
 Angled actuator
 Flexible actuator left
 Flexible actuator right

B1
B5
B6L
B6R

Centering guide
 Mounting set
Centering device
 Mounting outside
 Mounting inside
 (Product information see page 1-52)

AZM 170-B
MS AZ 17 P
MS AZ 17 R/P

TFA-020
TFI-020

Ordering details

Connector plug M12, 4-pole
 without cable
 with cable 5 m

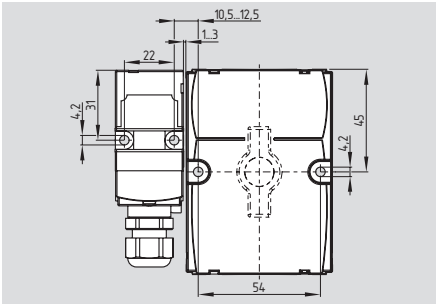
101209950
101208523

Tamperproof screws with
 unidirectional slots M4 x 8
 (Quantity 2 pcs)

101147463

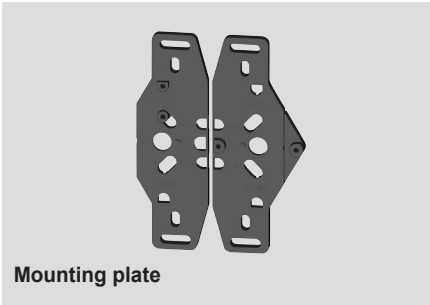
Safety switch with separate actuator

Actuator AZ 17-B25

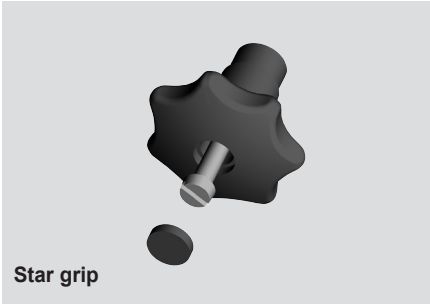


- Door-handle actuator for safety switches with separate actuator AZ 17-...ZRK (latching)
- Ergonomic operation
- No supplementary door-handle required
- No protruding actuator
- Simple mounting
- Several door-handles available
- Possibility to mount custom handles using a default square screw (8mm)
- Mounting plate for fitting to standard profiles optionally available

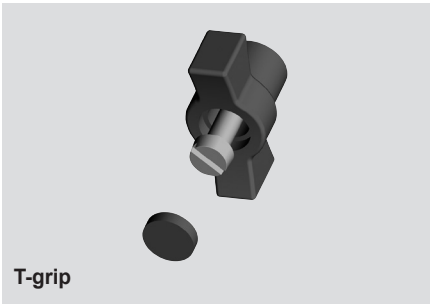
System components



Mounting plate



Star grip



T-grip

Note

The safety switch or solenoid interlock is not included in delivery and must be ordered separately.

Please note that you need a device with latching (R).

The technical data of the AZ 17-...ZRK safety switch can be found in this main catalog page 1-2 or in the online catalog at www.usa.schmersal.net

Approvals



Ordering details

AZ 17-B25-①-②

No.	Option	Description
①	L	Door hinge left
	R	Door hinge right (View directed towards the inside of the hazardous area)
②	G0	Actuator without handle
	G1	Star grip
	G2	T-grip

Ordering details

Mounting plate	MP AZ 17/170-B25
Star grip	G1
T-grip	G2