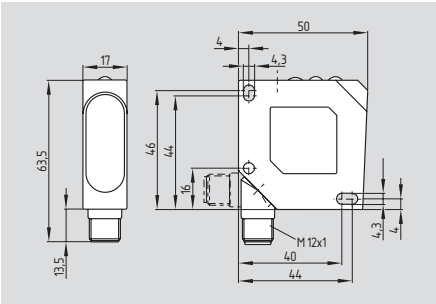


# Safety light curtains and safety light grids

## LF 50-11P



- Muting sensor for Safety Light Curtains
- Range up to 5.5 m
- Connector plug can be rotated
- LED status display
- Protection class IP67
- Infrared light 660 nm
- Laser protection class 1
- Polarisation filter
- Antivalent switching outputs

### Approvals



## Ordering details

**LF 50-11P**

**Note:**

System components (cables, mounting angles, etc.) not included in the delivery.

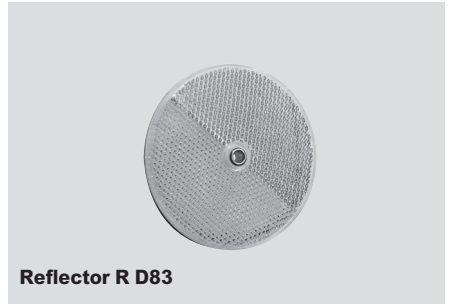
## Technical data

Standards: EN 60974-5-2  
 Laser protection class 1 EN 60825-1-10/03  
 Enclosure: ABS  
 Enclosure dimensions: 50 x 50 x 17 mm  
 Connection: Connector plug M12, 4-pole, can be rotated  
 Max. cable length: 100 m  
 Protection class: IP67  
 Switching frequency: 2500 Hz  
 Range: 0 ... 5.5 m  
 Infrared laser light: 660 nm  
 U<sub>e</sub>: 10 ... 30 VDC  
 Switching output: 2 x PNP 200 mA  
 Beam diameter: 5 ... 24 mm  
 LED status display: soiling, switching condition and power on  
 Ambient temperature: -20 °C ... +60 °C  
 Storage and transport temperature: -20 °C ... +80 °C

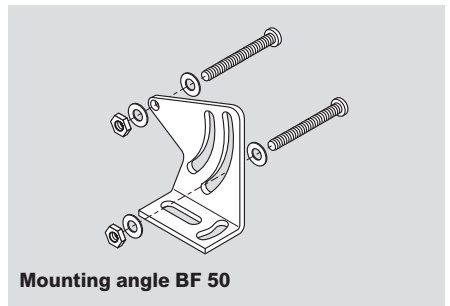
## System components



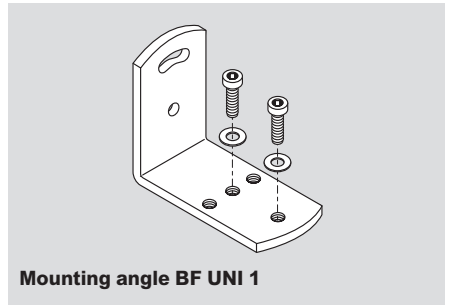
**Reflector R 51 x 61-L**



**Reflector R D83**



**Mounting angle BF 50**



**Mounting angle BF UNI 1**

## Ordering details

**Connector** M12, 4-pole straight  
 without cable **KD M12-4**  
 with cable 2 m **KD M12-4-2M**  
 with cable 5 m **KD M12-4-5M**

**Connecting cable to connect SLG 425I**  
 M12, 4-pole to M8, 3-pole, 2 m **KA-0965**

## Ordering details

Reflector **R 51 x 61-L**  
 Reflector **R D83**  
 Mounting angle **BF 50**  
 Mounting angle universal **BF UNI 1**