



## PS116-Z12-LR200-N200

- Pre-wired cable right, 2 m
- Snap action 1 Normally open contact (NO) / 2 Opener (NC)
- Thermoplastic enclosure
- Symmetric enclosure
- Lever angle adjustable in 15° steps
- Protection class IP66, IP67
- Actuator heads can be repositioned by 8 x 45°
- length adjustable in 2 mm steps

## Data

### Ordering data

Product type description	PS116-Z12-LR200-N200
Article number (order number)	103006595
EAN (European Article Number)	4030661442440
eCl@ss number, version 12.0	27-27-26-01
eCl@ss number, version 11.0	27-27-26-01
eCl@ss number, version 9.0	27-27-26-01
ETIM number, version 7.0	EC000030
ETIM number, version 6.0	EC000030

### Approvals - Standards

Certificates	cULus
	CCC
	EAC

## General data

Standards	EN IEC 60947-5-1
Terminal (mechanical)	right
Housing construction form	Norm construction design
Enclosure material	Plastic, glass-fibre reinforced thermoplastic, zinc die-cast, chromated
Material of the contacts, electrical	Silver
Gross weight	256 g

## General data - Features

Safety functions	Yes
Number of auxiliary contacts	1
Number of safety contacts	2

## Safety classification

Standards	EN ISO 13849-1
Mission time	20 Year(s)

## Safety classification - Safety outputs

B <sub>10D</sub> Normally-closed contact (NC)	20,000,000 Operations
---	-----------------------

## Mechanical data

Actuating element	Roller lever N200
Mechanical life, minimum	10,000,000 Operations
Positive break force, minimum	40 N
Actuating speed, minimum	10 mm/min
Actuating speed, maximum	1 m/s
Actuating torque, minimum	0.2 Nm

Positive break torque	0.6 Nm
-----------------------	--------

### Mechanical data - Connection technique

Termination	Cable, 6-pole
Length of cable	2 m
Wire cross-section	0.5 mm <sup>2</sup>
Cable type	LiYY

### Mechanical data - Dimensions

Length of sensor	16.6 mm
Width of sensor	31 mm
Height of sensor	139 mm
Diameter of Castor	20 mm

### Ambient conditions

Degree of protection	IP67 IP66
Ambient temperature, minimum	-30 °C
Ambient temperature, maximum	+80 °C

### Ambient conditions - Insulation values

Rated insulation voltage $U_i$	300 V
Rated impulse withstand voltage $U_{imp}$	4 kV

### Electrical data

Thermal test current	5 A
Required rated short-circuit current	400 A

Utilisation category AC-15	240 VAC
Utilisation category AC-15	1.5 A
Utilisation category DC-13	24 VDC
Utilisation category DC-13	1.5 A
Switching element	NO contact, NC contact
Switching principle	Snap action
Bounce duration, maximum	3 ms
Switching frequency	5,000 /h
Switchover time, maximum	5.5 ms

## Ordering code

Product type description:

PS116-(1)-(2)-(3)-(4)

(1)

<b>Z11</b>	Snap action 1 NO contact / 1 NC contact
<b>Z02</b>	Snap action 2 NC contacts
<b>Z12</b>	Snap action 1 NO contact / 2 NC contact
<b>Z11R</b>	Snap action 1 NO contact / 1 NC contact with latching
<b>Z02R</b>	Snap action 2 NC contacts with latching
<b>Z12R</b>	Snap action 1 NO contact / 2 NC contact with latching
<b>T11</b>	Slow action 1 NO contact / 1 NC contact
<b>T02</b>	Slow action 2 NC contacts
<b>T20</b>	Slow action 2 NO contact
<b>T12</b>	Slow action 1 NO contact / 2 NC contact
<b>T21</b>	Slow action 2 NO contact / 1 NC contact
<b>T03</b>	Slow action 3 NC contacts
<b>T11UE</b>	Slow action 1 NO contact / 1 NC contact with overlapping contacts
<b>T02H</b>	Slow action 2 NC contacts with staggered contacts

(2)

---

<b>L200</b>	Connecting cable bottom, cable length 2 m
<b>LR200</b>	Connecting cable right, cable length 2 m
<b>LR300</b>	Connecting cable right, cable length 3 m
<b>LR500</b>	Connecting cable right, cable length 5 m
<b>ST</b>	Connector plug M12 - plastic - bottom
<b>STR</b>	Connector plug M12, right

(3)

---

<b>S200</b>	plunger S200 Ø 6 mm
<b>R200</b>	Roller plunger R200
<b>K200</b>	Offset roller lever - plastic roller- width 5.3 mm - Ø 12 mm
<b>K210</b>	Offset roller lever - plastic roller- width 5mm - Ø 14mm
<b>K230</b>	Angle roller lever - plastic roller Ø 14 mm
<b>K240</b>	Angle roller lever with plastic roller Ø 22 mm - right-bent
<b>K250</b>	Angle roller lever with plastic roller Ø 22 mm - left-bent
<b>H200</b>	Roller lever - plastic roller Ø 16 m - lever length 24 mm
<b>N200</b>	Roller lever 2 mm Toothing (24...26mm) - Plastic roller Ø 20 mm - Width 9.8 mm
<b>J200</b>	Rod lever - plastic - 200mm -Ø 6mm

(4)

---

<b>0</b>	Material Castor/Lever: Plastic
<b>1</b>	Material Castor/Lever: Stainless steel
<b>2</b>	Material Castor/Lever: Brass
<b>3</b>	Material Castor/Lever: Aluminium
<b>4</b>	Material Castor/Lever: Steel

## Pictures

**Product picture (catalogue individual photo)**

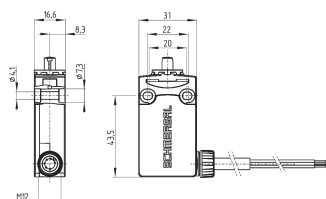


ID: kps1nf01

| 313.8 kB | .jpg | 352.778 x 416.631 mm - 1000 x 1181 px - 72 dpi

| 22.8 kB | .png | 74.083 x 87.489 mm - 210 x 248 px - 72 dpi

## Dimensional drawing basic component



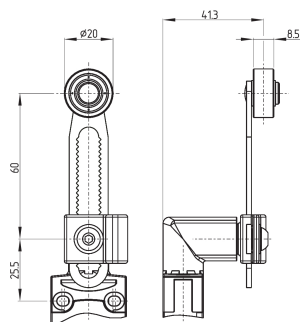
ID: kps11g04

| 246.1 kB | .ai | 200 x 200 mm - 566 x 566 px - 72 dpi

| 4.0 kB | .png | 74.083 x 44.803 mm - 210 x 127 px - 72 dpi

| 98.3 kB | .jpg | 352.778 x 214.136 mm - 1000 x 607 px - 72 dpi

## Dimensional drawing actuator



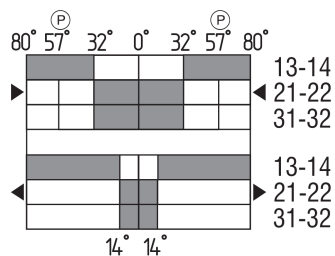
ID: kps11b10

| 445.4 kB | .ai | 141.812 x 138.775 mm - 401 x 393 px - 72 dpi

| 13.7 kB | .png | 74.083 x 72.672 mm - 210 x 206 px - 72 dpi

| 195.0 kB | .jpg | 352.778 x 383.469 mm - 1000 x 1087 px - 72 dpi

## Switch travel diagram



ID: kps11s57

| 3.2 kB | .png | 74.083 x 57.856 mm - 210 x 164 px - 72 dpi

| 126.1 kB | .jpg | 352.778 x 275.519 mm - 1000 x 781 px - 72 dpi

## Diagram

(5) BN 13 — 14 PK (6)  
(1) GN 21 — 22 GY (2)  
(3) YE 31 — 32 WH (4)

ID: kps16k03

| 85.8 kB | .jpg | 352.778 x 97.367 mm - 1000 x 276 px - 72 dpi

| 4.0 kB | .png | 74.083 x 20.461 mm - 210 x 58 px - 72 dpi

Schmersal, Inc., 15 Skyline Drive, Hawthorne, NY 10532

The details and data referred to have been carefully checked. Images may diverge from original. Further technical data can be found in the manual. Technical amendments and errors possible.

Generated on: 12/16/2022, 2:29 AM