



PS315-Z12-N300

- Metal enclosure
- Quick connection technology as connection terminals rotated by 45°
- Simple and quick to adjust the control elements by 45°.
- cable entry 1 x M20 x 1,5
- Design to EN 50041
- Lever angle adjustable in 15° steps
- length adjustable in 2 mm steps
- LED version available

Data

Ordering data

Product type description	PS315-Z12-N300
Article number (order number)	103015109
EAN (European Article Number)	4030661502885
eCl@ss number, version 12.0	27-27-26-01
eCl@ss number, version 11.0	27-27-26-01
eCl@ss number, version 9.0	27-27-26-01
ETIM number, version 7.0	EC000030
ETIM number, version 6.0	EC000030

Approvals - Standards

Certificates	cULus CCC EAC
--------------	---------------------

General data

Standards	EN IEC 60947-5-1
Housing construction form	Norm construction design
Enclosure material	Metal, zinc die-cast
Enclosure coating material	painted
Material of the contacts, electrical	Silver
Gross weight	392 g

General data - Features

Safety functions	Yes
Number of auxiliary contacts	1
Number of safety contacts	2

Safety classification

Standards	EN ISO 13849-1
Mission time	20 Year(s)

Safety classification - Safety outputs

B _{10D} Normally-closed contact (NC)	20,000,000 Operations
---	-----------------------

Mechanical data

Actuating element	Roller lever N300
Roller material	Plastic
Mechanical life, minimum	10,000,000 Operations
Positive break force, minimum	50 N
Actuating speed, minimum	10 mm/min
Actuating speed, maximum	1 m/s

Mechanical data - Connection technique

Termination	Screw terminals M20 x 1.5
Cable section, minimum	0.34 mm ²
Cable section, maximum	1.5 mm ²

Mechanical data - Dimensions

Length of sensor	37 mm
Width of sensor	41 mm
Height of sensor	168 mm

Ambient conditions

Degree of protection	IP67 IP66
Ambient temperature, minimum	-30 °C
Ambient temperature, maximum	+80 °C

Ambient conditions - Insulation values

Rated insulation voltage U_i	300 V
Rated impulse withstand voltage U_{imp}	4 kV

Electrical data

Thermal test current	5 A
Required rated short-circuit current	400 A
Utilisation category AC-15	240 VAC
Utilisation category AC-15	3 A
Utilisation category DC-13	24 VDC

Utilisation category DC-13	3 A
Switching element	1 NO contact, 2 NC contacts
Switching principle	Snap action
Switching frequency	5,000 /h

Ordering code

Product type description:

PS(2)-(3)-(4)-(5)-(6)-(7)-(8)-(9)-(10)-(11)-(12)

(1)

without	non-EX version
EX	Types of protection Ex d and t, to Zone 1/21
EXI	Types of protection Ex i and t, up to Zone 1/21

(2)

315	Metal enclosure
316	Thermoplastic enclosure

(3)

without	L-hole (standard)
L	elongated hole

(4)

Z11	Snap action 1 NO contact / 1 NC contact
Z02	Snap action 2 NC contacts
Z12	Snap action 1 NO contact / 2 NC contact
Z11R	Snap action 1 NO contact / 1 NC contact with latching
Z01R	Snap action 1 NC contact with latching
Z02R	Snap action 2 NC contacts with latching
T11	Slow action 1 NO contact / 1 NC contact
T02	Slow action 2 NC contacts

T20	Slow action 2 NO contact
T12	Slow action 1 NO contact / 2 NC contact
T21	Slow action 2 NO contact / 1 NC contact
T03	Slow action 3 NC contacts
T11UE	Slow action 1 NO contact / 1 NC contact with overlapping contacts
T02H	Slow action 2 NC contacts with staggered contacts
T11K	Slow action 1 NO contact + 1 NC contact - short-stroke
T10	Slow action 1 NO contact
T02K	Slow action 2 NO contacts short-stroke
T20H	Slow action 2 NO contacts staggered

(5)

without	Contacts silver plated (Standard)
A1	Gold contacts 0,3 µm
A2	Gold contacts 1,0 µm
A3	Gold contacts 3,0 µm

(6)

without	without indication light
G	integrated status display

(7)

without	Cable entry M20
ST	Connector plug M12 - plastic - bottom
STM	Connector plug M12, metal

(8)

S200	plunger S200 Ø 6 mm
S300	Plunger - plastic - tappet width Ø 9 mm
S310	Plunger - plastic - tappet width Ø 9 mm - with bellows
R300	Roller plunger - plastic roller - width 4.6 mm

R302	Roller plunger - brass roller - width 4.6 mm
R310	Roller plunger - plastic roller - width 4.6 mm
K360	Angle roller lever with plastic roller Ø 20 mm - left-bent
K370	Angle roller lever with plastic roller Ø 20 mm - right-bent
H300	Roller lever - plastic roller Ø 25 mm
H301	Roller lever - stainless steel roller Ø 25 mm
H302	Roller lever - brass roller Ø 25 mm
H310	Roller lever - plastic roller Ø 20 mm
H311	Roller lever - stainless steel roller Ø 20 mm
H312	Roller lever - brass roller Ø 20mm
H326	Roller lever - rubber roller Ø 20mm
H330	Roller lever
N300	Roller lever - plastic roller Ø 25 mm
N301	Roller lever - stainless steel roller Ø 20 mm
N306	Roller lever - rubber roller Ø 50mm
N360	Roller lever - plastic roller Ø 20 mm - width 9.8 mm - long
N370	Roller lever - plastic roller Ø 20 mm - width 9.8 mm - very long
J300	Rod lever - plastic - 200mm -Ø 6mm
F230	Spring rod - stainless steel - 150.4 mm
F231	Spring rod - stainless steel - 70.2 mm
A200	Special actuating bolt - plastic - valve control

(9)

without	no intent rotation (Standard)
U1	intent rotation 45°
U2	intent rotation 90°
U3	intent rotation 135°
U4	intent rotation 180°
U5	intent rotation 225°
U6	intent rotation 275°

U7 intent rotation 315°

(10)

without no lever rotation (Standard)

X1 lever rotation 15°

X2 lever rotation 30°

X3 lever rotation 45°

X4 lever rotation 60°

X5 lever rotation 75°

X6 lever rotation 90°

X7 lever rotation 105°

X8 lever rotation 120°

X9 lever rotation 135°

X10 lever rotation 150°

X11 lever rotation 165°

X12 lever rotation 180°

X13 lever rotation 195°

X14 lever rotation 210°

X15 lever rotation 225°

X16 lever rotation 240°

X17 lever rotation 255°

X18 lever rotation 270°

X19 lever rotation 285°

X20 lever rotation 300°

X21 lever rotation 315°

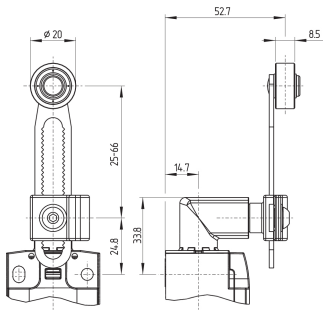
X22 lever rotation 330°

X23 lever rotation 345°

(11)

without Roller outside (Standard)

I Roller inside



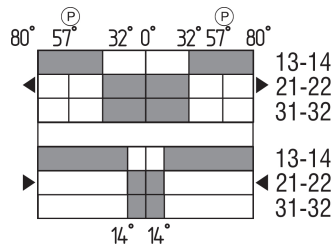
ID: kps3xb06

| 132.9 kB | .ai | 152.929 x 144.815 mm - 433 x 410 px - 72 dpi

| 5.7 kB | .png | 74.083 x 70.203 mm - 210 x 199 px - 72 dpi

| 169.9 kB | .jpg | 352.778 x 338.667 mm - 1000 x 960 px - 72 dpi

Switch travel diagram



ID: kps31s24

| 3.1 kB | .png | 74.083 x 55.739 mm - 210 x 158 px - 72 dpi

| 120.3 kB | .jpg | 352.778 x 264.936 mm - 1000 x 751 px - 72 dpi

Schmersal, Inc., 15 Skyline Drive, Hawthorne, NY 10532

The details and data referred to have been carefully checked. Images may diverge from original. Further technical data can be found in the manual. Technical amendments and errors possible.

Generated on: 12/16/2022, 1:28 AM