

Technical Specifications - NW Series - Bonded Window

"HWT" configuration - Stainless steel hinged, latched down cover



HWT Construction

Material	Hot compression molded fiberglass reinforced polyester, hand layup FRP
Gasket	Poured polyurethane seamless gasket provides watertight, dust-tight environmental seal
Stainless Steel Hardware	300 Series stainless used on all hardware
Mounting Bosses	Panel mounting capability for fixed rear panel
Metal inserts	All bosses utilize threaded brass inserts accepting 10-32 screws
Soft Edge Design	Rounded edges, minimal protrusions or exposed pocket areas for assembly of dust and debris
Bonded Window	Precision routed flush bonded Super Abrasion Resistant acrylic material for maximum visibility

HWT Industry Standards

UL/cUL 50	File E64358 Type 1, 3, 3R, 4X, 12
NEMA 250	Type 1, 3, 3R, 4X, 12
CSA Std C22.2	File LR069014 Type 1, 3, 3R, 4X, 12
Temperature Range	(-76°F to +274°F) (-60°C to +134°C)
Temperature Range Window	(-26°F to +170°F) (-32°C to +76°C)
Flammability Rating	UL94-5V
Window Flammability	UL94V-HB
Self Extinguishing	Non-halogenated, non-flame propagating
Chemical Resistance	Full chemical resistance charts listed in appendix

NOTES:

HWT Accessories

Back Panels

Aluminum	BP_AL	pg. 149, 151
Fiberglass	BP_FG	pg. 149, 151
Stainless Steel	BP_SS	pg. 149, 151
Carbon Steel	BP_CS	pg. 149, 151

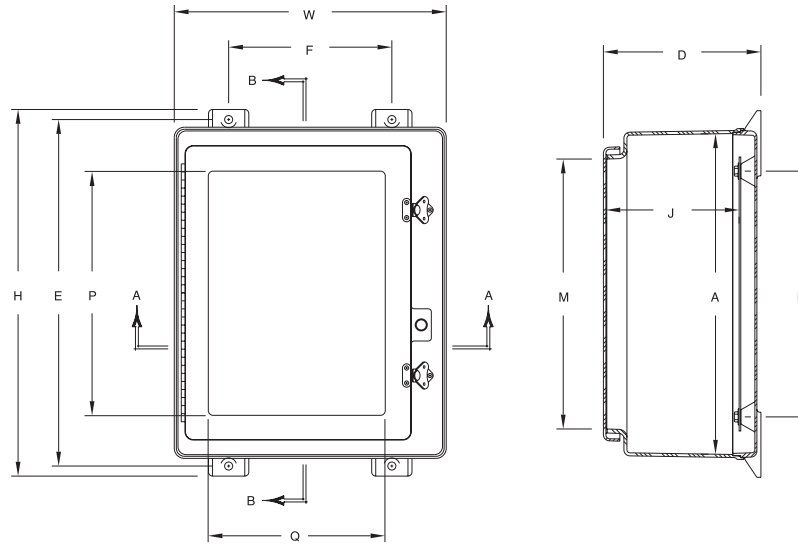
Accessories

Drain & Breather Vents	pg. 144, 146
Hole Plugs	pg. 145
Assorted Hubs and Cord Grips	pg. 145, 148
All Other Accessories	pg. 144 - 159

HWT Modifications

Custom Colors	pg. 12 - 13
Silk Screening	pg. 12 - 13
EMI/RFI Shielding	pg. 12 - 13
Custom Window	pg. 12 - 13
Custom Cutouts/Holes	pg. 12 - 13

Control Enclosures Type 4X - Bonded Window "HWT" Configuration Technical Chart & Drawing



Control Enclosures Type 4X - Bonded Window - "HWT" Dimensions

CATALOG NUMBER	OVERALL H X W X D	INSIDE A X B X C	WINDOW AREA (MAXIMUM) P X Q	MOUNTING E X F	J	K	L	ENCLOSURE OPENING M X N	NO. OF LATCHES	SHIPPING WEIGHT	PANEL NUMBER
NW201610HWT	22.75 x 16.87 x 11.77 (578 x 429 x 299)	19.70 x 16.04 x 11.24 (500 x 407 x 286)	14 x 10 (356 x 254)	21.50 x 10.12 (546 x 257)	10.26 (261)	15.25 (387)	11.25 (286)	16.75 x 12.19 (425 x 310)	2	24 lbs.	BP2016*
NW241210HWT	26.95 x 13.72 x 11.99 (685 x 348 x 304)	24.00 x 12.87 x 11.33 (610 x 327 x 288)	18 x 6 (457 x 152)	25.75 x 6.25 (654 x 159)	10.33 (262)	19.25 (489)	7.25 (184)	21.00 x 8.37 (533 x 213)	2	26 lbs.	BP2412*
NW24208HWT	27.00 x 21.24 x 9.90 (686 x 539 x 252)	24.05 x 20.39 x 9.25 (611 x 518 x 235)	19 x 14 (483 x 356)	25.75 x 14.00 (654 x 356)	8.25 (209)	19.25 (489)	15.25 (387)	21.25 x 16.00 (540 x 406)	4	34 lbs.	BP2420*
NW242410HWT	27.00 x 25.24 x 11.90 (686 x 641 x 302)	24.05 x 24.39 x 11.25 (611 x 619 x 286)	19 x 18 (483 x 457)	25.75 x 17.87 (654 x 454)	10.25 (260)	19.25 (489)	19.25 (489)	21.25 x 20.00 (540 x 508)	4	45 lbs.	BP2424*
NW30208HWT	32.86 x 20.99 x 9.89 (835 x 533 x 251)	29.90 x 20.14 x 9.23 (760 x 511 x 234)	24 x 14 (610 x 356)	31.75 x 14.25 (806 x 362)	8.23 (209)	25.25 (641)	15.25 (387)	27.00 x 16.50 (686 x 419)	5	39 lbs.	BP3020*
NW302410HWT	33.41 x 26.32 x 11.95 (849 x 668 x 304)	30.46 x 25.47 x 11.27 (774 x 647 x 286)	25 x 19 (635 x 483)	32.25 x 18.50 (819 x 470)	10.27 (261)	25.25 (641)	19.25 (489)	27.38 x 21.25 (695 x 540)	5	54 lbs.	BP3024*
NW363012HWT	39.31 x 32.50 x 14.05 (999 x 826 x 357)	36.31 x 31.69 x 13.36 (922 x 805 x 339)	31 x 25 (787 x 635)	38.13 x 23.88 (968 x 606)	12.36 (314)	31.25 (794)	25.25 (641)	33.25 x 27.25 (845 x 692)	5	86 lbs.	BP3630*
NW483612HWT	51.29 x 36.62 x 13.93 (1303 x 930 x 354)	48.33 x 36.22 x 13.25 (1228 x 920 x 336)	43 x 30 (1092 x 762)	50.12 x 28.5 (1273 x 724)	12.25 (311)	21.63 (549)	31.25 (794)	45.25 x 32.00 (1149 x 813)	10	99.8 lbs.	BP4836*

All measures are in inches, items in parentheses are in millimeters

*Panel ordered separately.

N Series