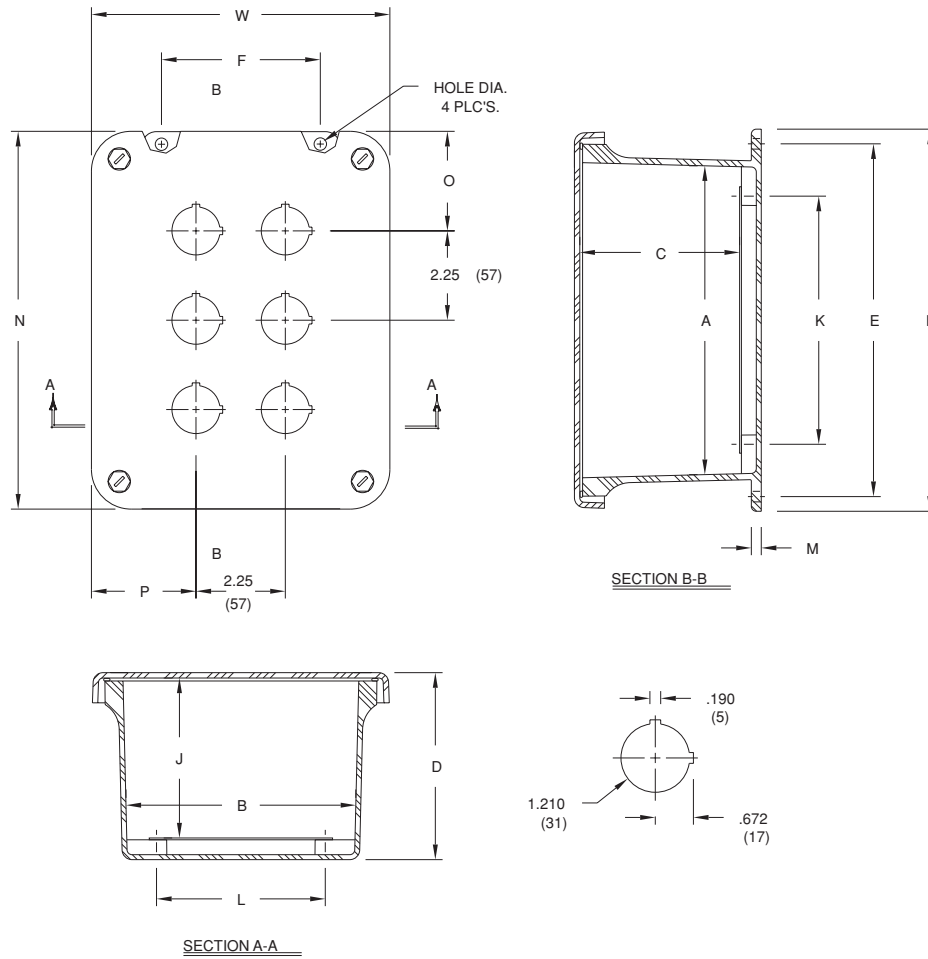


Pushbutton Series "Multi-Hole" Configuration Technical Drawings



Pushbutton Series

Pushbutton Series Enclosures - "Multi-Hole" Configuration Dimensions

CATALOG NUMBER	HOLE CONFIG.	OVERALL H X W X D	INSIDE A X B X C	MOUNTING E X F	J	K	L	M	N	O	P	HOLE DIA.	SHIPPING WT.	PANEL NUMBER
F4PBW	2 x 2	7.50 x 7.50 x 4.75 (191 x 191 x 121)	5.72 x 5.72 x 4.45 (145 x 145 x 113)	6.75 x 4.00 (171 x 101)	4.00 (101)	4.25 (108)	4.25 (108)	0.25 (6)	7.52 (191)	2.64 (67)	2.64 (67)	0.31 (8)	2.7 lbs.	BP66*
F6PBW	3 x 2	9.62 x 7.50 x 4.74 (244 x 191 x 121)	7.73 x 5.74 x 4.45 (196 x 146 x 113)	8.88 x 4.00 (225 x 101)	4.00 (101)	6.25 (159)	4.25 (108)	0.25 (6)	9.5 (242)	2.64 (67)	2.51 (64)	0.31 (8)	3.5 lbs.	BP86*
F9PBW	3 x 3	11.62 x 9.41 x 4.25 (295 x 239 x 108)	9.73 x 7.73 x 3.98 (247 x 196 x 101)	10.75 x 6.00 (273 x 152)	3.50 (89)	8.25 (209)	6.25 (159)	0.25 (6)	11.35 (288)	3.43 (87)	2.45 (62)	0.31 (8)	5.0 lbs.	BP108*

All measures are in inches, items in parentheses are in millimeters.

Note: Shown F6PBW for Reference.

* Panel ordered separately.