

NewSentry® PVC Enclosures

PVC

The NewSentry® Series is a range of corrosion resistant, watertight PVC enclosures featuring ten sizes of simple screw down covers. The enclosures are a perfect complement to fiberglass products when used as junction boxes and small auxiliary enclosures.

Each enclosure is assembled with a PVC gasket that ensures compatibility with the enclosure's substrate and, through cellular resiliency in stretching and compressing, enables longevity in the interaction between cover and gasket spanning a wide potential temperature range.

Mounting feet are integral on smaller sizes and included as add-ons with all larger enclosures. Captive brass cover screws meet threaded brass inserts to secure covers and provide assurance against wear and tear from repeated use.

NewSentry® series enclosures are designed for general electrical and electronic applications and any application that has associated environmental concerns.

NewSentry® Series Attributes

- Memory retaining continuous PVC gasket
- Threaded inserts and captive brass cover screws
- Corrosion resistant PVC material
- Integral mounting feet available on some models
- Available in ten classic sizes

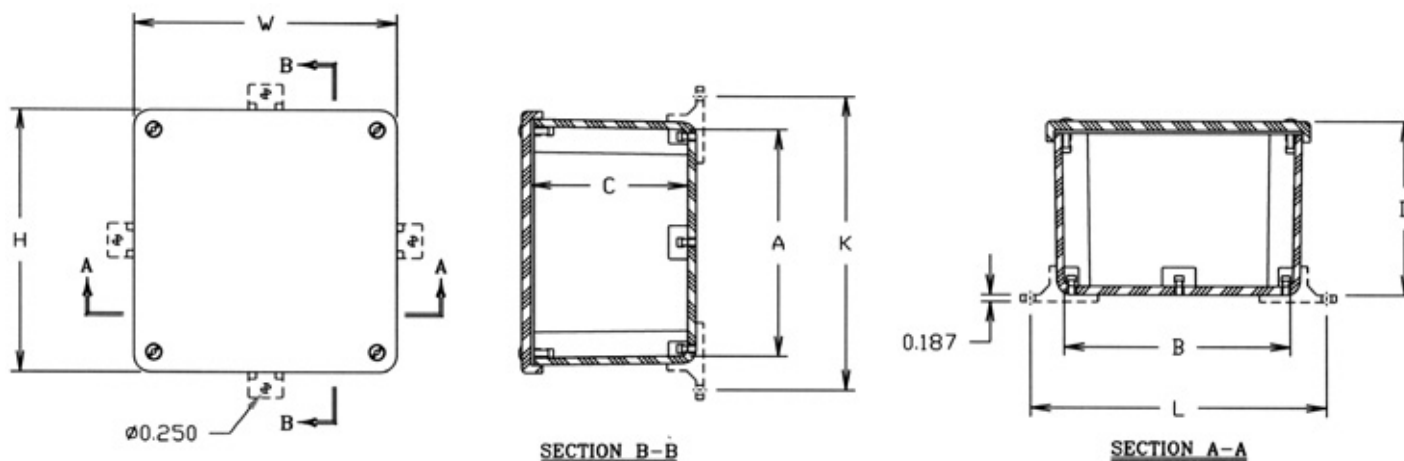
New Sentry® Industry Standards

UL/cUL 514B Fittings,	File E190961
514C Boxes	Type 1, 2, 3, 4, 4X, 12, 13
NEMA 250	Type 1, 2, 3, 4, 4X, 12, 13
CSA Std C22.2 No. 85	File 207025 Type 1, 2, 3, 4, 4X, 12, 13
Temperature Range	(-4°F to +140°F) (-20°C to +60°C)
Flammability Rating	UL94-V0
Self extinguishing	Non-flame propagating
Chemical Resistance	Full chemical resistance charts listed in appendix



New Sentry®
Series

NewSentry® Series Technical Drawings



PVC NewSentry® Series Enclosures

SIZE ID NUMBER	OVERALL H X W X D	INSIDE A X B X C	K	L	F	SHIPPING WEIGHT
J442PVC*	4.03 x 4.03 x 2.42 (102 x 102 x 61)	3.66 x 3.66 x 2.00 (93 x 93 x 51)	4.63 (118)	N/A	8-32	0.60 lbs.
J444PVC	4.04 x 4.04 x 4.50 (103 x 103 x 114)	3.60 x 3.60 x 4.02 (91 x 91 x 102)	5.64 (143)	N/A	8-32	1.11 lbs.
J446PVC	4.02 x 4.02 x 6.58 (102 x 102 x 167)	3.59 x 3.59 x 6.02 (91 x 91 x 153)	5.49 (139)	N/A	8-32	1.40 lbs.
J552PVC*	5.00 x 5.00 x 2.33 (127 x 127 x 59)	4.61 x 4.61 x 1.85 (117 x 117 x 47)	5.66 (144)	N/A	8-32	0.90 lbs.
J664PVC	6.85 x 6.85 x 4.57 (174 x 174 x 116)	5.96 x 5.96 x 4.03 (151 x 151 x 102)	7.94 (202)	7.94 (202)	10.-32	2.12 lbs.
J666PVC	6.85 x 6.85 x 6.58 (174 x 174 x 167)	5.92 x 5.92 x 6.04 (150 x 150 x 153)	7.96 (202)	7.96 (202)	10-32	2.72 lbs.
J884PVC	8.96 x 8.96 x 4.62 (228 x 228 x 117)	8.05 x 8.05 x 4.06 (204 x 204 x 103)	10.49 (266)	10.49 (266)	1/4-20	3.77 lbs.
J887PVC	9.15 x 9.15 x 7.65 (232 x 232 x 195)	8.02 x 8.02 x 7.06 (204 x 204 x 179)	10.49 (266)	10.49 (266)	1/4-20	5.10 lbs.
J12124PVC	12.94 x 12.94 x 4.70 (329 x 329 x 119)	11.92 x 11.92 x 4.00 (303 x 303 x 102)	14.46 (367)	14.46 (367)	1/4-20	8.50 lbs.
J12126PVC	12.94 x 12.94 x 6.64 (329 x 329 x 169)	11.91 x 11.91 x 6.00 (303 x 303 x 152)	14.46 (367)	14.46 (367)	1/4-20	9.25 lbs.

All measures are in inches, items in parentheses are in millimeters.

- F = Threaded brass insert size.
- * Denotes molded in mounting feet.