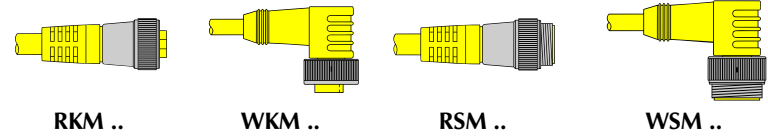




## minifast® Heavy Duty Cordsets, PVC

- High Grade Oil & UV Resistant PVC
- Standard Color Code
- 16 AWG
- Available in 2 - 6 Conductor



### 2-pin, 600 V, 9.0 A

Application	Cable Specs	Pinout	Female		Male	
			Straight	Right Angle	Straight	Right Angle
Heavy duty for 2-wire applications UL Recognized CSA Certified	2/16 AWG Yellow PVC 105°C 10.4 mm OD	1. Wh 2. Bk	RKM 26-*M	WKM 26-*M	RSM 26-*M	WSM 26-*M

### 3-pin, 600 V, 9.0 A

Application	Cable Specs	Pinout	Female		Male	
			Straight	Right Angle	Straight	Right Angle
Heavy duty for 2-wire AC w/Ground or 3-wire applications UL Recognized CSA Certified	3/16 AWG Yellow PVC 105°C 10.4 mm OD	1. Gn 2. Bk 3. Wh	RKM 36-*M	WKM 36-*M	RSM 36-*M	WSM 36-*M

### 4-pin, 600 V, 9.0 A

Application	Cable Specs	Pinout	Female		Male	
			Straight	Right Angle	Straight	Right Angle
Heavy duty for 4-wire applications UL Recognized CSA Certified	4/16 AWG Yellow PVC 105°C 11.0 mm OD	1. Bk 2. Wh 3. Rd 4. Gn	RKM 46-*M	WKM 46-*M	RSM 46-*M	WSM 46-*M

### 5-pin, 600 V, 9.0 A

Application	Cable Specs	Pinout	Female		Male	
			Straight	Right Angle	Straight	Right Angle
Heavy duty for 5-wire applications UL Recognized CSA Certified	5/16 AWG Yellow PVC 105°C 13.2 mm OD	1. Wh 2. Rd 3. Gn 4. Og 5. Bk	RKM 56-*M	WKM 56-*M	RSM 56-*M	WSM 56-*M

### 6-pin, 600 V, 9.0 A

Application	Cable Specs	Pinout	Female		Male	
			Straight	Right Angle	Straight	Right Angle
Heavy duty for 6-wire applications	6/16 AWG Yellow PVC 105°C 13.2 mm OD	1. Wh 2. Rd 3. Gn 4. Og 5. Bk 6. Bu	RKM 66-*M	WKM 66-*M	RSM 66-*M	WSM 66-*M

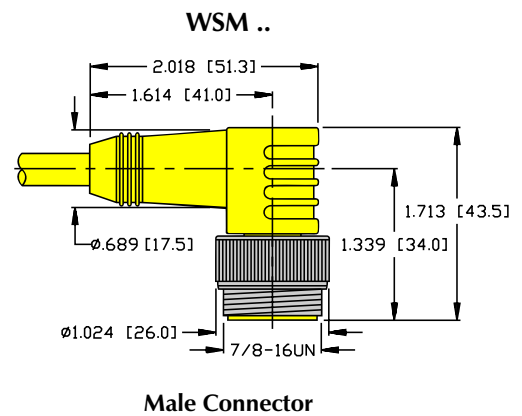
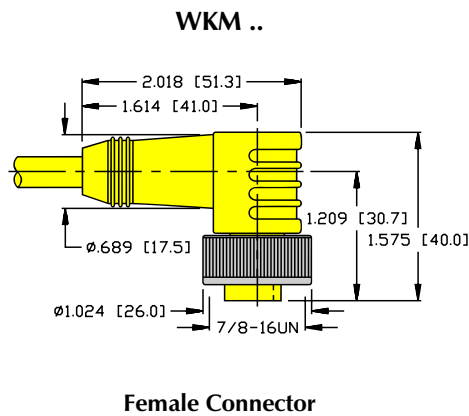
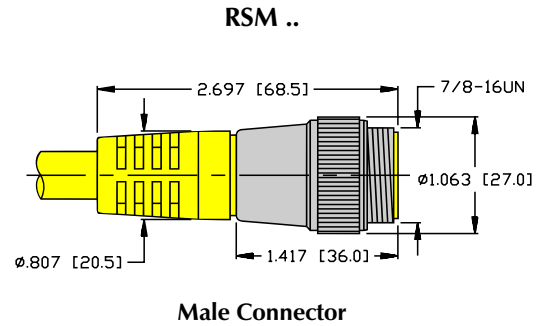
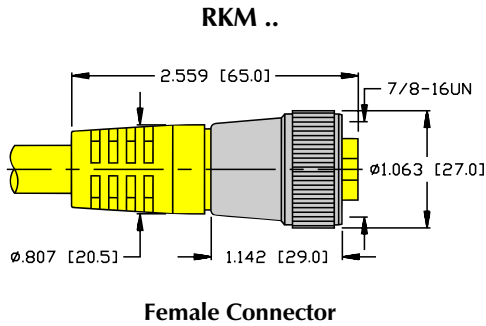
\* = Length in meters

## Specifications

<b>Connector:</b>	Oil resistant polyurethane body material, PUR contact carrier.
<b>Contacts:</b>	Gold plated brass.
<b>Coupling Nuts:</b>	Nickel plated brass. (see options below)**
<b>Cable:</b>	See table.
<b>Protection:</b>	NEMA 1, 3,4, 6P and IEC IP67.
<b>Cable Length:</b>	Standard cable lengths are nominal 2, 4 and 6 meters. Other lengths available by request - consult factory.

**\*\* Options:** To specify nylon coupling nut, omit the "M" from the part number.  
 For example: WKM .. to WK .. (right angle female) or RSM .. to RS .. (straight male).  
 To specify stainless steel coupling nut, change the "M" to a "V" in the part number.  
 For example: RKM .. to RKV .. (straight female) or WSM .. to WSV .. (right angle male).

## Dimensions



## Pinouts

Female					Male				
<b>2-pin</b>	<b>3-pin</b>	<b>4-pin</b>	<b>5-pin</b>	<b>6-pin</b>	<b>2-pin</b>	<b>3-pin</b>	<b>4-pin</b>	<b>5-pin</b>	<b>6-pin</b>