

# Junction Box Connectivity Products

## Multibox® Minifast® Junction Boxes, 4-pin

- 4, 6 and 8 Ports
- Integral Home Run Cable
- Simplifies Wiring Installations



### 4-Port, 250 VAC/300 VDC

Application	Specifications	Pinout				Part Number
4-port J-box, 4-pin connectors, Integral cable	4 A/port, 9 A total PVC cable, black, 6x18 AWG, foil shield and 20 AWG drain	<u>Function</u>	<u>Color</u>	<u>Function</u>	<u>Color</u>	4 RKF 40-*M
		Common +V	WH	J2 Load	OG	
		Ground -V	GN	J3 Load	BK	
		J1 Load	RD	J4 Load	BU	

### 6-Port, 250 VAC/300 VDC

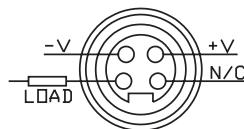
Application	Specifications	Pinout				Part Number
6-port J-box, 4-pin connectors, Integral cable	4 A/port, 9 A total PVC cable, black, 8x18 AWG, foil shield and 20 AWG drain	<u>Function</u>	<u>Color</u>	<u>Function</u>	<u>Color</u>	6 RKF 40-*M
		Common +V	WH	J3 Load	BK	
		Ground -V	GN	J4 Load	BU	
		J1 Load	RD	J5 Load	YE	
		J2 Load	OG	J6 Load	BN	

### 8-Port, 250 VAC/300 VDC

Application	Specifications	Pinout				Part Number
8-port J-box, 4-pin connectors, Integral cable	4 A/port, 9 A total PVC cable, black, 10x18 AWG, foil shield and 20 AWG drain	<u>Function</u>	<u>Color</u>	<u>Function</u>	<u>Color</u>	8 RKF 40-*M
		Common +V	WH	J4 Load	BU	
		Ground -V	GN	J5 Load	GY	
		J1 Load	RD	J6 Load	YE	
		J2 Load	VT	J7 Load	OG	
		J3 Load	BK	J8 Load	BN	

We reserve the right to make technical alterations without prior notice.

### Functional Wiring Diagrams



Power (pin 1 and pin 3) are wired parallel internally.  
Load (pin 4) is individual output. Pin 2 is not used.

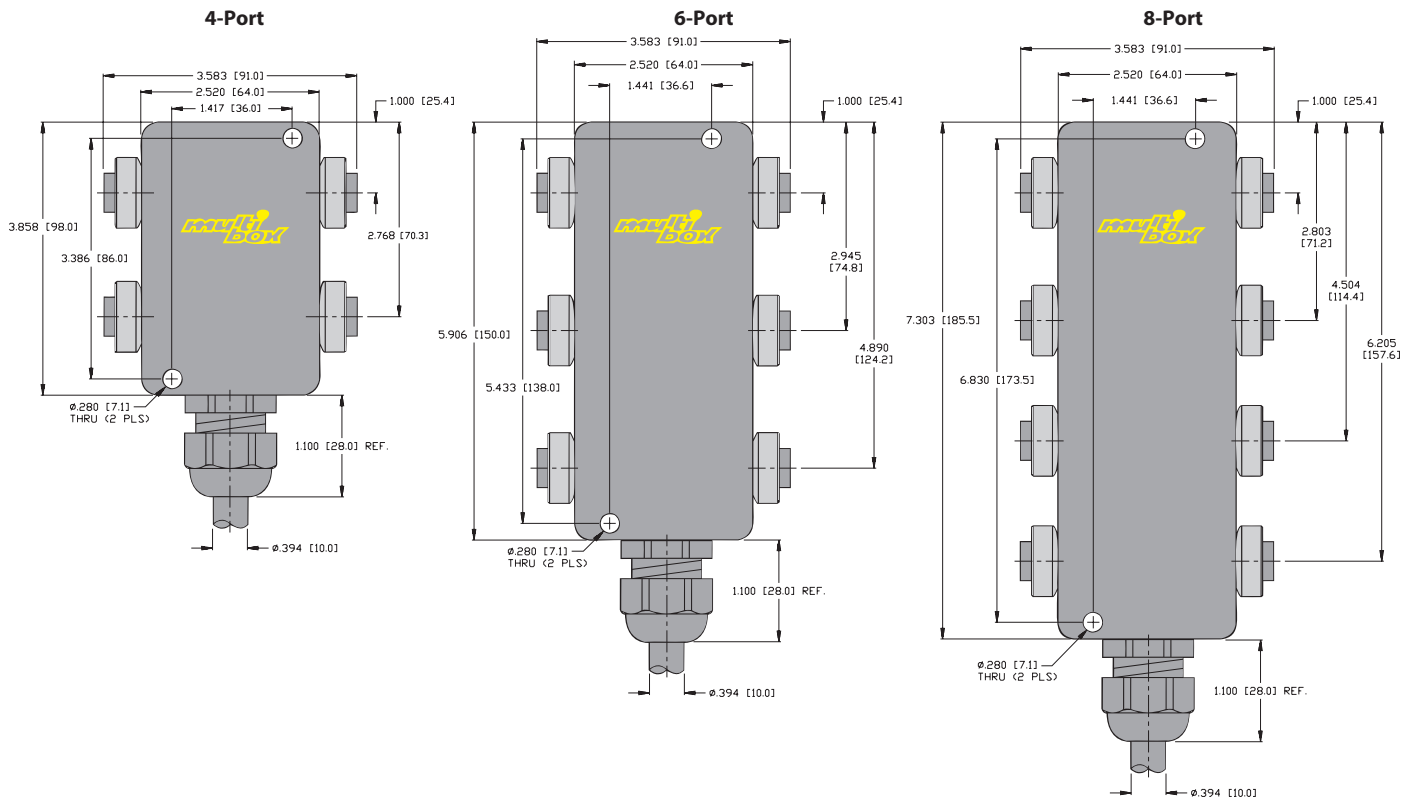
## Multibox® Minifast® Junction Boxes, 4-pin

### Specifications

<b>Housing:</b>	Die cast aluminum alloy	<b>Temperature:</b>	-30 °C to +80 °C (-22 °F to +176 °F)
<b>Connectors:</b>	Nickel plated brass, oil resistant TPU contact carrier	<b>Protection Class:</b>	IEC IP67
<b>Contacts:</b>	Gold plated brass	<b>Cable Length:</b>	Standard cable length is 6 meters. Other lengths available by request - consult factory
<b>Cable:</b>	See table for specifications		

### Dimensions

We reserve the right to make technical alterations without prior notice.

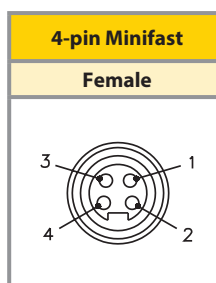


multibox®, minifast®

#### Notes

Clearance holes for 1/4-20 screws (2 places).  
All housings are 34 mm in height.

#### Pinout



# Junction Box Connectivity Products

## Multibox® Minifast® Junction Boxes, 4-pin

- 4, 6 and 8 Ports
- Quick Disconnect Minifast Connector
- Simplifies Wiring Installations



### 4-Port, 250 VAC / 300 VDC

Application	Specifications	Pinout				Part Number
4-port J-box 4-pin connectors, Minifast connector	4 A/port 8 A total 6-pin Minifast connector 6 conductors. Mates with RKM 66-*M	<u>Function</u> Common +V Ground -V J1 Load	<u>Pin/Color</u> 1 / WH 3 / GN 2 / RD	<u>Function</u> J2 Load J3 Load J4 Load	<u>Pin/Color</u> 4 / OG 5 / BK 6 / BU	4 RKF 40-RSF6B6

### 6-Port, 250 VAC / 300 VDC

Application	Specifications	Pinout				Part Number
6-port J-box 4-pin connectors, Minifast connector	4 A/port 8 A total 8-pin Minifast connector 8 conductors. Mates with RKM 86-*M	<u>Function</u> Common +V Ground -V J1 Load J2 Load	<u>Pin/Color</u> 5 / WH 7 / GN 6 / RD 1 / OG	<u>Function</u> J3 Load J4 Load J5 Load J6 Load	<u>Pin/Color</u> 4 / BK 2 / BU 3 / WH / BK 8 / RD / BK	6 RKF 40-RSF80

### 8-Port, 250 VAC / 300 VDC

Application	Specifications	Pinout				Part Number
8-port J-box 4-pin connectors, Minifast connector	4 A/port 7 A total 10-pin Minifast connector 10 conductors. Mates with RKM 106-*M	<u>Function</u> Common +V Ground -V J1 Load J2 Load J3 Load	<u>Pin/Color</u> 10 / WH 8 / GN 7 / RD 1 / OG 9 / BK	<u>Function</u> J4 Load (L2) J5 Load (L2) J6 Load (L2) J7 Load (L2) J8 Load (L2)	<u>Pin/Color</u> 2 / BU 3 / WH / BK 4 / RD / BK 5 / GN / BK 6 / OG / BK	8 RKF 40-RSF100

We reserve the right to make technical alterations without prior notice.

## Functional Wiring Diagrams

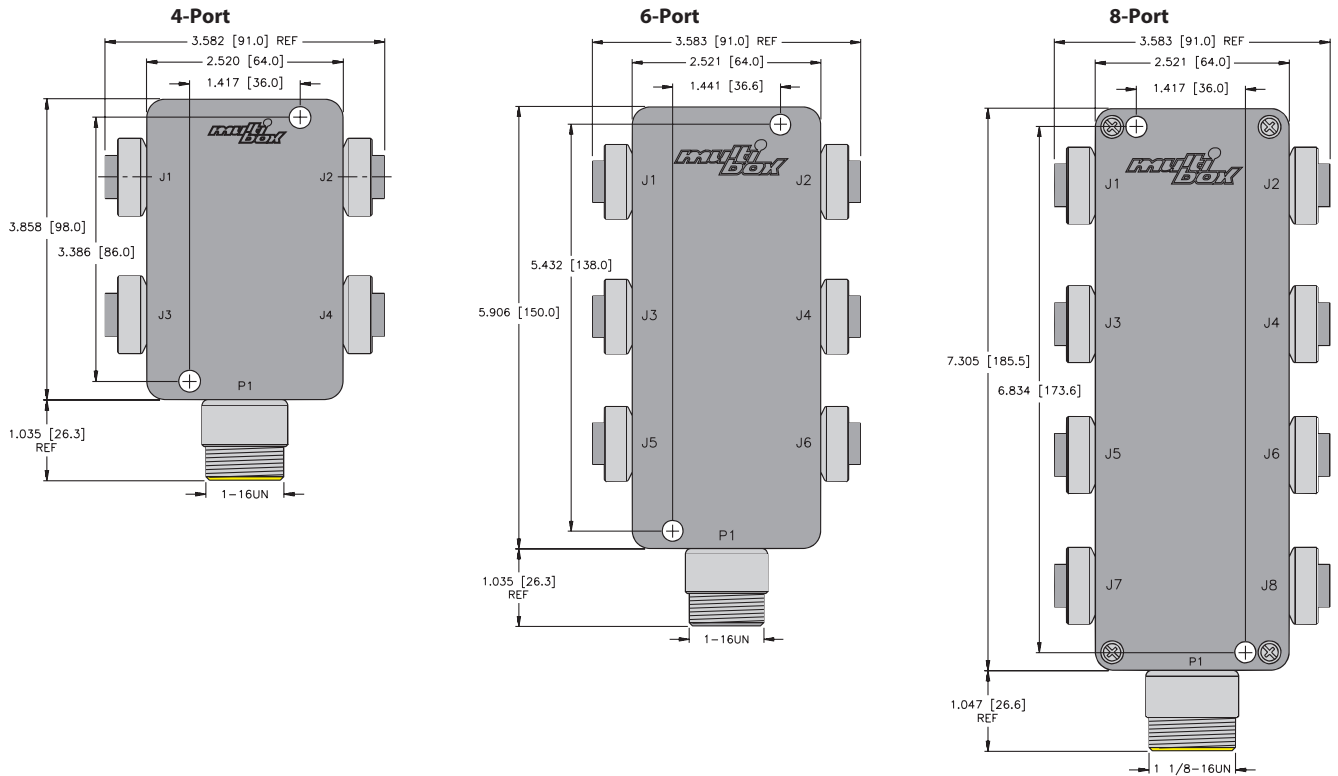


Power (pin 1 and pin 3) are wired parallel internally.  
Load (pin 4) is individual output. Pin 2 is not used.

### Specifications

<b>Housing:</b>	Die cast aluminum alloy	<b>Temperature:</b>	-30 °C to +80 °C (-22 °F to +176 °F)
<b>Connectors:</b>	Nickel plated brass, oil resistant TPU contact carrier	<b>Protection:</b>	IEC IP67
<b>Contacts:</b>	Gold plated brass		

### Dimensions



We reserve the right to make technical alterations without prior notice.

multibox®, minifast®

#### Notes

Clearance holes for 1/4-20 screws (2 places).  
All housings are 34 mm in height.

#### Pinout

4-pin Minifast	6-pin Minifast	8-pin Minifast	10-pin Minifast
Female	Male	Male	Male