

Relay compatible with sockets:

S3-B, S3-S, S3-MP, S3-MS, S3-L, S3-PO

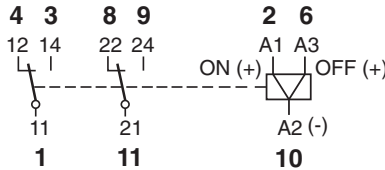


Table 1 Electrical Life, ops. x 10⁶

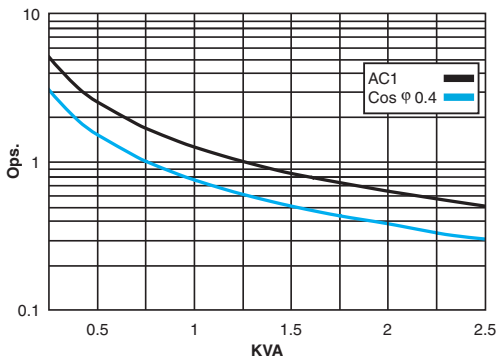
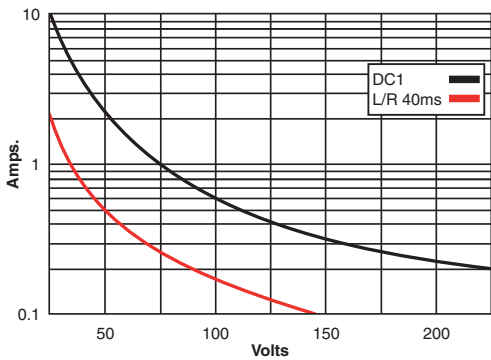
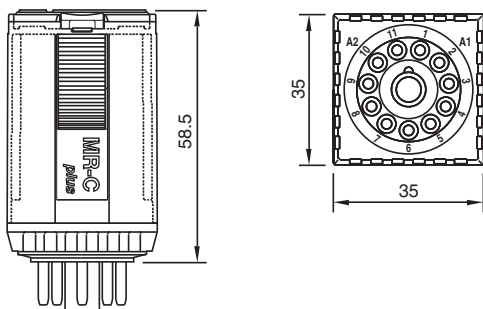


Table 2 Max. DC Load



Dimensions - mm



C3-R20



Magnetic latching
Two change-over contacts

10 A 250 V AC1 0.5 A 110 V DC1
10 A 30 V DC1 0.2 A 220 V DC1

Contacts

Materials: Standard, code 0 AgNi
Optional, code 8 AgNi + 10μ Au
Optional, code 9 AgNi + 0.2μ Au
Max. switching current 10 A
Max. peak inrush current (20 ms) 30 A
Max. switching voltage 250 V
Max. AC load (Table 1) 2.5 KVA
Max. DC load (Table 2)

Coils

ON pulse power 1.5 VA / W
OFF pulse power 0.5 VA / W
One winding for AC. Two winding for DC

VAC	ON mA	OFF mA	VDC	ON mA	OFF mA
24	75	12	12	125	41
48	38	6	24	63	21
115	16	2.5	48	31	10
230	8	1.3	110	14	4.5

Insulation

Dielectric strength (1 minute): Open contacts 1,000 V
Between adjacent poles 2.5 KV
Between contacts and coil 2.5 KV
Isolation resistance at 500 V ≥1 GΩ
Isolation, IEC 61810-5: 2.5 KV / 3

Specifications

Minimum pulse length for ON / OFF 50 ms
Ambient temperature -40°C (no ice) to +70°C
Mechanical life ops. 10 Mill. AC, 20 Mill. DC relays
Electrical life at nominal load ≥100,000 ops.
Operating frequency at nominal load 1,200/hour
Protection degree IP 40/RT1
Weight avg. 95 g

Standard Types

AC 50 Hz, (60 Hz): 24, 48, 115, (120), 230, (240)
C3-R20 VAC

DC 12, 24, 48, 110
C3-R20 VDC