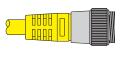

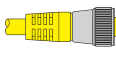
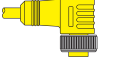
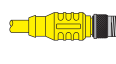
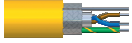
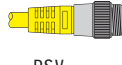

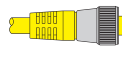
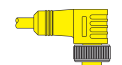

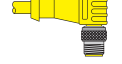

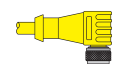


# TURCK FOUNDATION™ fieldbus Physical Media Connectivity

## Cable and Cordset Selection Matrix

		<i>minifast</i> <sup>®</sup>				<i>eurofast</i> <sup>®</sup>	
		Pin (Male)		Socket (Female)		Pin (Male)	
		 1 RSV	 2 WSV	 3 RKV	 4 WKV	 7 RSCV	
 Bare		RSV 49x-*M	WSV 49x-*M	RKV 49x-*M	WKV 49x-*M	RSCV 49x-*M	
<i>minifast</i>	Pin (Male)	 1 RSV	RSV RSV 49x-*M	RSV WSV 49x-*M	RSV RKV 49x-*M	RSV WKV 49x-*M	RSV RSCV 49x-*M
	Pin (Male)	 2 WSV		WSV WSV 49x-*M	WSV RKV 49x-*M	WSV WKV 49x-*M	WSV RSCV 49x-*M
	Socket (Female)	 3 RKV			RKV RKV 49x-*M	RKV WKV 49x-*M	RKV RSCV 49x-*M
	Socket (Female)	 4 WKV				WKV WKV 49x-*M	WKV RSCV 49x-*M
<i>eurofast</i>	Pin (Male)	 7 RSCV					RSCV RSCV 49x-*M
	Pin (Male)	 8 WSCV					
	Socket (Female)	 9 RSCV					
	Socket (Female)	 10 WSCV					

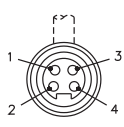
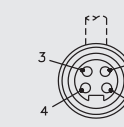
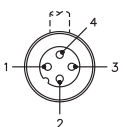
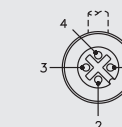
See pages N10 - N11 for dimensional drawings.

\* Indicates length in meters.



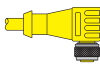
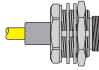
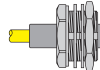
x Indicates cable type.

Standard cable lengths are 1, 2, 4, 6, 8, 10, 15...50 Meters. Consult factory for other lengths.

For stainless steel coupling nuts change part number RSM ... to RSV, WSM ... to WSV. For *eurofast armorfast*<sup>®</sup> cable RSC ... to RSA.

<i>minifast</i>		Pinouts	<i>eurofast</i>	
<b>Male</b>	<b>Female</b>	1. Blue (- Voltage) 2. Brown (+ Voltage) 3. Bare (Shield Drain Wire) 4. Green/Yellow (Ground)	<b>Male</b>	<b>Female</b>
				

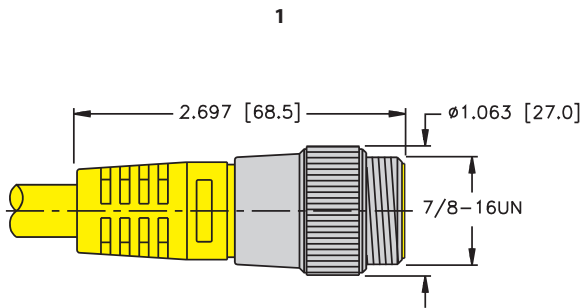
**Cable and Cordset Selection Matrix**

<i>euofast</i> ®			<i>minifast</i> ® Bulkhead		<i>euofast</i> Bulkhead	
Pin (Male)	Socket (Female)		Pin (Male)	Socket (Female)	Pin (Male)	Socket (Female)
 8 WSCV	 9 RKCV	 10 WKCV	 5 RSFPV	 6 RKFPV	11 FSFDV	12 FKFDV
WSCV 49x-*M	RKCV 49x-*M	WKCV 49x-*M	RSFPV 49x-*M	RKFPV 49x-*M	FSFDV 49x-*M	FKFDV 49x-*M
RSV WSCV 49x-*M	RSV RKCV 49x-*M	RSV WKCV 49x-*M	RSV RSFPV 49x-*M	RSV RKFPV 49x-*M	RSV FSFDV 49x-*M	RSV FKFDV 49x-*M
WSV WSCV 49x-*M	WSV RKCV 49x-*M	WSV WKCV 49x-*M	WSV RSFPV 49x-*M	WSV RKFPV 49x-*M	WSV FSFDV 49x-*M	WSV FKFDV 49x-*M
RKV WSCV 49x-*M	RKV RKCV 49x-*M	RKV WKCV 49x-*M	RKV RSFPV 49x-*M	RKV RKFPV 49x-*M	RKV FSFDV 49x-*M	RKV FKFDV 49x-*M
WKV WSCV 49x-*M	WKV RKCV 49x-*M	WKV WKCV 49x-*M	WKV RSFPV 49x-*M	WKV RKFPV 49x-*M	WKV FSFDV 49x-*M	WKV FKFDV 49x-*M
RSCV WSCV 49x-*M	RSCV RKCV 49x-*M	RSCV WKCV 49x-*M	RSCV RSFPV 49x-*M	RSCV RKFPV 49x-*M	RSCV FSFDV 49x-*M	RSCV FKFDV 49x-*M
WSCV WSCV 49x-*M	WSCV RKCV 49x-*M	WSCV WKCV 49x-*M	WSCV RSFPV 49x-*M	WSCV RKFPV 49x-*M	WSCV FSFDV 49x-*M	WSCV FKFDV 49x-*M
	RKCV RKCV 49x-*M	RKCV WKCV 49x-*M	RKCV RSFPV 49x-*M	RKCV RKFPV 49x-*M	RKCV FSFDV 49x-*M	RKCV FKFDV 49x-*M
		WKCV WKCV 49x-*M	WKCV RSFPV 49x-*M	WKCV RKFPV 49x-*M	WKCV FSFDV 49x-*M	WKCV FKFDV 49x-*M

FOUNDATION™ fieldbus

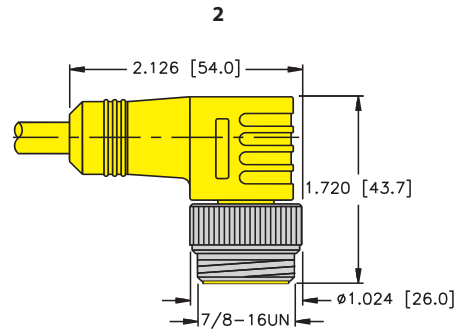
### Specifications

<b>Overmold:</b>	TPU
<b>Coupling Nut:</b>	Nickel Plated CuZn or Stainless Steel
<b>Contact Carrier:</b>	TPU
<b>Contacts:</b>	Gold Plated CuZn
<b>Protection:</b>	NEMA 1, 3, 4, 6P and IEC IP 68
<b>Rated Voltage:</b>	300 V
<b>Rated Current:</b>	9 A
<b>Ambient Temperature:</b>	-40° to +105°C (-40° to +221°F)



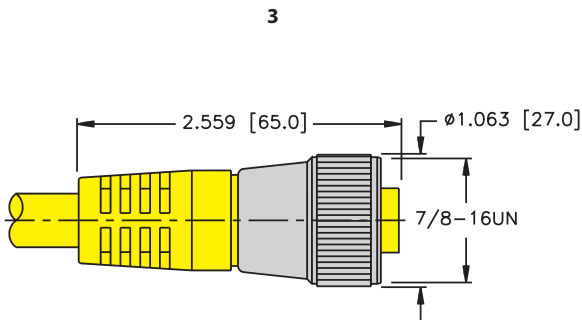
RSV ..

Page N8



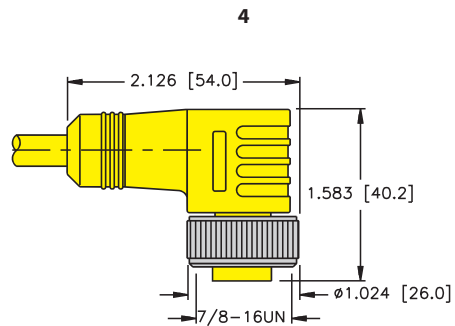
WSV ..

Page N8



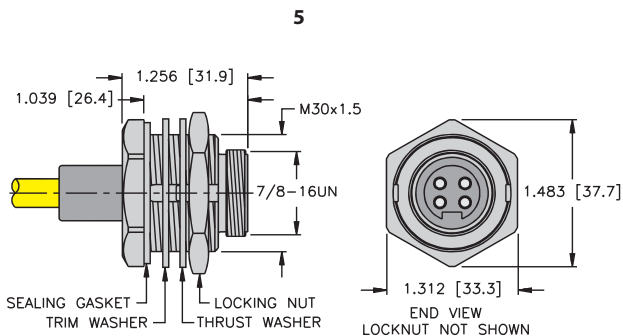
RKV ..

Page N8



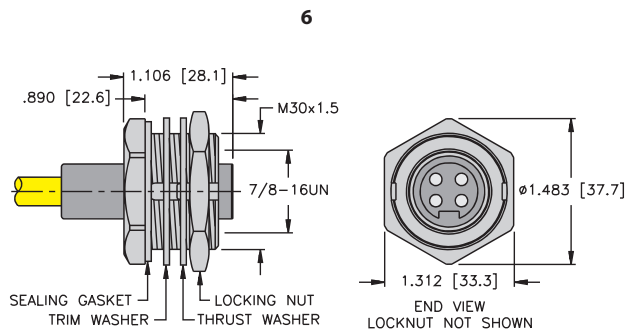
WKV ..

Page N8



RSFPV ..

Page N9



RKFPV ..

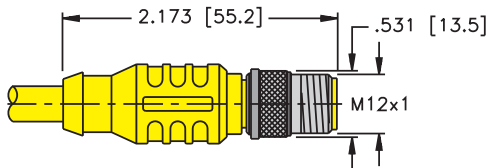
Page N9

**Cordset and Receptacle Connector Dimensions**

**Specifications**

<b>Overmold:</b>	TPU
<b>Coupling Nut:</b>	Nickel Plated CuZn or Stainless Steel
<b>Contact Carrier:</b>	TPU or POM (Nylon)
<b>Contacts:</b>	Gold Plated CuZn
<b>Protection:</b>	NEMA 1, 3, 4, 6P and IEC IP 68
<b>Rated Voltage:</b>	250 V
<b>Rated Current:</b>	4 A
<b>Ambient Temperature:</b>	-40° to +105°C (-40° to +221°F)

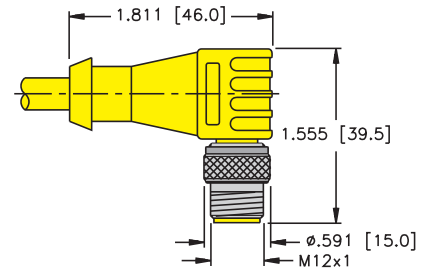
7



RSCV ..

Page N8

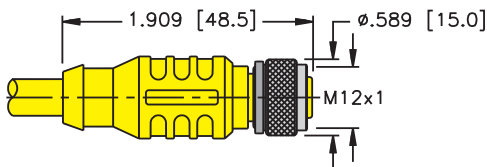
8



WSCV ..

Page N8

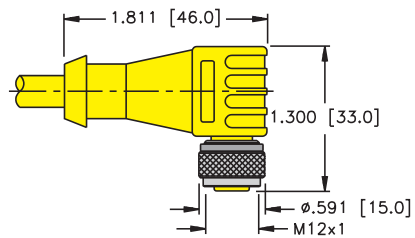
9



RKCV ..

Page N8

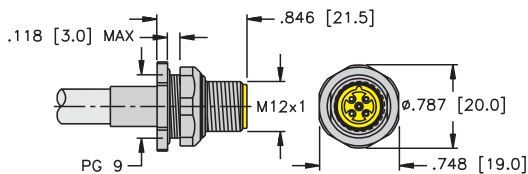
10



WKCV ..

Page N8

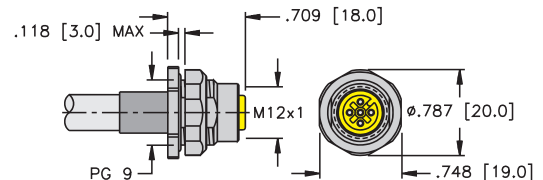
11



FSFDV ..

Page N9

12



FKFDV ..

Page N9