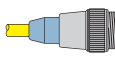
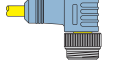

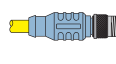

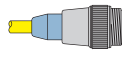
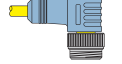
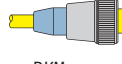
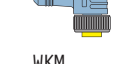


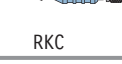



# TURCK AS-interface® Physical Media Connectivity

## AS-interface®, Cable and Cordset Selection Matrix

		minifast®				eurofast®	
		Pin (Male)		Socket (Female)		Pin (Male)	
		1  RSM	2  WSM	3  RKM	4  WKM	7  RSC	
 Bare		RSM 25x-*M	WSM 25x-*M	RKM 25x-*M	WKM 25x-*M	RSC 25x-*M	
minifast	Pin (Male)	1  RSM	RSM RSM 25x-*M	RSM WSM 25x-*M	RSM RKM 25x-*M	RSM WKM 25x-*M	RSM RSC 25x-*M
	Pin (Male)	2  WSM		WSM WSM 25x-*M	WSM RKM 25x-*M	WSM WKM 25x-*M	WSM RSC 25x-*M
	Socket (Female)	3  RKM			RKM RKM 25x-*M	RKM WKM 25x-*M	RKM RSC 25x-*M
	Socket (Female)	4  WKM				WKM WKM 25x-*M	WKM RSC 25x-*M
eurofast	Pin (Male)	7  RSC					RSC RSC 25x-*M
	Pin (Male)	8  WSC					
	Socket (Female)	9  RKC					
	Socket (Female)	10  WKC					

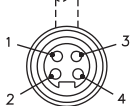
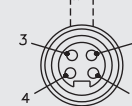
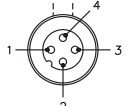
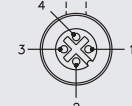
See pages R10 - R11 for dimensional drawings.

\* Indicates length in meters.

x Indicates cable type.

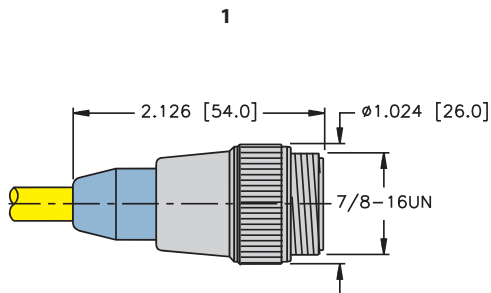
Standard cable lengths are 1, 2, 4, 6, 8, 10, 15, and in +5 meter increments from there. Consult factory for other lengths.

For stainless steel coupling nuts change part number RSM... to RSV, WSM... to WSV. For **eurofast armorfast®** change part number RSC... to RSA.

minifast		Pinouts	eurofast	
Male 	Female 	1. Brown (+ Voltage) 2. N/C 3. Blue (- Voltage) 4. N/C	Male 	Female 

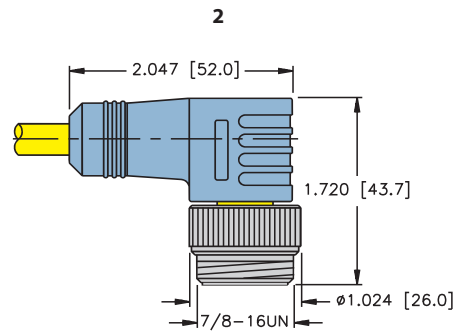
### Specifications

<b>Overmold:</b>	TPU
<b>Coupling Nut:</b>	Nickel Plated CuZn or Stainless Steel
<b>Contact Carrier:</b>	TPU (Polyurethane)
<b>Contacts:</b>	Gold Plated CuZn
<b>Protection:</b>	NEMA 1, 3, 4, 6P and IEC IP 67
<b>Rated Voltage:</b>	300 V
<b>Rated Current:</b>	9 A
<b>Ambient Temperature:</b>	-40° to +105°C (-40° to +221°F)



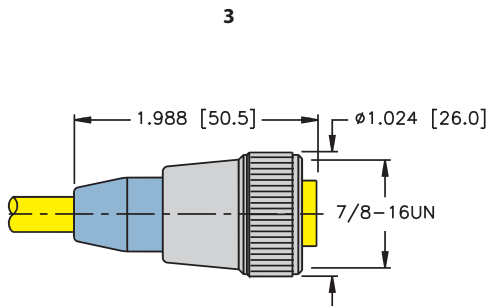
RSM ..

Pages R8



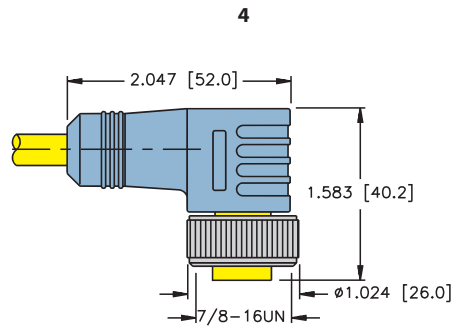
WSM ..

Pages R8



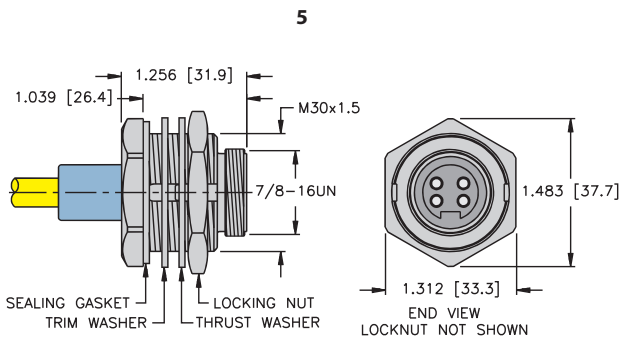
RKM ..

Pages R8



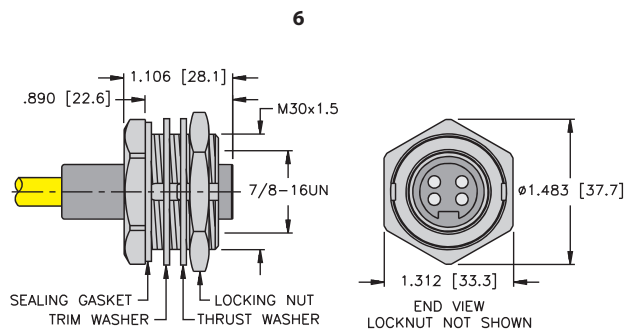
WKM ..

Pages R8



RSFP ..

Pages R9



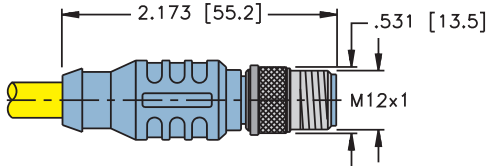
RKFP ..

Pages R9

**Specifications**

<b>Overmold:</b>	TPU
<b>Coupling Nut:</b>	Nickel Plated CuZn or Stainless Steel
<b>Contact Carrier:</b>	TPU or POM (Nylon)
<b>Contacts:</b>	Gold Plated CuZn
<b>Protection:</b>	NEMA 1, 3, 4, 6P and IEC IP 68
<b>Rated Voltage:</b>	250 V
<b>Rated Current:</b>	4 A
<b>Ambient Temperature:</b>	-40°C to +105°C (-40° to +221°F)

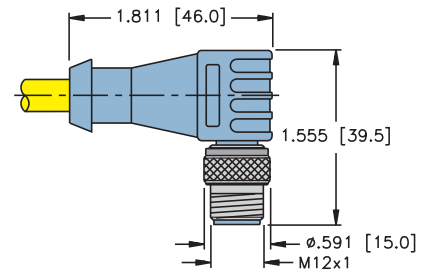
7



RSC ..

Pages R8 - R9

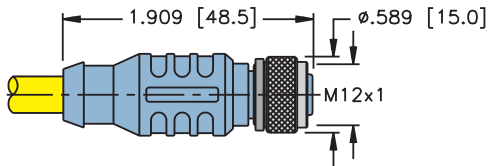
8



WSC ..

Pages R8 - R9

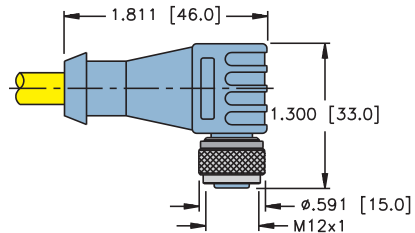
9



RKC ..

Pages R8 - R9

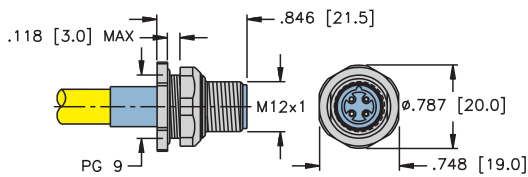
10



WKC ..

Pages R8 - R9

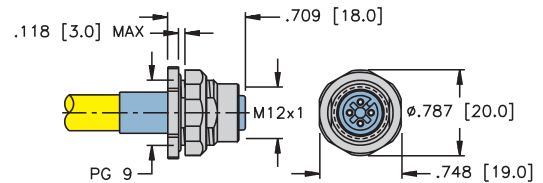
11



FSFD ..

Pages R9

12



FKFD ..

Pages R9