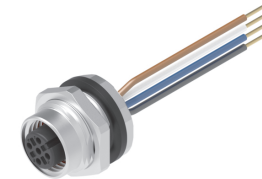
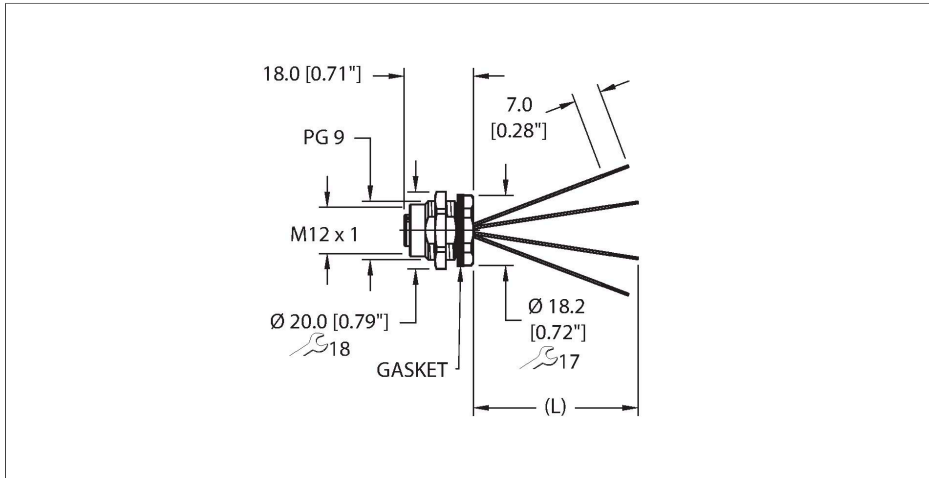


ERKVG-A4.400.2-0.5

Actuator and Sensor Receptacle – Rear Mount



Technical data

| | |
|---------------------------------|---|
| Type | ERKVG-A4.400.2-0.5 |
| ID | 100007265 |
| Replaces | FKFDV 4.4-x |
| Connector A | Female, M12 × 1, A-code |
| Design specification | Acc. to IEC 61076-2-101 |
| Number of contacts | 4 |
| Contacts | Bronze, CuSn, Gold-plated |
| Contact carriers | Plastic, TPU, Black |
| Connector seal | O-ring, FKM/FPM |
| Housing material/finish | Brass, CuZn, Nickel-plated |
| Tightening torque (range) | 0.4 ... 1.8 Nm (note max. torque of mating connector!) |
| Mounting orientation | Rear mount |
| Panel seal | Gasket, NBR |
| Mounting thread | PG9 |
| Locknut | Brass, CuZn, Nickel-plated |
| Receptacle mounting torque | 2.5...6.8 Nm |
| Mechanical life | > 100 Mating cycles |
| Pollution degree | 3 |
| Protection class (When coupled) | IP67, IP68, IP69, IP69K NEMA: 1, 3, 4, 4X, 6P, 12 |
| Conductor data | |
| Total number of conductors | 4 |

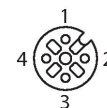
Features



- M12, Female, Receptacle, Rear mount, 4-pin
- Mounting thread: PG9

Contact assignment

Connector A



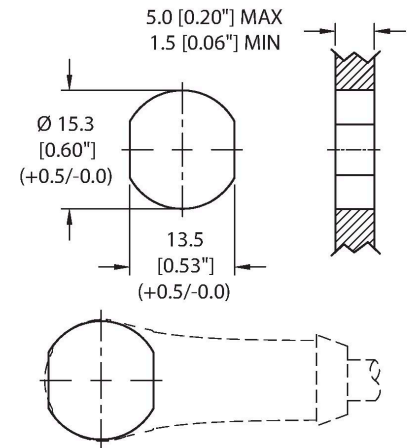
Circuit Diagram



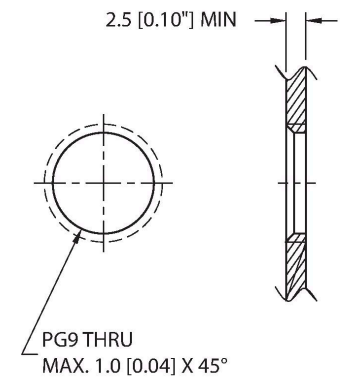
Technical data

| | |
|--|--|
| Length (L) | 0.5 m, 0.5 m, (+50mm or 4% of length/-0.0, Whichever is greater) |
| Conductor material | TC (tinned copper) |
| Conductor insulation material | PVC |
| Conductor size | 22 AWG [Similar to 0.34 mm ²] |
| Conductor colors | BN, WH, BU, BK |
| Electrical properties at +20 °C | |
| Rated voltage | 250 V _{AC} /300 V _{DC} |
| Current | 4 A |
| Mechanical and chemical properties | |
| Ambient temperature range (static) | -40 °C...+105 °C |
| Approvals | UL 2238 CSA C22.2 No. 182.3 CE UKCA RoHS |
| Note | |
| - We reserve the right to make technical alterations without prior notice. | |

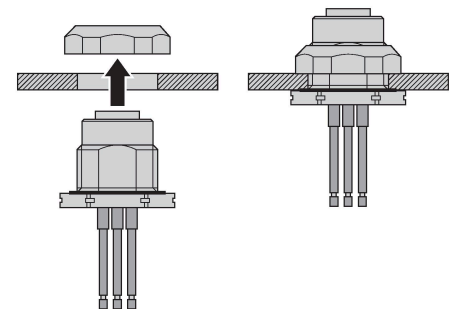
Mounting hole - Through



Mounting hole - Threaded



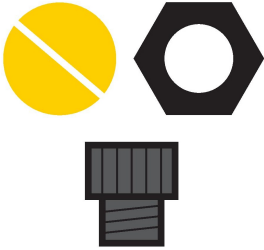
Rear-mounted



Accessories

LOCKNUT-PG9-316SS-(10/BAG)

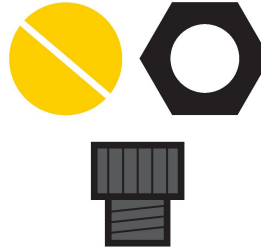
A9583



Locknut, PG9, 316 Stainless Steel, 10 per bag

FK(S)FD-TOOL

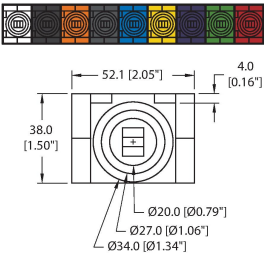
A2550



Tool, knockout hole punch, receptacle-mounting hole. Accommodates PG9 threads.

DECAL,9-CLRS,RECEPT+BOXES,EURO(QTY1)

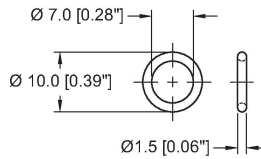
100008955



1 decal sticker containing 9 different color sets of 11 decals to color code a sensor, junction block port, cable end, or receptacle. 5ct 4x9mm rectangles, 4ct 8x19mm rectangles, 1ct 27mm ID ring, 1ct 20mm ID ring.

ORING-Ø7x1.5-M12-(10/BAG)

100024937

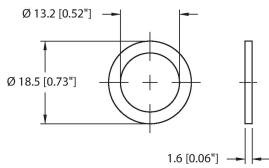


10 pack of Ø7x1.5 FKM O-rings for female M12 connectors

Accessories

M12-GASKET-PG9,M16,1/4NPT-(10/BAG)

100015009



Gasket, Black NBR, Fits PG9, M16 and 1/4NPT mounting threads, 10 per bag