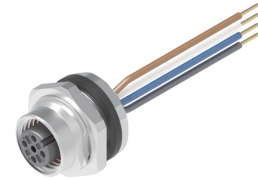
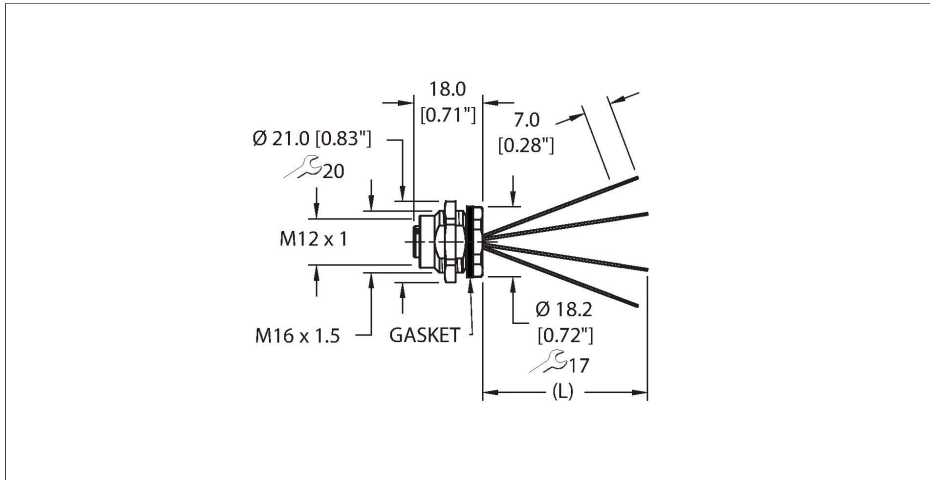


ERKBM-A4.400.2-1

Actuator and Sensor Receptacle – Rear Mount



Technical data

Type	ERKBM-A4.400.2-1
ID	100009894
Replaces	FKFD 4.4-x/M16
Connector A	Female, M12 × 1, A-code
Design specification	Acc. to IEC 61076-2-101
Number of contacts	4
Contacts	Bronze, CuSn, Gold-plated
Contact carriers	Plastic, TPU, Black
Connector seal	O-ring, FKM/FPM
Housing material/finish	Brass, CuZn, Nickel-plated
Tightening torque (range)	0.4 ... 1.8 Nm (note max. torque of mating connector!)
Mounting orientation	Rear mount
Panel seal	Gasket, NBR
Mounting thread	M16 × 1.5
Locknut	Brass, CuZn, Nickel-plated
Receptacle mounting torque	2.5...7.3 Nm
Mechanical life	> 100 Mating cycles
Pollution degree	3
Protection class (When coupled)	IP67, IP68, IP69, IP69K NEMA: 1, 3, 4, 6P, 12
Conductor data	
Total number of conductors	4

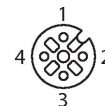
Features



- M12, Female, Receptacle, Rear mount, 4-pin
- Mounting thread: M16 x 1.5

Contact assignment

Connector A



Circuit Diagram

1	BN
2	WH
3	BU
4	BK

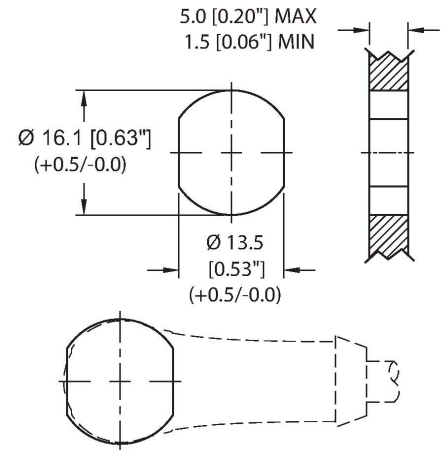
Technical data

Length (L)	1 m, 1 m, (+50mm or 4% of length/-0.0, Whichever is greater)
Conductor material	TC (tinned copper)
Conductor insulation material	PVC
Conductor size	22 AWG [Similar to 0.34 mm ²]
Conductor colors	BN, WH, BU, BK
Electrical properties at +20 °C	
Rated voltage	250 V _{AC} /300 V _{DC}
Current	4 A
Mechanical and chemical properties	
Ambient temperature range (static)	-40 °C...+105 °C
Approvals	UL 2238 CSA C22.2 No. 182.3 CE UKCA RoHS

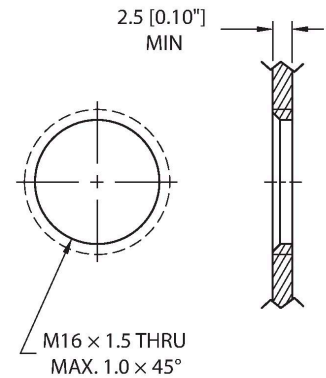
Note

- We reserve the right to make technical alterations without prior notice.

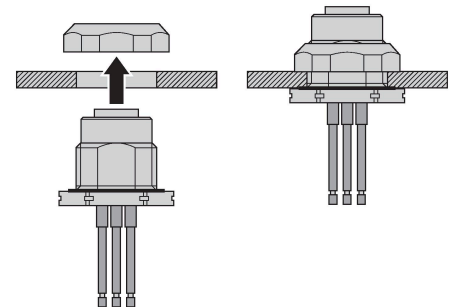
Mounting hole - Through



Mounting hole - Threaded



Rear-mounted

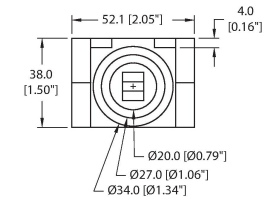


Accessories

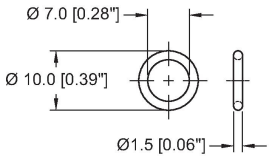
DECAL,9-CLRS,RECEPT+BOXES,EURO(QTY1) 100008955



1 decal sticker containing 9 different color sets of 11 decals to color code a sensor, junction block port, cable end, or receptacle. 5ct 4x9mm rectangles, 4ct 8x19mm rectangles, 1ct 27mm ID ring, 1ct 20mm ID ring.



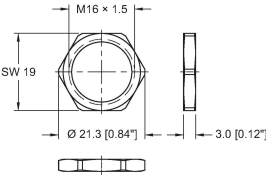
ORING-Ø7x1.5-M12-(10/BAG) 100024937



10 pack of Ø7x1.5 FKM O-rings for female M12 connectors

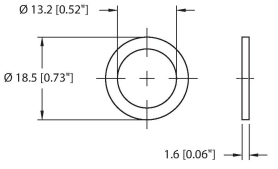
Accessories

LOCKNUT-M16-BRASS-(10/BAG) A9579



Locknut, M16, Brass, Nickel-plated, 10 per bag

M12-GASKET-PG9,M16,1/4NPT-(10/BAG) 100015009



Gasket, Black NBR, Fits PG9, M16 and 1/4NPT mounting threads, 10 per bag