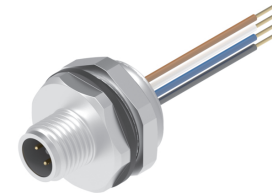
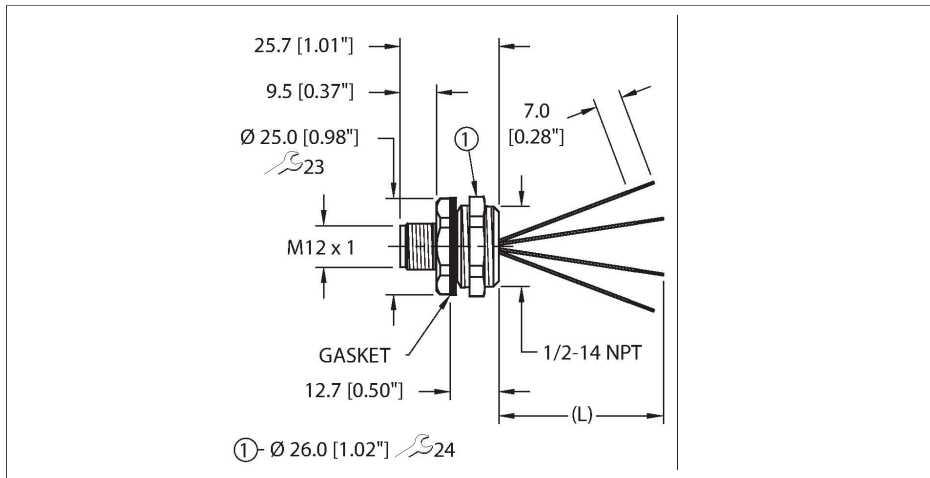


EFSVH-A4.400.2-0.5

Actuator and Sensor Receptacle – Front Mount



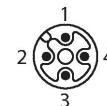
Features



- M12, Male, Receptacle, Front mount, 4-pin
- Mounting thread: 1/2"-14 NPT

Contact assignment

Connector A



Circuit Diagram



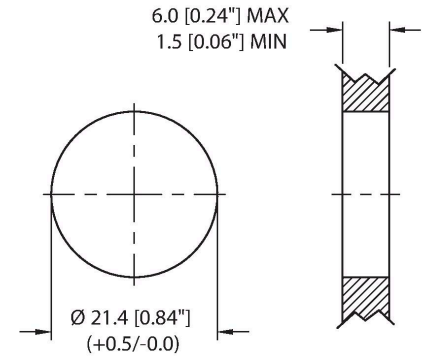
Technical data

Type	EFSVH-A4.400.2-0.5
ID	100012582
Replaces	FSV 4.4-x/14.5/NPT
Connector A	Male, M12 × 1, A-code
Design specification	Acc. to IEC 61076-2-101
Number of contacts	4
Contacts	Bronze, CuSn, Gold-plated
Contact carriers	Plastic, TPU, Black
Housing material/finish	Stainless Steel, Passivated
Tightening torque (range)	0.4 ... 1.8 Nm (note max. torque of mating connector!)
Mounting orientation	Front mount
Panel seal	Gasket, NBR
Mounting thread	1/2"-14 NPT
Locknut	Stainless Steel, Passivated
Receptacle mounting torque	3.5...10.2 Nm
Mechanical life	> 100 Mating cycles
Pollution degree	3
Protection class (When coupled)	IP67, IP68, IP69, IP69K NEMA: 1, 3, 4, 4X, 6P, 12
Conductor data	
Total number of conductors	4
Length (L)	0.5 m, (+50mm or 4% of length/-0.0, Whichever is greater)

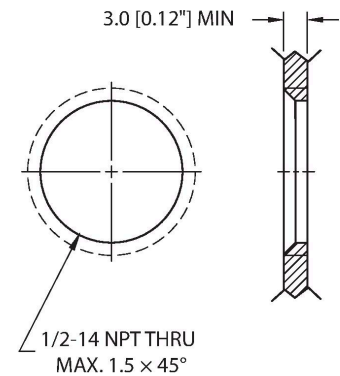
Technical data

Conductor material	TC (tinned copper)
Conductor insulation material	PVC
Conductor size	22 AWG [Similar to 0.34 mm ²]
Conductor colors	BN, WH, BU, BK
Electrical properties at +20 °C	
Rated voltage	250 V _{AC} /300 V _{DC}
Current	4 A
Mechanical and chemical properties	
Ambient temperature range (static)	-40 °C...+105 °C
Approvals	UL 2238 CSA C22.2 No. 182.3 CE UKCA RoHS
Note	
- We reserve the right to make technical alterations without prior notice.	

Mounting hole - Through



Mounting hole - Threaded



Front panel mounting

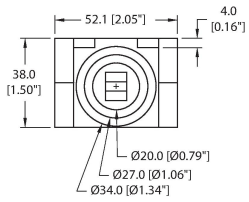


Accessories

DECAL,9-CLRS,RECEPT+BOXES,EURO(QTY1) 10008955



1 decal sticker containing 9 different color sets of 11 decals to color code a sensor, junction block port, cable end, or receptacle. 5ct 4x9mm rectangles, 4ct 8x19mm rectangles, 1ct 27mm ID ring, 1ct 20mm ID ring.



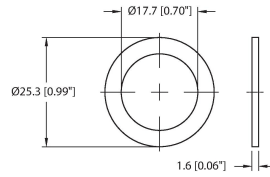
Accessories

LOCKNUT-1/2NPT-316SS-(10/BAG) 100024932



Locknut, 1/2NPT, 316 Stainless Steel, 10 per bag

M12-GASKET-M20,1/2NPT-(10/BAG) 100024930



Gasket, Black NBR, Fits M20 and 1/4NPT mounting threads, 10 per bag