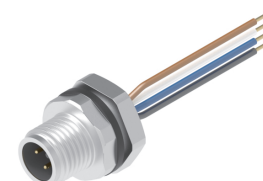
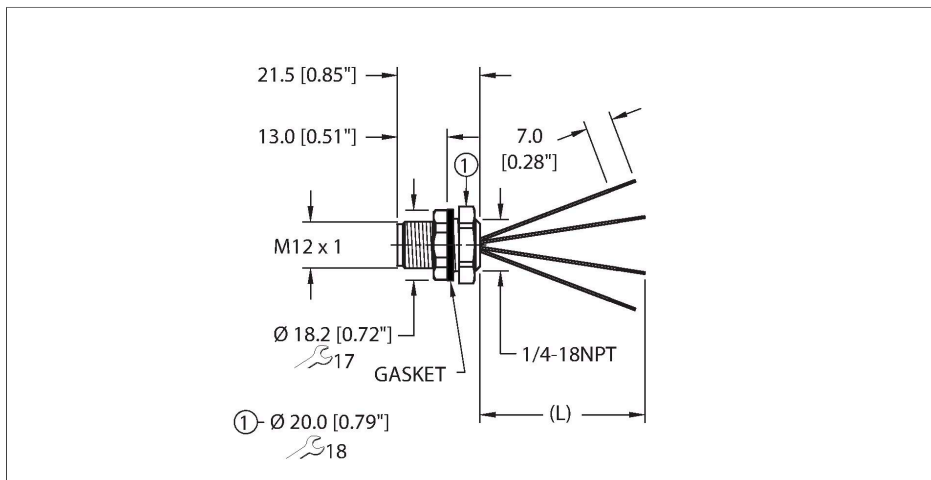


# EFSVQ-A4.400.2-2

## Actuator and Sensor Receptacle – Front Mount



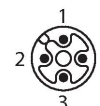
### Features



- M12, Male, Receptacle, Front mount, 4-pin
- Mounting thread: 1/4"-18 NPT

### Contact assignment

Connector A



### Circuit Diagram



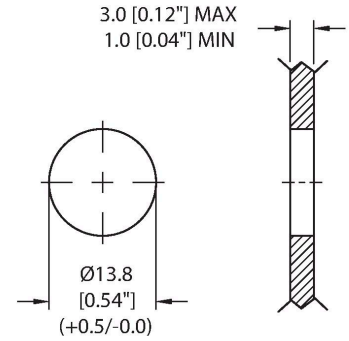
### Technical data

Type	EFSVQ-A4.400.2-2
ID	100027032
Replaces	FSV 4.4-x/18.25
Connector A	Male, M12 x 1, A-code
Design specification	Acc. to IEC 61076-2-101
Number of contacts	4
Contacts	Bronze, CuSn, Gold-plated
Contact carriers	Plastic, TPU, Black
Housing material/finish	Stainless Steel, Passivated
Tightening torque (range)	0.4 ... 1.8 Nm (note max. torque of mating connector!)
Mounting orientation	Front mount
Panel seal	Gasket, NBR
Mounting thread	1/4"-18 NPT
Locknut	Stainless Steel, Passivated
Receptacle mounting torque	3.5...6.2 Nm
Mechanical life	> 100 Mating cycles
Pollution degree	3
Protection class (When coupled)	IP67, IP68, IP69, IP69K NEMA: 1, 3, 4, 4X, 6P, 12
<b>Conductor data</b>	
Total number of conductors	4
Length (L)	2 m, (+50mm or 4% of length/-0.0, Whichever is greater)

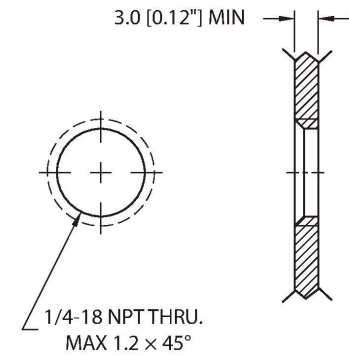
**Technical data**

Conductor material	TC (tinned copper)
Conductor insulation material	PVC
Conductor size	22 AWG [Similar to 0.34 mm <sup>2</sup> ]
Conductor colors	BN, WH, BU, BK
<b>Electrical properties at +20 °C</b>	
Rated voltage	250 V <sub>AC</sub> /300 V <sub>DC</sub>
Current	4 A
<b>Mechanical and chemical properties</b>	
Ambient temperature range (static)	-40 °C...+105 °C
Approvals	UL 2238 CSA C22.2 No. 182.3 CE UKCA RoHS
<b>Note</b>	
- We reserve the right to make technical alterations without prior notice.	

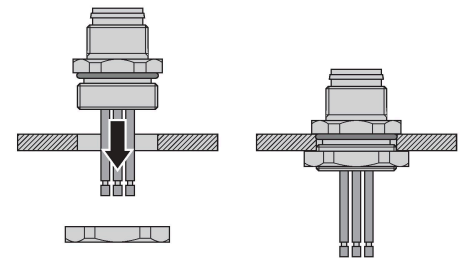
**Mounting hole - Through**



**Mounting hole - Threaded**



**Front panel mounting**

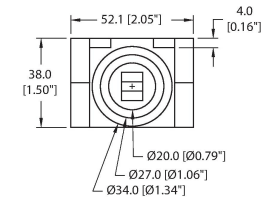


Accessories

**DECAL,9-CLRS,RECEPT+BOXES,EURO(QTY1) 10008955**

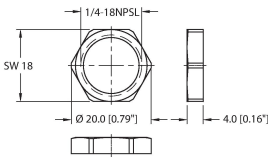


1 decal sticker containing 9 different color sets of 11 decals to color code a sensor, junction block port, cable end, or receptacle. 5ct 4x9mm rectangles, 4ct 8x19mm rectangles, 1ct 27mm ID ring, 1ct 20mm ID ring.



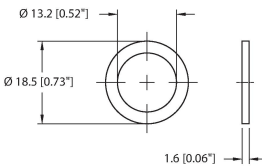
Accessories

**LOCKNUT-1/4NPT-316SS-(10/BAG) 100024934**



Locknut, 1/4NPT, 316 Stainless Steel, 10 per bag

**M12-GASKET-PG9,M16,1/4NPT-(10/BAG) 100015009**



Gasket, Black NBR, Fits PG9, M16 and 1/4NPT mounting threads, 10 per bag