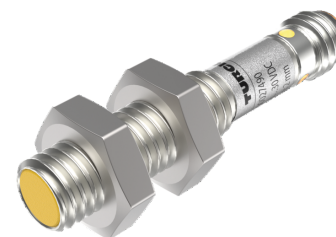
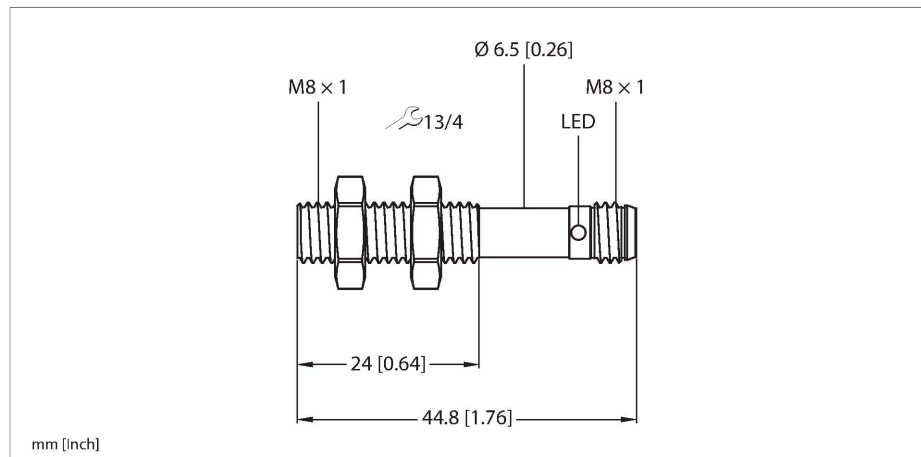


BCT2-M08-IOL-V1131

Capacitive Sensor

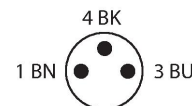


Technical data

Type	BCT2-M08-IOL-V1131
ID	100027490
Hysteresis	10...20 %
Ambient temperature	-25...+70 °C
Medium temperature	-25...+70 °C
Electrical data	
Operating voltage	18...30 VDC
DC rated operational current	≤ 100 mA
Switching frequency	0.2 kHz
Isolation test voltage	≤ 0.5 kV
Communication protocol	IO-Link
SIO mode-compatible	Yes
Number of digital outputs	1
Output function	3-pin, NO/NC programmable, PNP/NPN
Voltage drop at I _o	≤ 2 V
Insulation class	III
Tests/approvals	
IO-Link	
IO-Link specification	V 1.1
Programming	FDT/DTM
Transmission physics	corresponds to 3-wire physics (PHY2)
Transmission rate	COM 2/38.4 kbps
Process data width	16 bit

Features

- Detection of metallic and non-metallic objects
- Detection of liquids, powders and solid materials
- All functions can be parameterized via IO-Link
- Three different types of object teaching (one value, two value, dynamic) possible
- Available counting function whose content can be called up via IO-Link
- Switching status indicated by four LEDs arranged all around the device
- Male connector, M8 × 1, 3-pin
- Robust, compact housing made of nickel-plated brass
- M8 threaded design, flush, switching distance = 2 mm



Technical data

Measured value information	12 bit
Frame type	2.2
Included in the SIDI GSDML	Yes
Mechanical data	
Design	Threaded barrel, M8 x 1
Dimensions	44.8 mm
Housing material	Metal, Nickel-Plated Brass
Active area material	yellow
Electrical connection	Connector, M8 x 1
Protection class	IP67
MTTF	1080 years acc. to SN 29500 (Ed. 99) 40 °C
Switching state	LED, 4 x yellow

Mounting instructions

Product features	
Distance D	16 mm
Distance W	8 mm
Distance S	12 mm
Distance G	16 mm
Diameter active area B	Ø 8 mm

The given minimum distances have been checked against the standard switching distance.
Should the sensitivity of the sensors be changed via potentiometer, the data sheet specifications no longer apply.