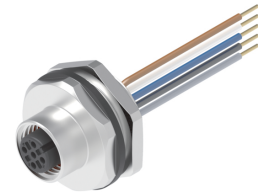
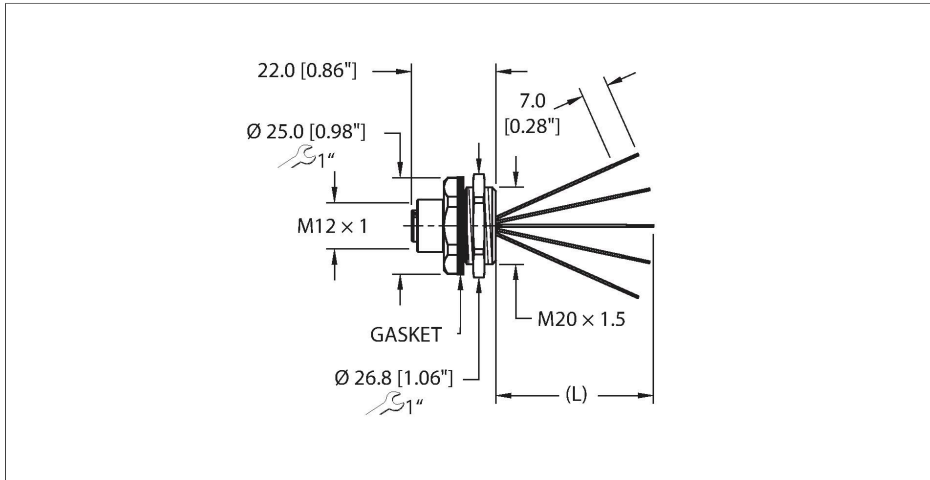


EFKBT-A5.500.2-0.6

Actuator and Sensor Receptacle – Front Mount



Technical data

Type	EFKBT-A5.500.2-0.6
ID	100031230
Replaces	FK 4.5-x/M20
Connector A	Female, M12 × 1, A-code
Design specification	Acc. to IEC 61076-2-101
Number of contacts	5
Contacts	Bronze, CuSn, Gold-plated
Contact carriers	Plastic, TPU, Black
Connector seal	O-ring, FKM/FPM
Housing material/finish	Brass, CuZn, Nickel-plated
Tightening torque (range)	0.4 ... 1.8 Nm (note max. torque of mating connector!)
Mounting orientation	Front mount
Panel seal	O-ring, NBR
Mounting thread	M20 × 1.5
Receptacle mounting torque	3.5...9.6 Nm
Mechanical life	> 100 Mating cycles
Pollution degree	3
Protection class (When coupled)	IP67, IP68, IP69, IP69K NEMA: 1, 3, 4, 6P, 12
Conductor data	
Total number of conductors	5
Length (L)	0.6 m, (+50mm or 4% of length/-0.0, Whichever is greater)

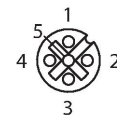
Features



- M12, Female, Receptacle, Front mount, 5-pin
- Mounting thread: M20 × 1.5

Contact assignment

Connector A



Circuit Diagram

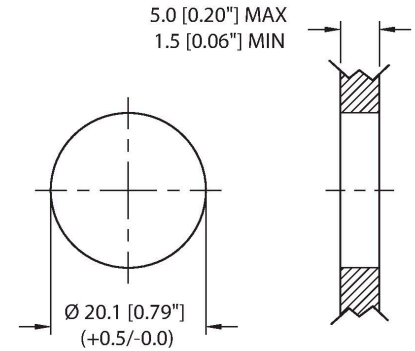
1	BN
2	WH
3	BU
4	BK
5	GY

EFKBT-A5.500.2-0.6 | 12/03/2022 18-15 | technical changes reserved

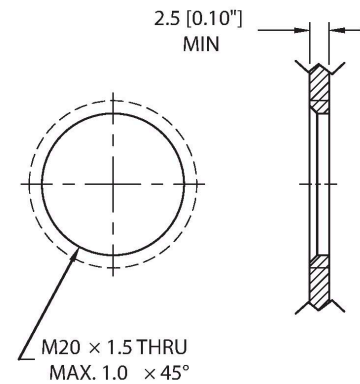
Technical data

Conductor material	TC (tinned copper)
Conductor insulation material	PVC
Conductor size	22 AWG [Similar to 0.34 mm ²]
Conductor colors	BN, WH, BU, BK, GY
Electrical properties at +20 °C	
Rated voltage	250 V _{AC} /300 V _{DC}
Current	4 A
Mechanical and chemical properties	
Ambient temperature range (static)	-40 °C...+105 °C
Approvals	UL 2238 CSA C22.2 No. 182.3 CE UKCA RoHS
Note	
- We reserve the right to make technical alterations without prior notice.	

Mounting hole - Through



Mounting hole - Threaded



Front panel mounting



Accessories

M12-GASKET-M20,1/2NPT-(10/BAG)

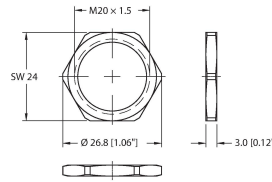
100024930



Gasket, Black NBR, Fits M20 and 1/4NPT mounting threads, 10 per bag

LOCKNUT-M20-BRASS-(10/BAG)

A3118



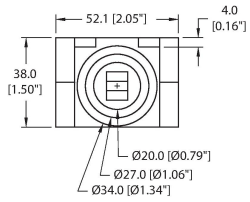
Locknut, M20, Brass, Nickel-plated, 10 per bag

DECAL,9-CLRS,RECEPT+BOXES,EURO(QTY1)

100008955

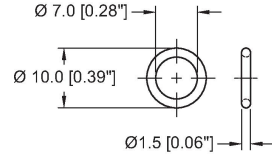


1 decal sticker containing 9 different color sets of 11 decals to color code a sensor, junction block port, cable end, or receptacle. 5ct 4x9mm rectangles, 4ct 8x19mm rectangles, 1ct 27mm ID ring, 1ct 20mm ID ring.



ORING-Ø7x1.5-M12-(10/BAG)

100024937



10 pack of Ø7x1.5 FKM O-rings for female M12 connectors