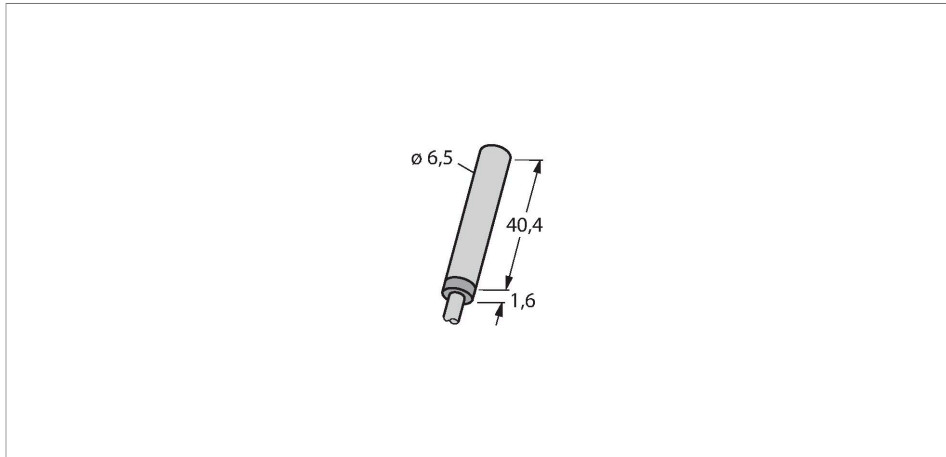


# BI1.5-EH6.5-LU

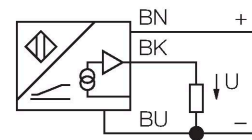
## Inductive Sensor – With Analog Output



### Features

- Smooth barrel, Ø 6.5 mm
- Stainless steel, 1.4427 SO
- 3-wire, 15...30 VDC
- Analog output
- 0...10 V
- Cable connection

### Wiring diagram



### Technical data

Type	BI1.5-EH6.5-LU
ID	1533002
<b>General data</b>	
Measuring range	0.25...1.25 mm
Mounting conditions	Flush
Secured operating distance	$\leq (0.81 \times S_n)$ mm
Correction factors	St37 = 1; Al = 0.3; stainless steel = 0.7; Ms = 0.4
Repeatability	$\leq 1$ % of measuring range  A - B
	0.5 %, after warm-up 0.5 h
Reproducibility	$\leq 10$ $\mu$ m
	$\leq 5$ $\mu$ m, after a warm-up time of 0.5 h
Linearity deviation	$\leq 3$ %
Temperature drift	$\leq \pm 0.06$ %/K
<b>Electrical data</b>	
Operating voltage	15...30 VDC
Residual ripple	$\leq 10$ % $U_{ss}$
No-load current	8 mA
Isolation test voltage	$\leq 0.5$ kV
Short-circuit protection	yes
Wire breakage/Reverse polarity protection	no / Complete
Output function	3-wire, Analog output
Voltage output	0...10 V
Load resistance voltage output	$\geq 4.7$ k $\Omega$

### Functional principle

Inductive TURCK sensors with analog output accomplish simple control tasks. They provide a current, voltage or frequency signal proportional to the target's distance. The output signal is linear to the distance of the target over the entire sensing range.

## Technical data

Measuring sequence frequency	200 Hz
<b>Mechanical data</b>	
Design	Smooth barrel, 6,5 mm
Dimensions	42 mm
Housing material	Stainless steel, 1.4427 SO
Active area material	Plastic, PA12-GF20
End cap	Plastic, PP
Electrical connection	Cable
Cable quality	Ø 4 mm, LifY-11Y, PUR, 2 m
Core cross-section	3 x 0.25 mm <sup>2</sup>
<b>Environmental conditions</b>	
Ambient temperature	-25...+70 °C
Vibration resistance	55 Hz (1 mm)
Shock resistance	30 g (11 ms)
Protection class	IP67
MTTF	751 years acc. to SN 29500 (Ed. 99) 40 °C

## Mounting instructions

Mounting instructions/Description		
	Distance D	16 mm
	Distance W	4.5 mm
	Distance T	3 x B
	Distance S	12 mm
	Distance G	9 mm
	Diameter active area B	Ø 6.5 mm