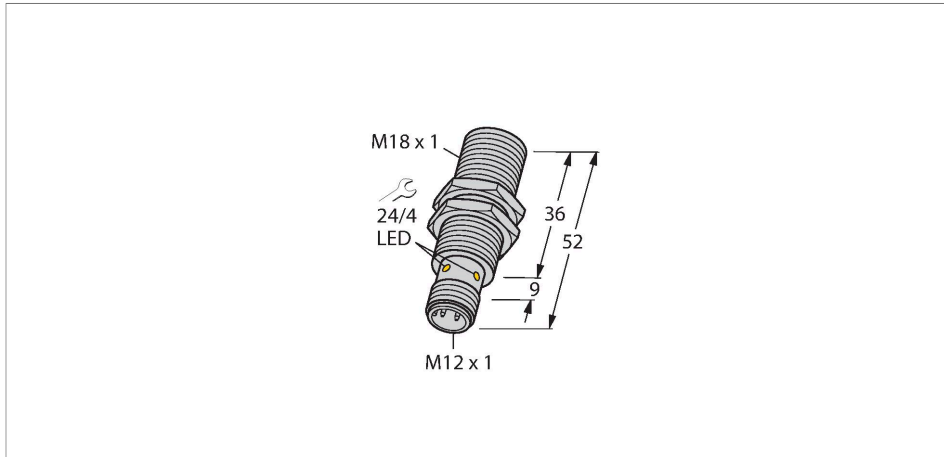


BI8-EM18-AN45XLD-H1141

Inductive Sensor – For Use in Vehicle Board Nets



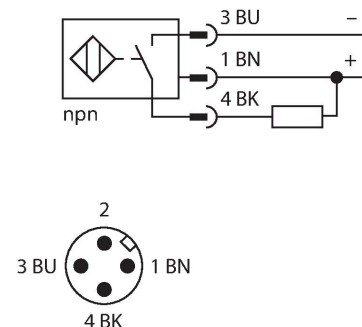
Features

- Threaded barrel, M18 x 1
- Stainless steel, 1.4301
- For vehicle board nets, 12 V and 24 V
- Increased interference immunity 100 V/m radiated acc. ISO 11452-4 and 100 mA BCI acc. to ISO 11452-2
- Load-dump protection acc. to DIN ISO 7637-2 (SAE J 113-11)
- Extended temperature range
- High protection class IP68/IP69K
- Protection against salt spray and rapid temperature change
- Laser engraved label, permanently legible
- DC 3-wire, 8.4...65 VDC
- NO contact, NPN output
- M12 x 1 male connector

Technical data

Type	BI8-EM18-AN45XLD-H1141
ID	1584017
General data	
Rated switching distance	8 mm
Mounting conditions	Flush
Secured operating distance	$\leq (0.81 \times S_n)$ mm
Correction factors	St37 = 1; Al = 0.3; stainless steel = 0.7; Ms = 0.4
Repeat accuracy	≤ 2 % of full scale
Temperature drift	$\leq \pm 10$ % $\leq \pm 15$ %, ≤ -25 °C v $\geq +70$ °C
Hysteresis	3...15 %
Electrical data	
Operating voltage	8.6...65 VDC
Residual ripple	≤ 10 % U_{ss}
DC rated operational current	≤ 200 mA
No-load current	15 mA
Residual current	≤ 0.1 mA
Isolation test voltage	≤ 0.5 kV
Short-circuit protection	yes / Cyclic
Voltage drop at I_o	≤ 1.8 V
Wire breakage/Reverse polarity protection	yes / Complete
Output function	3-wire, NO contact, NPN
Load-dump protection (DIN ISO 7637-2)	Severity degree IV/Level 4

Wiring diagram



Functional principle

Maximum reliability even under the most extreme environmental conditions is guaranteed by our sensors for mobile applications. TURCK's inductive sensors for extremely hostile industrial environments not only meet, but even exceed the requirements of the protection classes IP68 and IP69.

Applied in vehicles for road construction or in agricultural machines, these sensors excel in high vibration and shock resistance and they withstand fast temperature cycles.

Technical data

Switching frequency 0.5 kHz

Mechanical data

Design Threaded barrel, M18 x 1

Dimensions 52 mm

Housing material Stainless steel, 1.4301 (AISI 304)

Active area material Plastic, PA12-GF30

Max. tightening torque of housing nut 25 Nm

Electrical connection Connector, M12 x 1

Environmental conditions

Ambient temperature -40...+85 °C

Temperature changes (EN60068-2-14) -40... +85 °C; 20 cycles

Vibration resistance 55 Hz (1 mm)

Vibration resistance (EN 60068-2-6) 20 g; 10...3000 Hz; 50 cycles; 3 axes

Shock resistance 30 g (11 ms)

Shock resistance (EN 60068-2-27) 150 g; 6 ms ½ sine; 3 x each; 3 axes

Continuous shock resistance (EN 60068-2-29) 100 g; 11 ms ½ sine; 3 x each; 3 axes

Salt spray test (EN 60068-2-52) Severity degree 5 (4 test cycles)

Protection class IP68
IP69K

MTTF 2283 years acc. to SN 29500 (Ed. 99) 40 °C

Switching state LED, Yellow

12 V Bordnet						
Impulse	1	2	3a	3b	4	5
Severity level	IV	IV	IV	IV	IV	IV
Failure criterion	C	C	A	A	C	C

24 V Bordnet						
Impulse	1	2	3a	3b	4	5
Severity level	III	IV	IV	IV	III	IV
Failure criterion	C	C	A	A	A	C

Mounting instructions

Mounting instructions/Description



Distance D 2 x B

Distance W 3 x Sn

Distance T 3 x B

Distance S 1.5 x B

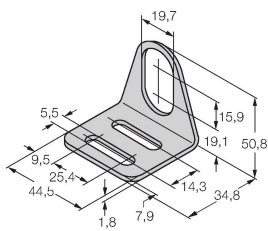
Distance G 6 x Sn

Diameter active area B \varnothing 18 mm

Accessories

MW-18

6945004



Mounting bracket for threaded barrel sensors; material: Stainless steel A2 1.4301 (AISI 304)

BSS-18

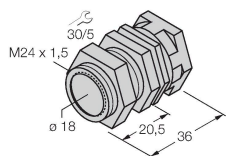
6901320



Mounting clamp for smooth and threaded barrel sensors; material: Polypropylene

QM-18

6945102



Quick-mount bracket with dead-stop; material: Chrome-plated brass. Male thread M24 x 1.5. Note: The switching distance of the proximity switches may change when using quick-mount brackets.