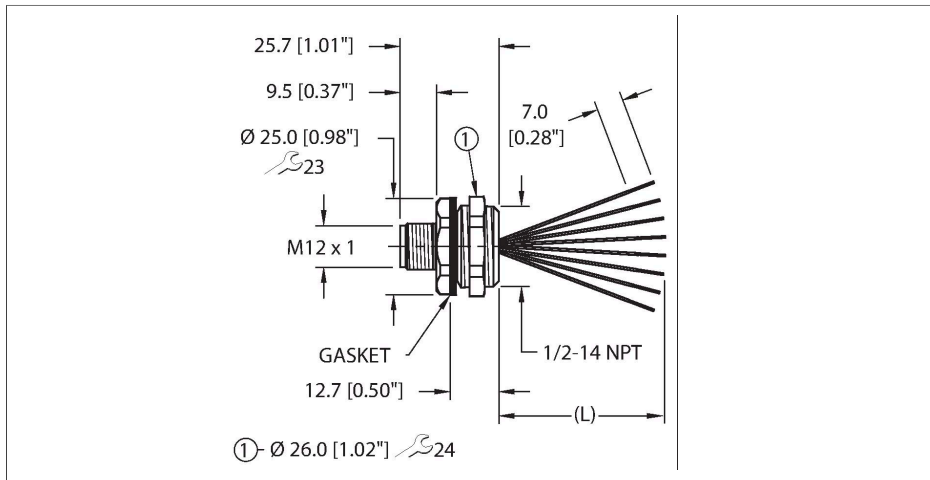


EFSVH-A8.800.4-0.5

Actuator and Sensor Receptacle – Front Mount



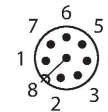
Features



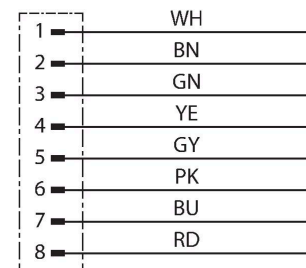
- M12, Male, Receptacle, Front mount, 8-pin
- Mounting thread: 1/2"-14 NPT

Contact assignment

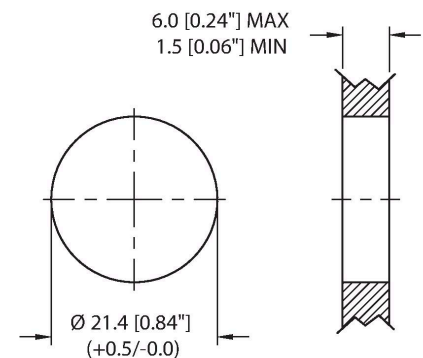
Connector A



Circuit Diagram



Mounting hole - Through



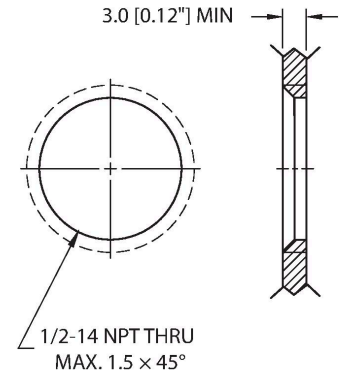
Technical data

| | |
|---------------------------------|--|
| Type | EFSVH-A8.800.4-0.5 |
| ID | 200002266 |
| Replaces | FSV 8-x/14.5/NPT |
| Connector A | Male, M12 x 1, A-code |
| Design specification | Acc. to IEC 61076-2-101 |
| Number of contacts | 8 |
| Contacts | Bronze, CuSn, Gold-plated |
| Contact carriers | Plastic, TPU, Black |
| Housing material/finish | Stainless Steel, Passivated |
| Tightening torque (range) | 0.4 ... 1.8 Nm (note max. torque of mating connector!) |
| Mounting orientation | Front mount |
| Panel seal | Gasket, NBR |
| Mounting thread | 1/2"-14 NPT |
| Locknut | Stainless Steel, Passivated |
| Receptacle mounting torque | 3.5...10.2 Nm |
| Mechanical life | > 100 Mating cycles |
| Pollution degree | 3 |
| Protection class (When coupled) | IP67, IP68, IP69, IP69K NEMA: 1, 3, 4, 4X, 6P, 12 |
| Conductor data | |
| Total number of conductors | 8 |
| Length (L) | 0.05 m, (+50mm or 4% of length/-0.0, Whichever is greater) |

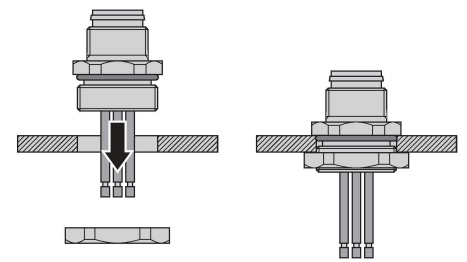
Technical data

| | |
|--|--|
| Conductor material | TC (tinned copper) |
| Conductor insulation material | PVC |
| Conductor size | 24 AWG [Similar to 0.25 mm ²] |
| Conductor colors | WH, BN, GN, YE, GY, PK, BU, RD |
| Electrical properties at +20 °C | |
| Rated voltage | 60 V _{AC} /75 V _{DC} |
| Current | 3 A |
| Mechanical and chemical properties | |
| Ambient temperature range (static) | -40 °C...+105 °C |
| Approvals | UL 2238 CSA C22.2 No. 182.3 CE UKCA RoHS |
| Note | |
| - We reserve the right to make technical alterations without prior notice. | |

Mounting hole - Threaded



Front panel mounting

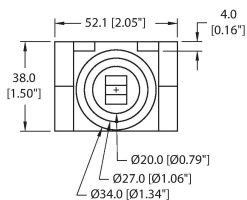


Accessories

DECAL,9-CLRS,RECEPT+BOXES,EURO(QTY1) 100008955

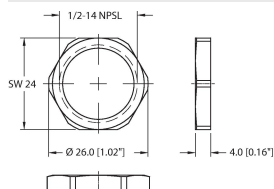


1 decal sticker containing 9 different color sets of 11 decals to color code a sensor, junction block port, cable end, or receptacle. 5ct 4x9mm rectangles, 4ct 8x19mm rectangles, 1ct 27mm ID ring, 1ct 20mm ID ring.



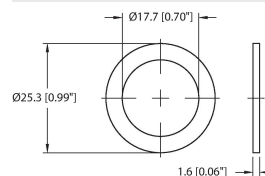
Accessories

LOCKNUT-1/2NPT-316SS-(10/BAG) 100024932



Locknut, 1/2NPT, 316 Stainless Steel, 10 per bag

M12-GASKET-M20,1/2NPT-(10/BAG) 100024930



Gasket, Black NBR, Fits M20 and 1/4NPT mounting threads, 10 per bag