



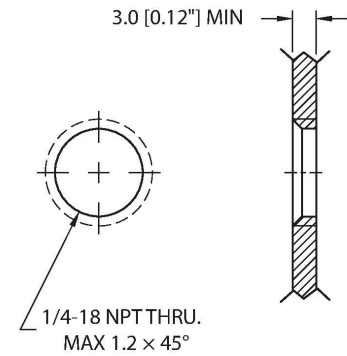
## Technical data

Length (L)	2 m, (+50mm or 4% of length/-0.0, Whichever is greater)
Conductor material	TC (tinned copper)
Conductor insulation material	PVC
Conductor size	24 AWG [Similar to 0.25 mm <sup>2</sup> ]
Conductor colors	WH, BN, GN, YL, GY, PK, BU, RD
<b>Electrical properties at +20 °C</b>	
Rated voltage	60 V <sub>AC</sub> /75 V <sub>DC</sub>
Current	3 A
<b>Mechanical and chemical properties</b>	
Ambient temperature range (static)	-40 °C...+105 °C
Approvals	UL 2238 CSA C22.2 No. 182.3 CE UKCA RoHS

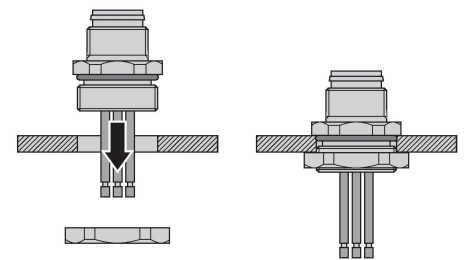
### Note

- We reserve the right to make technical alterations without prior notice.

## Mounting hole - Threaded



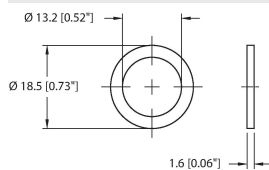
## Front panel mounting



## Accessories

### M12-GASKET-PG9,M16,1/4NPT-(10/BAG)

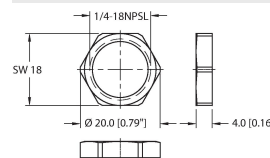
100015009



Gasket, Black NBR, Fits PG9, M16 and 1/4NPT mounting threads, 10 per bag

### LOCKNUT-1/4NPT-316SS-(10/BAG)

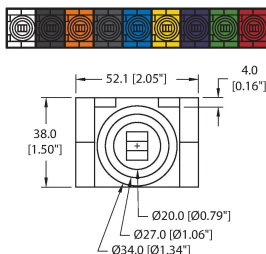
100024934



Locknut, 1/4NPT, 316 Stainless Steel, 10 per bag

### DECAL,9-CLRS,RECEPT+BOXES,EURO(QTY1)

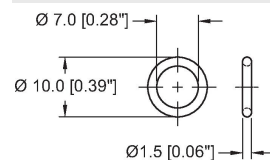
100008955



1 decal sticker containing 9 different color sets of 11 decals to color code a sensor, junction block port, cable end, or receptacle. 5ct 4x9mm rectangles, 4ct 8x19mm rectangles, 1ct 27mm ID ring, 1ct 20mm ID ring.

### ORING-Ø7x1.5-M12-(10/BAG)

100024937



10 pack of Ø7x1.5 FKM O-rings for female M12 connectors