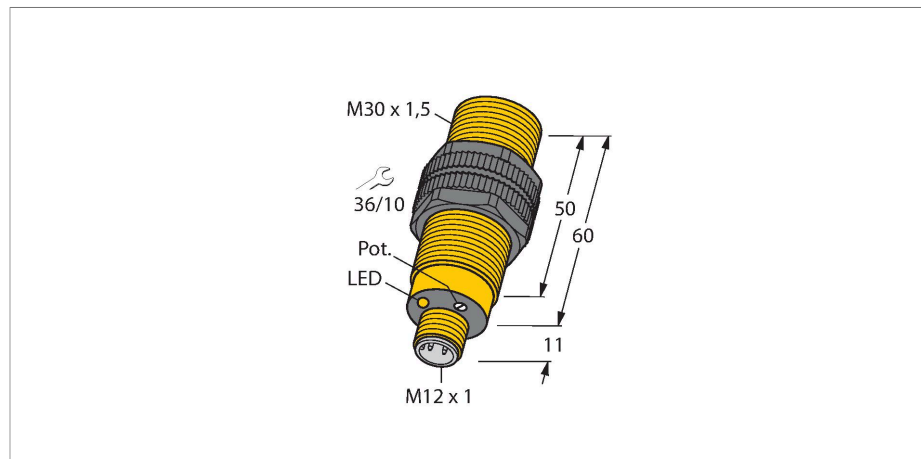


# BCC10-S30-AP4X-H1141

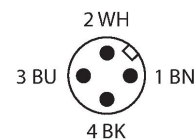
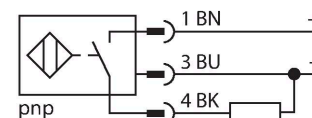
## Capacitive Sensor – For the Detection of Dry Pellets



### Features

- M30 × 1.5 threaded barrel
- Plastic, PA12-GF30
- Fine adjustment via potentiometer
- Especially for dry pellets and the plastics industry
- EMC and ESD resistant
- DC 3-wire, 10...65 VDC
- NO contact, PNP output
- M12 × 1 connector

### Wiring diagram

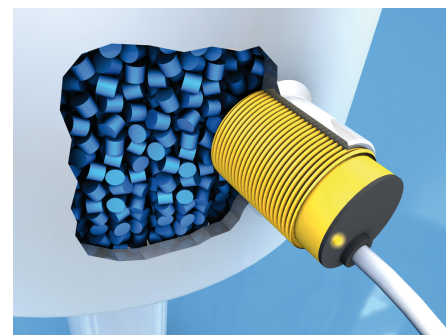


### Technical data

Type	BCC10-S30-AP4X-H1141
ID	2503038
Rated switching distance (flush)	10 mm
Rated switching distance (non-flush)	10 mm
Secured operating distance	≤ (0.72 × Sn)
Hysteresis	1...20 %
Temperature drift	Typical 20 %
Repeat accuracy	≤ 2 % of full scale
Ambient temperature	-25...+70 °C
<b>Electrical data</b>	
Operating voltage	10...65 VDC
Residual ripple	≤ 10 % U <sub>ss</sub>
DC rated operational current	≤ 200 mA
No-load current	≤ 15 mA
Residual current	≤ 0.1 mA
Switching frequency	0.1 kHz
Isolation test voltage	≤ 0.5 kV
Output function	3-wire, NO contact, PNP
Short-circuit protection	yes / Cyclic
Voltage drop at I <sub>o</sub>	≤ 1.8 V
Wire breakage/Reverse polarity protection	yes / Complete

### Functional principle

Level monitoring of pellets is usually done with sensors mounted in pipes, silos or on inspection windows. The new TURCK sensor series features excellent EMC and ESD properties. Mounting in metal flanges induces lateral predamping which disturbs normal sensor. This effect is neutralized with a laterally mounted shield and an integrated processing unit. A constant switching distance is thus achieved.



## Technical data

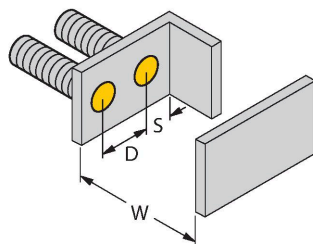
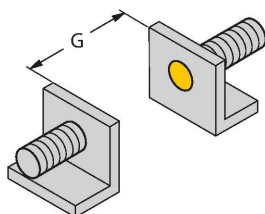
### Tests/approvals

### Mechanical data

Design	Threaded barrel, M30 x 1.5
Dimensions	60 mm
Housing material	Plastic, PA12-GF30, PEI
Active area material	PA12-GF30, yellow
Admissible pressure on front cap	≤ 3 bar
Max. tightening torque of housing nut	5 Nm
Electrical connection	Connector, M12 × 1
Vibration resistance	55 Hz (1 mm)
Shock resistance	30 g (11 ms)
Protection class	IP67
MTTF	1080 years acc. to SN 29500 (Ed. 99) 40 °C
Power-on indication	Green
Switching state	LED, Yellow

## Mounting instructions

### Product features



Distance D	60 mm
------------	-------

Distance W	30 mm
------------	-------

Distance S	45 mm
------------	-------

Distance G	60 mm
------------	-------

Diameter active area B	Ø 30 mm
------------------------	---------

The given minimum distances have been checked against the standard switching distance.  
Should the sensitivity of the sensors be changed via potentiometer, the data sheet specifications no longer apply.