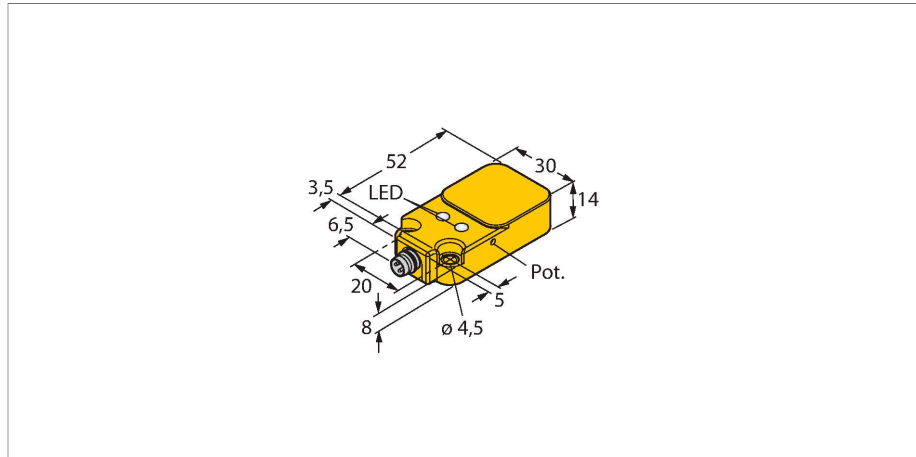


BC10-Q14-AN4X2-V1131

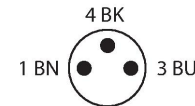
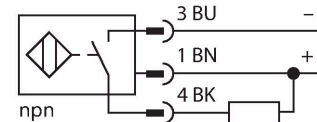
Capacitive Sensor



Features

- Rectangular, height 14mm
- Active face on top
- Plastic, PBT-GF30-V0
- Fine adjustment via potentiometer
- DC 3-wire, 10...65 VDC
- NO contact, NPN output
- M8 × 1 connector

Wiring diagram



Technical data

| | |
|-------------------------------------------|-----------------------------------------------------------|
| Type | BC10-Q14-AN4X2-V1131 |
| ID | 2530011 |
| Rated switching distance (flush) | 10 mm |
| Rated switching distance (non-flush) | 10 mm |
| Secured operating distance | $\leq (0.72 \times S_n)$ |
| Hysteresis | 1...20 % |
| Temperature drift | Typical 20 % |
| Repeat accuracy | $\leq 2 \%$ of full scale |
| Ambient temperature | -25...+70 °C |
| Electrical data | |
| Operating voltage | 10...65 VDC |
| Residual ripple | $\leq 10 \%$ U_{ss} |
| DC rated operational current | ≤ 200 mA |
| No-load current | ≤ 15 mA |
| Residual current | ≤ 0.1 mA |
| Switching frequency | 0.1 kHz |
| Oscillation frequency | According to EN 60947-5-2, 8.2.6.2 Table 9: 0.1...2.0 MHz |
| Isolation test voltage | ≤ 0.5 kV |
| Output function | 3-wire, NO contact, NPN |
| Short-circuit protection | yes / Cyclic |
| Voltage drop at I_o | ≤ 1.8 V |
| Wire breakage/Reverse polarity protection | yes / Complete |

Functional principle

Capacitive proximity switches are designed for non-contact and wear-free detection of electrically conductive as well as non-conductive metal objects.

Technical data

| Tests/approvals | |
|------------------------|--------------------------------------------|
| Approvals | UL |
| UL registration number | E210608 |
| Mechanical data | |
| Design | Rectangular, Q14 |
| Dimensions | 55.5 x 30 x 14 mm |
| Housing material | Plastic, PBT-GF30-V0 |
| Active area material | PBT-GF30-V0 |
| Electrical connection | Connector, M8 × 1 |
| Vibration resistance | 55 Hz (1 mm) |
| Shock resistance | 30 g (11 ms) |
| Protection class | IP67 |
| MTTF | 1080 years acc. to SN 29500 (Ed. 99) 40 °C |
| Power-on indication | LED, Green |
| Switching state | LED, Yellow |
| Included in delivery | MH-Q14 |