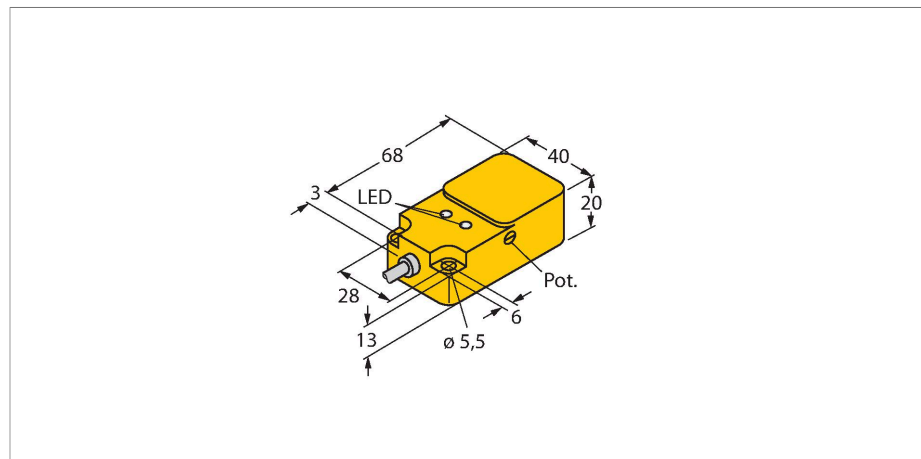


# BC20-Q20-AZ3X2

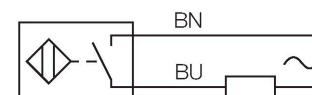
## Capacitive Sensor



### Features

- Rectangular, height 20mm
- Active face on top
- Plastic, PBT-GF30-V0
- Fine adjustment via potentiometer
- AC 2-wire, 20...250 VAC
- NO contact
- Cable connection

### Wiring diagram



### Technical data

Type	BC20-Q20-AZ3X2
ID	4352000
Rated switching distance (flush)	20 mm
Rated switching distance (non-flush)	20 mm
Secured operating distance	≤ (0.72 × Sn)
Hysteresis	2...20 %
Temperature drift	Typical 20 %
Repeat accuracy	≤ 2 % of full scale
Ambient temperature	-25...+70 °C
<b>Electrical data</b>	
Operating voltage	20...250 VAC
AC rated operational current	≤ 500 mA
Frequency	≥ 50...≤ 60 Hz
Smallest operating current	≥ 5 mA
Residual current	≤ 1.7 mA
Switching frequency	0.02 kHz
Oscillation frequency	According to EN 60947-5-2, 8.2.6.2 Table 9: 0.1...2.0 MHz
Isolation test voltage	≤ 1.5 kV
Output function	2-wire, NO contact, 2-wire
Voltage drop at I <sub>o</sub>	≤ 7 V
<b>Tests/approvals</b>	
<b>Mechanical data</b>	
Design	Rectangular, Q20

### Functional principle

Capacitive proximity switches are designed for non-contact and wear-free detection of electrically conductive as well as non-conductive metal objects.

## Technical data

Dimensions	68 x 40 x 20 mm
Housing material	Plastic, PBT-GF30-V0
Active area material	PBT-GF30-V0
Electrical connection	Cable
Cable quality	Ø 5.2 mm, LifYY, PVC, 2 m
Core cross-section	3 x 0.34 mm <sup>2</sup>
Vibration resistance	55 Hz (1 mm)
Shock resistance	30 g (11 ms)
Protection class	IP67
MTTF	1080 years acc. to SN 29500 (Ed. 99) 40 °C
Power-on indication	LED, Green
Switching state	LED, Red
Included in delivery	Mounting sleeve (MH-Q20), 2 pcs.