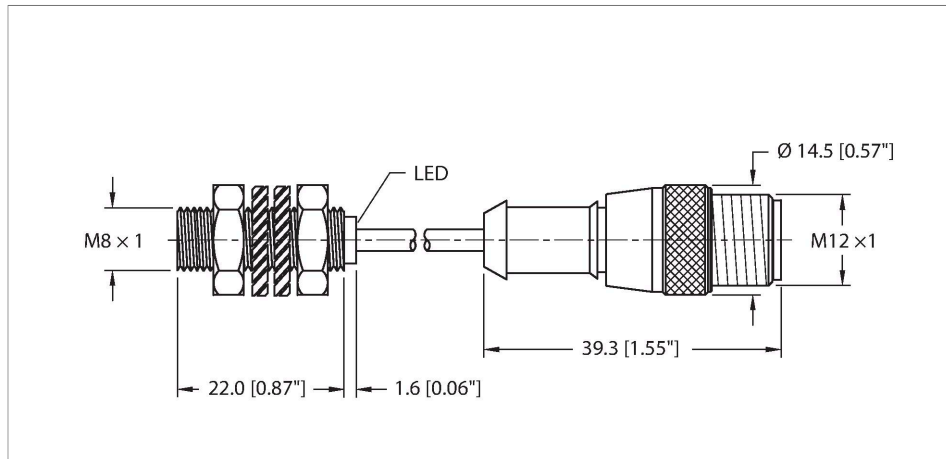


BI2-EGT08K-AP6X-0.2-RS4T

Inductive Sensor



Features

- Threaded barrel, M8 x 1
- Stainless steel, PTFE-coated
- DC 3-wire, 10...30 VDC
- NO contact, PNP output
- Pigtail with male end M12 x 1

Wiring diagram



Technical data

| | |
|---|---|
| Type | BI2-EGT08K-AP6X-0.2-RS4T |
| ID | 4602583 |
| General data | |
| Rated switching distance | 2 mm |
| Mounting conditions | Flush |
| Secured operating distance | $\leq (0.81 \times S_n)$ mm |
| Correction factors | St37 = 1; Al = 0.3; stainless steel = 0.7; Ms = 0.4 |
| Repeat accuracy | ≤ 2 % of full scale |
| Hysteresis | 3...15 % |
| Electrical data | |
| Operating voltage | 10...30 VDC |
| Residual ripple | ≤ 10 % U_{ss} |
| DC rated operational current | ≤ 150 mA |
| No-load current | 15 mA |
| Residual current | ≤ 0.1 mA |
| Isolation test voltage | ≤ 0.5 kV |
| Short-circuit protection | yes / Cyclic |
| Voltage drop at I_o | ≤ 1.8 V |
| Wire breakage/Reverse polarity protection | yes / Complete |
| Output function | 3-wire, NO contact, PNP |
| Switching frequency | 1 kHz |
| Mechanical data | |
| Design | Threaded barrel, M8 x 1 |

Functional principle

Inductive sensors detect metal objects contactless and wear-free. For this, they use a high-frequency electromagnetic AC field that interacts with the target. Inductive sensors generate this field via an RLC circuit with a ferrite coil.

Technical data

| | |
|---------------------------------------|---|
| Dimensions | 23.6 mm |
| Housing material | Stainless steel, 1.4427 SO, PTFE-coated |
| Active area material | Plastic, PA12-GF20, PTFE-coated |
| End cap | Plastic, PP |
| Max. tightening torque of housing nut | 5 Nm |
| Electrical connection | Cable with connector, M12 × 1 |
| Cable quality | Ø 3 mm, Gray, Lif9Y-11Y, PUR, 0.2 m |
| | Suited for E-ChainSystems® acc. to manufacturers declaration H1063M |
| Core cross-section | 3 x 0.14 mm ² |
| Environmental conditions | |
| Ambient temperature | -25...+70 °C |
| Vibration resistance | 55 Hz (1 mm) |
| Shock resistance | 30 g (11 ms) |
| Protection class | IP67 |
| MTTF | 2283 years acc. to SN 29500 (Ed. 99) 40 °C |
| Switching state | LED, Yellow |

Mounting instructions

Mounting instructions/Description



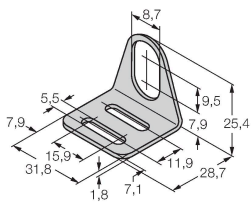
| | |
|------------------------|----------------------------|
| Distance D | $3 \times B$ |
| Distance W | $3 \times S_n$ |
| Distance T | $3 \times B$ |
| Distance S | $1.5 \times B$ |
| Distance G | $6 \times S_n$ |
| Diameter active area B | $\varnothing 8 \text{ mm}$ |

Accessories

MW-08

6945008

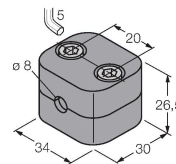
Mounting bracket for threaded barrel sensors; material: Stainless steel A2 1.4301 (AISI 304)



BSS-08

6901322

Mounting clamp for smooth and threaded barrel sensors; material: Polypropylene



MBS80

69479

Mounting clamp for smooth barrel sensors; mounting block material: Anodized aluminum

