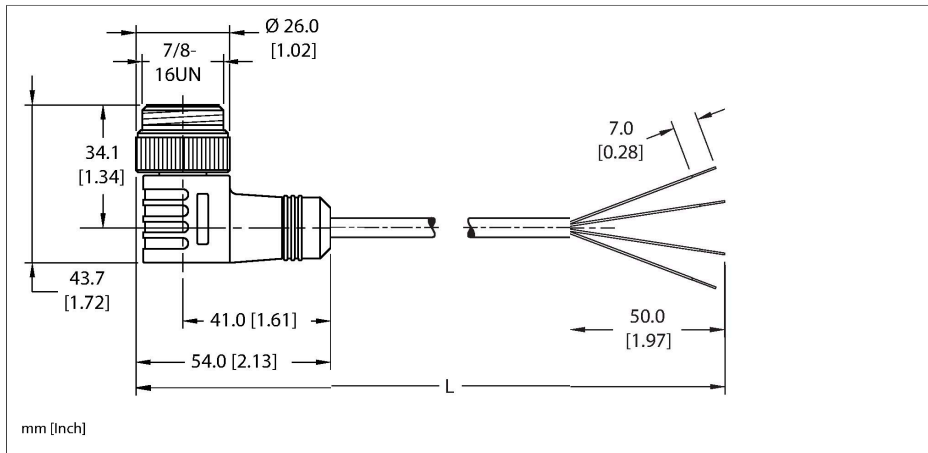


WSM 46-xM/S600

Actuator and Sensor Cordset – Connection Cable

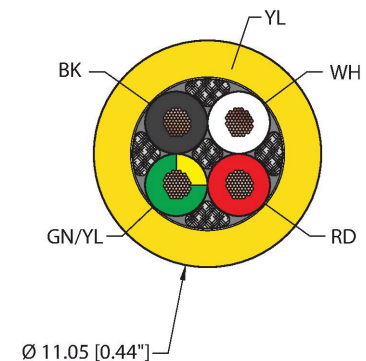


Features



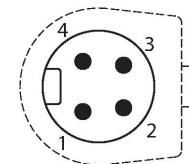
- 7/8", Male, Right-angle, 4-pin
- Flexible Service Cable
- Yellow CPE jacket, 4X16 AWG
- Sunlight Resistant
- -50 Cold Bend Rating
- Oil Resistant
- Flame Ratings: UL 1060, CSA FT1

Cable cross section



Contact assignment

Connector A



Circuit Diagram



Technical data

Type	WSM 46-xM/S600
ID	777004083
Special version	S600 = durable rubber cable jacket and conductor insulation
Connector A	Male, 7/8"-16 UN, Right angle
Number of contacts	4
Contacts	Brass, CuZn, Gold-plated
Contact carriers	Plastic, TPU, Yellow
Connector body	Plastic, TPU, Yellow
Coupling nut	Brass, CuZn, Nickel-plated
Mechanical life	> 100 Mating cycles
Pollution degree	3
Protection class (When coupled)	IP67, IP68, IP69, IP69K
	NEMA: 1, 3, 4, 6P, 12
Cable data	
Cable ID	RF50595
Total number of conductors	4
Cable diameter	Ø 11.05 mm
Cable jacket	CPE, Yellow
Conductor diameter	0.12 "
Conductor material	TC (tinned copper)
Conductor insulation material	EPDM
Conductor size	4 x 16 AWG [Similar to 1.50 mm ²]
Number of strands x O.D.	65 x 34 AWG
Conductor colors	BK, WH, RD, GN/YE

Technical data

Electrical properties at +20 °C	
Rated voltage	600 V
Current	10 A
Mechanical and chemical properties	
Bending radius (static)	≥ 5 x Ø
Bending radius (dynamic)	≥ 10 x Ø
UL cold bend rating	-40 °C
Ambient temperature range (static)	-40 °C...+105 °C
Ambient temperature range (dynamic)	5 °C...+105 °C
Temperature range (installation)	-10 °C...+105 °C
Approval	
Approvals	UL 2238 CSA C22.2 No. 182.3 CE UKCA RoHS
Note	
	- Flex ratings may be reduced if used in extreme temperatures, exposure to certain chemicals, operating above the rated cycle speed, or operating below the rated cable bend radius.
	- We reserve the right to make technical alterations without prior notice.