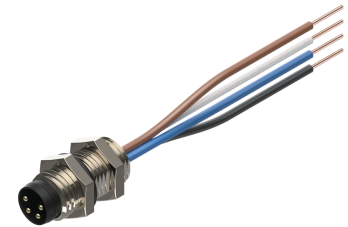
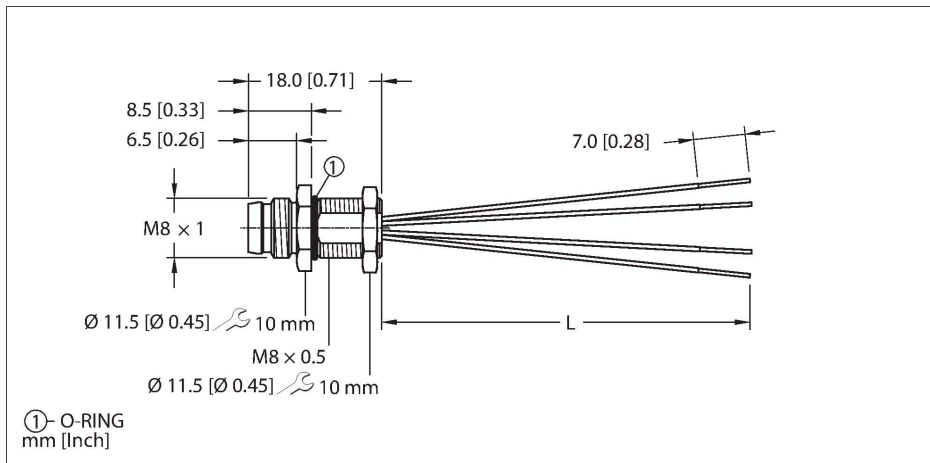


MFSS 4-x

Actuator and Sensor Receptacle – Front Mount

Threaded or Snap Connection



Technical data

Type	MFSS 4-x
ID	777009656
Connector A	Male, M8 x 1
Design specification	Acc. to IEC 61076-2-104
Number of contacts	4
Contacts	Brass, CuZn, Gold-plated
Contact carriers	Plastic, TPU, Black
Housing material/finish	Brass, CuZn, Nickel-plated
Tightening torque (range)	0.4 ... 0.8 Nm (note max. torque of mating connector!)
Mounting orientation	Front mount
Panel seal	O-ring, plastic, NBR
Mounting thread	M8 x 0.5
Locknut	Brass, CuZn, Nickel-plated
Receptacle mounting torque	1.4 ... 5.4 Nm
Mechanical life	> 100 Mating cycles
Pollution degree	3
Protection class (When coupled)	IP67
	NEMA: 1, 3, 4, 6P
Cable data	
Total number of conductors	4
Conductor material	TC (tinned copper)
Conductor insulation material	PVC

Features



- M8, Male, 4-pin
- Mounting thread: M8 x 0.5

Contact assignment

Connector A



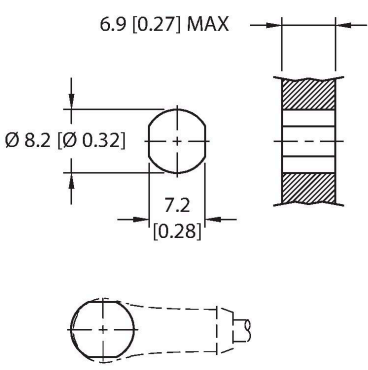
Circuit Diagram



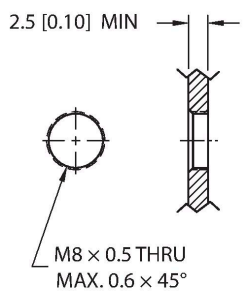
Technical data

Conductor size	24 AWG [Similar to 0.25 mm ²]
Conductor colors	BN, WH, BU, BK
Electrical properties at +20 °C	
Rated voltage	125 VAC/DC
Current	4 A
Mechanical and chemical properties	
Ambient temperature range (static)	-40 °C...+105 °C
Approvals	UL 2238 CSA C22.2 No. 182.3 CE UKCA RoHS
Note	
- We reserve the right to make technical alterations without prior notice.	

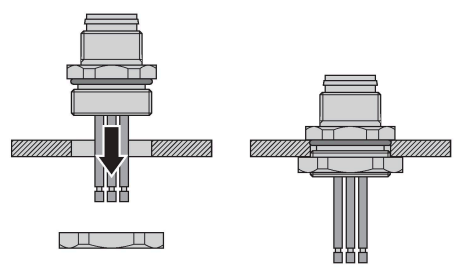
Mounting hole - Through



Mounting hole - Threaded



Front panel mounting



MFSS 4-x | 06/07/2023 08-44 | technical changes reserved