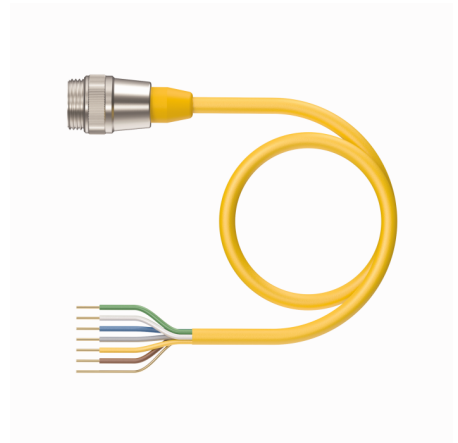
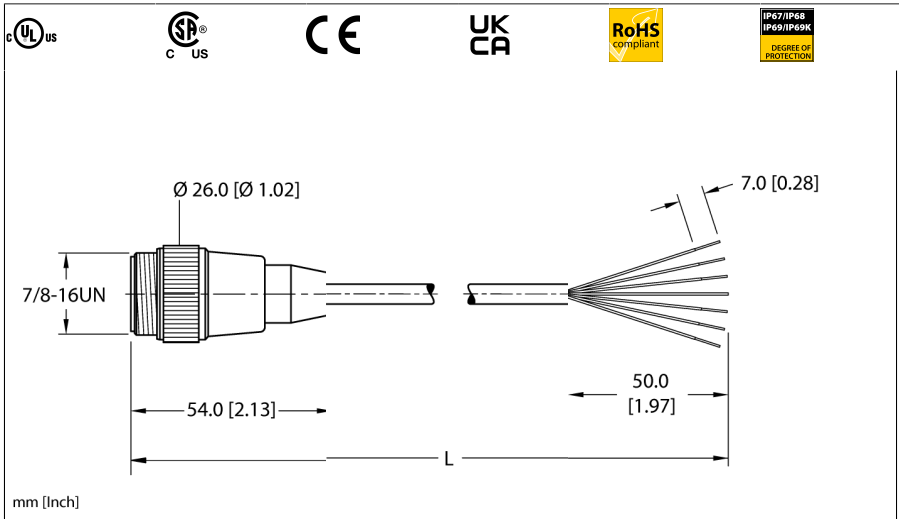


Actuator and Sensor Cordset Connection Cable RSM 61-xM/S739



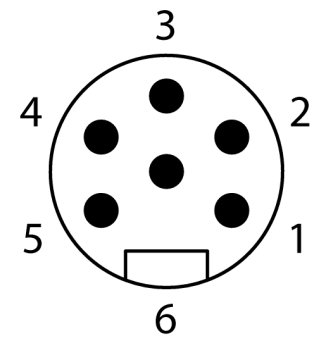
- 7/8" Male, Straight, 6-pin
- Instrumentation Tray Cable
- Yellow PVC jacket, shielded, 7X18 AWG
- Sunlight Resistant
- -40 Cold Bend Rating
- Oil Resistant
- Flame Ratings: UL 1685 FT4, UL1061, CSA FT4

| | |
|------|----------------|
| Type | RSM 61-xM/S739 |
| ID | 777009674 |

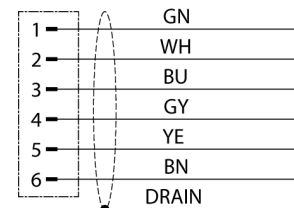
| | |
|---------------------------------|----------------------------|
| Connector A | Male, 7/8"-16 UN, Straight |
| Number of contacts | 6 |
| Contact carriers | Plastic, TPU, Black |
| Connector body | Plastic, TPU, Yellow |
| Coupling nut | Brass, CuZn, Nickel-plated |
| Mechanical life | > 100 Mating cycles |
| Pollution degree | 3 |
| Protection class (When coupled) | IP67, IP68, IP69, IP69K |
| | NEMA: 1, 3, 4, 6P, 12 |

| | |
|-------------------------------|---|
| Cable data | |
| Cable ID | RF50637 |
| Total number of conductors | 7 |
| Cable diameter | Ø 8.38mm |
| Cable jacket | PVC, Yellow |
| Shield | Aluminum/polyester (IN) |
| Cable drain | 20 AWG, TC (Tinned Copper) |
| Conductor diameter | 0.076 " |
| Conductor material | TC (tinned copper) |
| Conductor insulation material | PVC |
| Conductor size | 7 x 18 AWG [Similar to 0.75 mm ²] |
| Number of strands x O.D. | 19 x 0.0092" |
| Conductor colors | GN, WH, BU, GY, YE, BN |

| | |
|---------------------------------|-------|
| Electrical properties at +20 °C | |
| Rated voltage | 600VV |
| Current | 8AA |



Circuit Diagram



Mechanical and chemical properties

| | |
|-------------------------------------|------------------------------|
| Bending radius (static) | $\geq 5 \times \varnothing$ |
| Bending radius (dynamic) | $\geq 15 \times \varnothing$ |
| UL cold bend rating | -40 °C |
| Ambient temperature range (static) | -40°C...+105°C°C |
| Ambient temperature range (dynamic) | 5°C...+105°C°C |
| Temperature range (installation) | -10°C...+105°C °C |

Approval**Note**

- Flex ratings may be reduced if used in extreme temperatures, exposure to certain chemicals, operating above the rated cycle speed, or operating below the rated cable bend radius.

- We reserve the right to make technical alterations without prior notice.