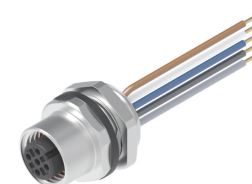
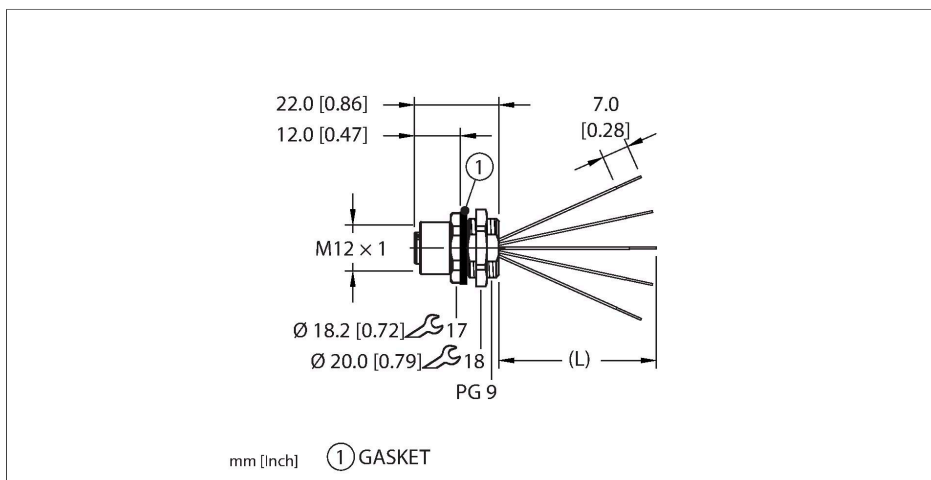


EFKBG-A5.500.8-x

Actuator and Sensor Receptacle – Front Mount



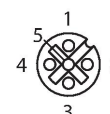
Features



- M12, Female, Receptacle, Front mount, 5-pin
- Mounting thread: PG9

Contact assignment

Connector A



Circuit Diagram

1	BN
2	WH
3	BU
4	BK
5	GY

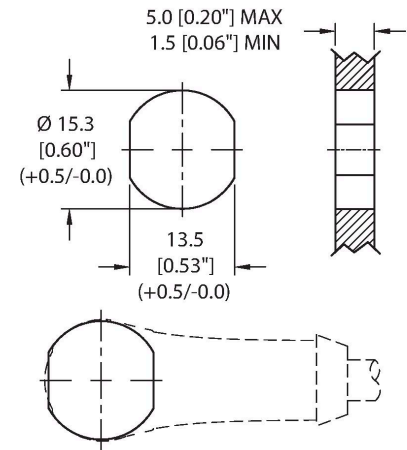
Technical data

Type	EFKBG-A5.500.8-x
ID	777042053
Replaces	FK 4.5-x/S613
Connector A	Female, M12 × 1, A-code
Design specification	Acc. to IEC 61076-2-101
Number of contacts	5
Contacts	Bronze, CuSn, Gold-plated
Contact carriers	Plastic, TPU, Black
Connector seal	O-ring, Plastic, FKM/FPM
Housing material/finish	Brass, CuZn, Nickel-plated
Tightening torque (range)	0.4 ... 1.8 Nm (note max. torque of mating connector!)
Mounting orientation	Front mount
Panel seal	Gasket, NBR
Mounting thread	PG9
Locknut	Brass, CuZn, Nickel-plated
Receptacle mounting torque	2.5...6.8 Nm
Mechanical life	> 100 Mating cycles
Pollution degree	3
Protection class (When coupled)	IP67, IP68, IP69, IP69K NEMA: 1, 3, 4, 6P, 12
Total number of conductors	5
Conductor material	TC (tinned copper)
Conductor insulation material	PVC

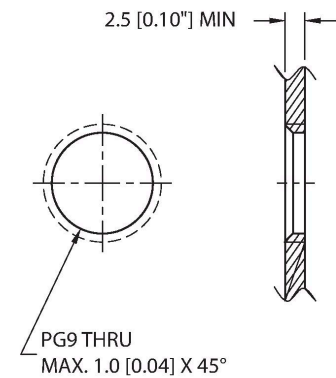
Technical data

Conductor size	18 AWG [Similar to 0.75 mm ²]
Conductor colors	BN, WH, BU, BK, GY
Electrical properties at +20 °C	
Rated voltage	250 V _{AC} /300 V _{DC}
Current	5 A
Mechanical and chemical properties	
Ambient temperature range (static)	-40 °C...+105 °C
Approvals	UL 2238 CSA C22.2 No. 182.3 CE UKCA RoHS
Note	
- We reserve the right to make technical alterations without prior notice.	

Mounting hole - Through



Mounting hole - Threaded



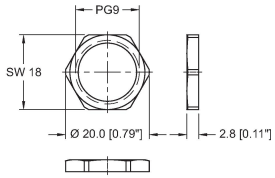
Front panel mounting



Accessories

LOCKNUT-PG9-BRASS-(10/BAG)

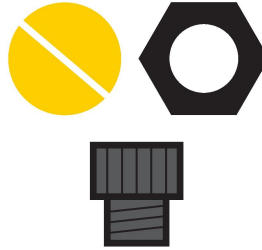
100016624



Locknut, PG9, Brass, Nickel-plated, 10 per bag

FK(S)FD-TOOL

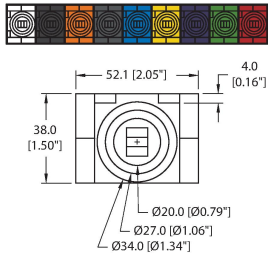
A2550



Tool, knockout hole punch, receptacle-mounting hole. Accommodates PG9 threads.

DECAL,9-CLRS,RECEPT+BOXES,EURO(QTY1)

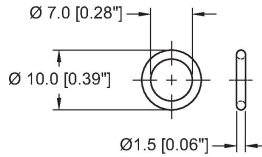
100008955



1 decal sticker containing 9 different color sets of 11 decals to color code a sensor, junction block port, cable end, or receptacle. 5ct 4x9mm rectangles, 4ct 8x19mm rectangles, 1ct 27mm ID ring, 1ct 20mm ID ring.

ORING-Ø7x1.5-M12-(10/BAG)

100024937

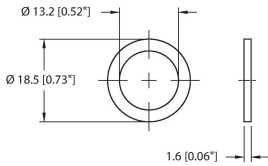


10 pack of Ø7x1.5 FKM O-rings for female M12 connectors

Accessories

M12-GASKET-PG9,M16,1/4NPT-(10/BAG)

100015009



Gasket, Black NBR, Fits PG9, M16 and 1/4NPT mounting threads, 10 per bag