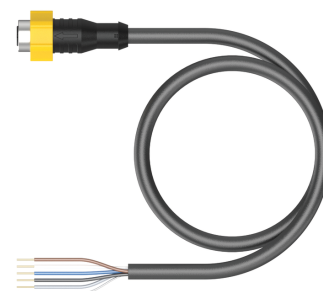
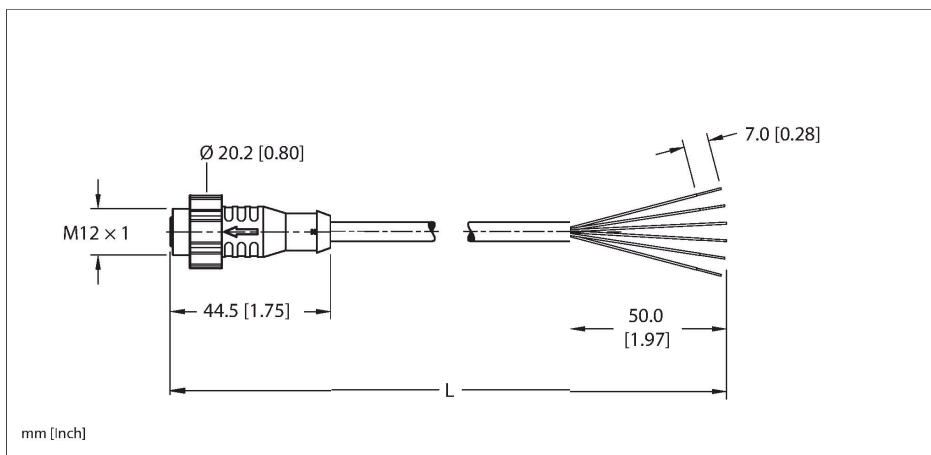


EKRT-A5.500-DC2K-x

Actuator and Sensor Cordset – Connection Cable



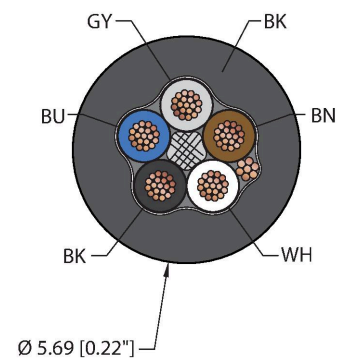
Technical data

| | |
|---------------------------------|---|
| Type | EKRT-A5.500-DC2K-x |
| ID | 777046364 |
| Replaces | RK 4.5T-x/S618 |
| Connector A | Female, M12 × 1, Straight, A-code |
| Design specification | Acc. to IEC 61076-2-101 |
| Number of contacts | 5 |
| Contacts | Bronze, CuSn, Gold-plated |
| Contact carriers | Plastic, Nylon or TPU, Black |
| Connector body | Plastic, TPU, Black |
| Coupling nut | Brass, CuZn, Nickel-plated |
| Connector seal | O-ring, Plastic, FKM/FPM |
| Torque sleeve | Plastic, PA, Yellow |
| Tightening torque (range) | 0.4 ... 1.8 Nm (note max. torque of mating connector!) |
| Mechanical life | > 100 Mating cycles |
| Pollution degree | 3 |
| Protection class (When coupled) | IP67, IP68, IP69, IP69K NEMA: 1, 3, 4, 6P, 12 |
| Cable data | |
| Cable ID | RF50794 |
| Total number of conductors | 5 |
| Cable diameter | Ø 5.69 mm |
| Cable jacket | PVC, Black |
| Shield | Aluminum/polyester (IN) |
| Cable drain | 24 AWG, TC (Tinned Copper) |

Features

-
- M12, Female, Straight, 5-pin, Torque sleeve
- Instrumentation Tray Cable
- Black PVC jacket, shielded, 5X22 AWG
- Sunlight Resistant
- -40 Cold Bend Rating
- Oil Resistant
- Flame Ratings: UL 1685 FT4, UL1061, CSA FT4

Cable cross section



Contact assignment

Technical data

| | |
|-------------------------------|---|
| Conductor diameter | 0.054 " |
| Conductor material | TC (tinned copper) |
| Conductor insulation material | PVC |
| Conductor size | 5 x 22 AWG [Similar to 0.34 mm ²] |
| Number of strands x O.D. | 19 x 0.0058 " |
| Conductor colors | BN, WH, BU, BK, GY |

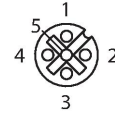
| Electrical properties at +20 °C | |
|---------------------------------|--|
| Rated voltage | 250 V _{Ac} /300 V _{Dc} |
| Current | 4 A |

| Mechanical and chemical properties | |
|-------------------------------------|------------------|
| Bending radius (static) | ≥ 5 x Ø |
| Bending radius (dynamic) | ≥ 15 x Ø |
| UL cold bend rating | -40 °C |
| Ambient temperature range (static) | -40 °C...+105 °C |
| Ambient temperature range (dynamic) | 5 °C...+105 °C |
| Temperature range (installation) | -10 °C...+105 °C |

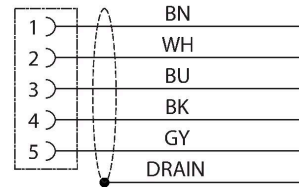
| Approval | |
|-----------|--|
| Approvals | UL 2238 CSA C22.2 No. 182.3 CE UKCA RoHS |

| Note | |
|------|--|
| | - Flex ratings may be reduced if used in extreme temperatures, exposure to certain chemicals, operating above the rated cycle speed, or operating below the rated cable bend radius. |
| | - The torque sleeve can be removed, before or after installation by inserting a small flat screwdriver near the relief by the arrow and prying. |
| | - We reserve the right to make technical alterations without prior notice. |

Connector A



Circuit Diagram



Accessories

M12-TORQUE-SLEEVE,YELLOW(10PACK)

A900167



10 Pack of Yellow Torque Sleeves for the new M12 cordsets. Compatible with male, female, straight and right-angled, stainless steel and nickel-plated brass coupling nuts.

TORQUE-WRENCH-SET-M12/SW13

A900152



Adjustable torque driver to connect to the 13mm hex. Compatible with redesigned M12 cordsets, M12 Power, and M12 X-code. NOT Compatible with legacy M12 cordsets. Includes (1) adjustable torque driver, (1) adjustment tool, and (1) 13mm forked bit.

Accessories

M12-CORDSETS-MOUNTING-CLIP-(10/BAG)

100016882



10 Pack of black mounting clips and M4x8mm mounting screws, used to secure cable to cable connection points.