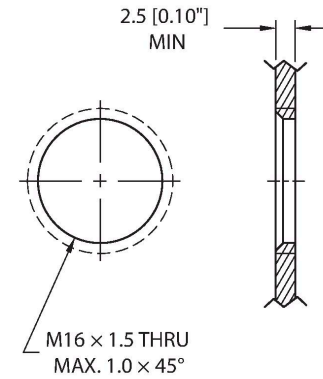


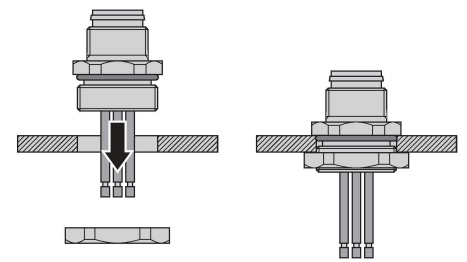
Technical data

Conductor colors	BN, WH, BU, BK, GY
Electrical properties at +20 °C	
Rated voltage	250 V _{AC} /300 V _{DC}
Current	4 A
Mechanical and chemical properties	
Ambient temperature range (static)	-40 °C...+105 °C
Approvals	UL 2238 CSA C22.2 No. 182.3 CE UKCA RoHS
Note	
- We reserve the right to make technical alterations without prior notice.	

Mounting hole - Threaded



Front panel mounting



Accessories

LOCKNUT-M16-316SS-(10/BAG) 100024936
 Locknut, M16, Brass, 316 Stainless Steel, 10 per bag

DECAL,9-CLRS,RECEPT+BOXES,EURO(QTY1) 100008955

1 decal sticker containing 9 different color sets of 11 decals to color code a sensor, junction block port, cable end, or receptacle. 5ct 4x9mm rectangles, 4ct 8x19mm rectangles, 1ct 27mm ID ring, 1ct 20mm ID ring.

Accessories

M12-GASKET-PG9,M16,1/4NPT-(10/BAG) 100015009
 Gasket, Black NBR, Fits PG9, M16 and 1/4NPT mounting threads, 10 per bag

EFSVM-A5.500.2-x | 06/07/2023 09-30 | technical changes reserved